

TK800

Digital Projector



Features

- True 4K UHD 8.3 Million Pixels Resolution with XPR Technology
- Hyper-Realistic Video Quality with Projector-Optimized HDR
- Vivid Colors and High Brightness in Bright Rooms or Outside
- Dedicated Modes for Football & Sports
- Auto Vertical Keystone Correction



Product Specifications

Projection System	DLP	
DMD type	0.47"	
Native Resolution	3840 x 2160 (4K UHD)	
Brightness	3000 ANSI Lumens	
Contrast Ratio *	10000 : 1	
Display Color	30 Bits (1,07 billion colors)	
Aspect Ratio	Native 16 : 9 (6 aspect ratios selectable)	
Light Source **	240W Lamp	
Light Source life *** (Normal / Eco / SmartEco / LampSave)	4000 / 10000 / 8000 / 15000 hours	
Throw Ratio	1.47 - 1.76 (100" @ 3.25 m)	
Zoom Ratio	1.2x	
Interface	HDMI 1 (HDMI 2.0 & HDCP 2.2)	x 1
	HDMI 2 (HDMI 1.4a & HDCP 1.4)	x 1
	Computer Input 1 (D-sub 15pin, Female)	x 1
	USB Type A (1.5A power)	x 1
	USB Type mini B (Service)	x 1
	Audio Input (mini jack)	x 1
	Audio Output (mini jack)	x 1
	RS232 Input (D-sub 9pin, Male)	x 1
	DC 12V Trigger (3.5 mm Jack)	x 1
	IR Receiver (Front + Top)	x 1
Keystone Correction	1D, Vertical ± 40 degrees	
Projection Offset ****	110% ± 2.5%	
Projection Size (Clear Focus / Maximum)	60" ~ 200" / 300"	
Built-in Speaker	5W x 1	
Security	Security Bar	
Features	4K UHD, HDR10, Football Mode, AutoKeystone, Short Throw Lens (100" @3.25m)	
Resolution Support *****	VGA (640 x 480) to 4K UHD (3840 x 2160)	
Horizontal Frequency	15K-102KHz	
Vertical Scan Rate	23-120Hz	
HDTV Compatibility	480i, 480p, 576i, 576p, 720p, 1080i, 1080p, 2160p	
Power Consumption (Max / Normal / Eco)	385W / 330W / 250W	
Standby Power Consumption	0.5W Max. at 100 ~ 240VAC	
Power Supply	VAC 100 ~ 240 (50/60Hz)	
Product Dimensions (W x H x D)	353 mm x 135 mm x 272 mm	
Product Weight	4.2 kg	
Noise Level (Normal / Eco)	33dBA / 29dBA	
Operating Temperature	0~40 degrees (Celsius)	
Accessories	Standard	Optional
	Remote Control with Battery (RCV015)	Spare Lamp Kit
	Power Cord	Ceiling Mount
	User Manual CD	Wireless FHD Kit
	Quick Start Guide	QCast Mirror
	Warranty Card (by region)	DLP 3D Glasses (GDG5)
	Lens cover	Carry Bag (5J)4N09.00)
On Screen Display Language	28 Languages	

* The Contrast is measured by Full On Full Off standard.

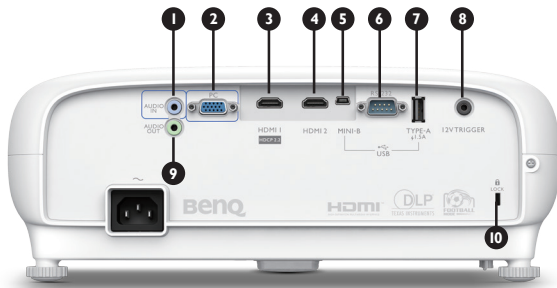
** Lamp in this product contains mercury. To dispose of the product or used lamps, consult your local environment authorities for regulations or see www.lamprecycle.org.

*** Lamp life results will vary depending on environmental conditions and usage. Actual product's features and specifications are subject to change without notice.

**** Offset is calculated by full-screen height.

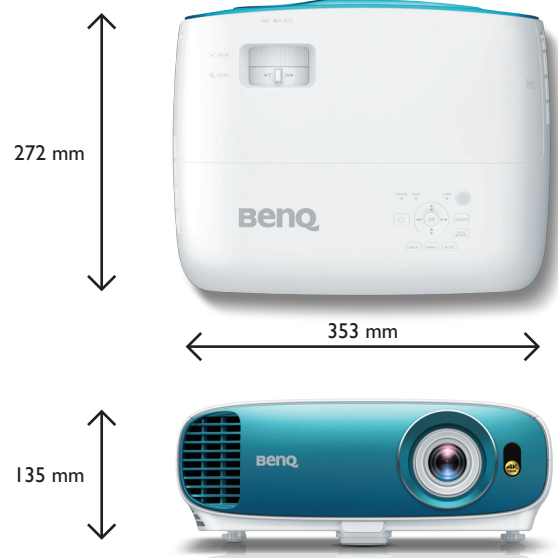
***** Resolution is 1920 x 1080 in 3D Mode.

Input and Output Terminals



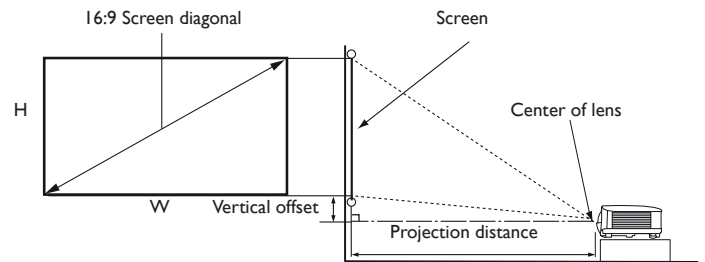
- 1 Audio Input (mini jack)
- 2 Computer Input (D-sub 15pin, Female)
- 3 HDMI 1 (HDMI 2.0 & HDCP 2.2)
- 4 HDMI 2 (HDMI 1.4a & HDCP 1.4)
- 5 USB Type mini B (Service)
- 6 RS232 In (D-sub 9pin, male)
- 7 USB Type A (1.5A power)
- 8 DC 12V Trigger (3.5mm Jack)
- 9 Audio Out (mini jack)
- 10 Kensington anti-theft lock slot

Dimensions



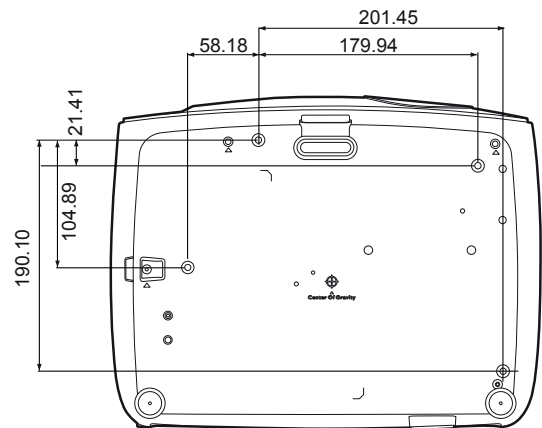
Distance Chart

Screen size				Distance from screen (mm)			Vertical offset (mm)
Diagonal		H	W	Min length (max. zoom)	Average	Max length (min. zoom)	
inch	mm	(mm)	(mm)				
30	762	374	664	976	1073	1169	37
40	1016	498	886	1302	1430	1559	50
50	1270	623	1107	1627	1788	1948	62
60	1524	747	1328	1953	2145	2338	75
70	1778	872	1550	2278	2503	2727	87
80	2032	996	1771	2603	2860	3117	100
90	2286	1121	1992	2929	3218	3507	112
100	2540	1245	2214	3254	3575	3896	125
110	2794	1370	2435	3580	3933	4286	137
120	3048	1494	2657	3905	4290	4676	149
130	3302	1619	2878	4231	4648	5065	162
140	3556	1743	3099	4556	5005	5455	174
150	3810	1868	3321	4881	5363	5844	187
160	4064	1992	3542	5207	5720	6234	199
170	4318	2117	3763	5532	6078	6624	212
180	4572	2241	3985	5858	6436	7013	224
190	4826	2366	4206	6183	6793	7403	237
200	5080	2491	4428	6509	7151	7793	249
210	5334	2615	4649	6834	7508	8182	262
220	5588	2740	4870	7159	7866	8572	274
230	5842	2864	5092	7485	8223	8961	286
240	6096	2989	5313	7810	8581	9351	299
250	6350	3113	5535	8136	8938	9741	311
260	6604	3238	5756	8461	9296	10130	324
270	6858	3362	5977	8787	9653	10520	336
280	7112	3487	6199	9112	10011	10910	349
290	7366	3611	6420	9437	10368	11299	361
300	7620	3736	6641	9763	10726	11689	374



Ceiling Mount Chart

Ceiling mount screw: M4 (Max L = 25 mm; Min L = 20 mm)
Unit: mm



BenQ Europe B.V.

Meerenakkerweg 1-17
5652 AR Eindhoven
The Netherlands
Tel: +31 88 8889200
Fax: +31 88 8889299

BenQ.eu

© 2018 BenQ Corp. Specification may vary by region, please visit your local stores for details.
Actual product's features and specifications are subject to change without notice.
This material may include corporate names and trademarks of third parties which are the properties of the third parties respectively.

BenQ