

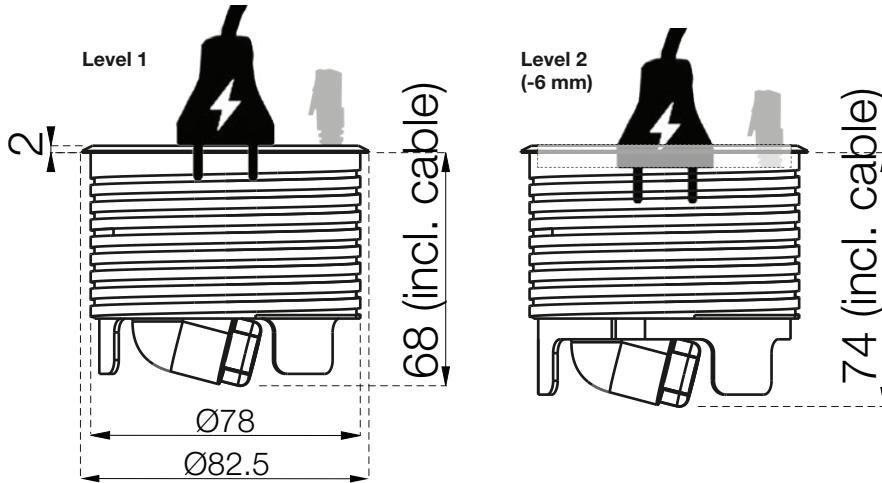


□ 935-PD16W

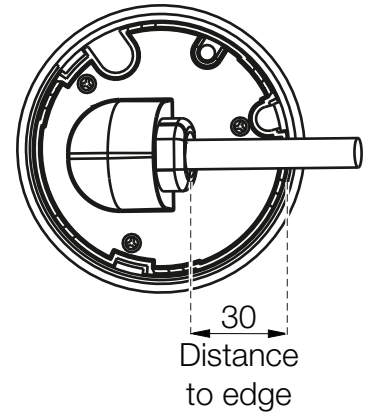
■ 935-PD16

**Powerdot - 1 Schuko, 1 USB/A charger. (5V 2A),  
1 USB/C port, 2 Feed throughs (Ø7, Ø9.5 mm)**

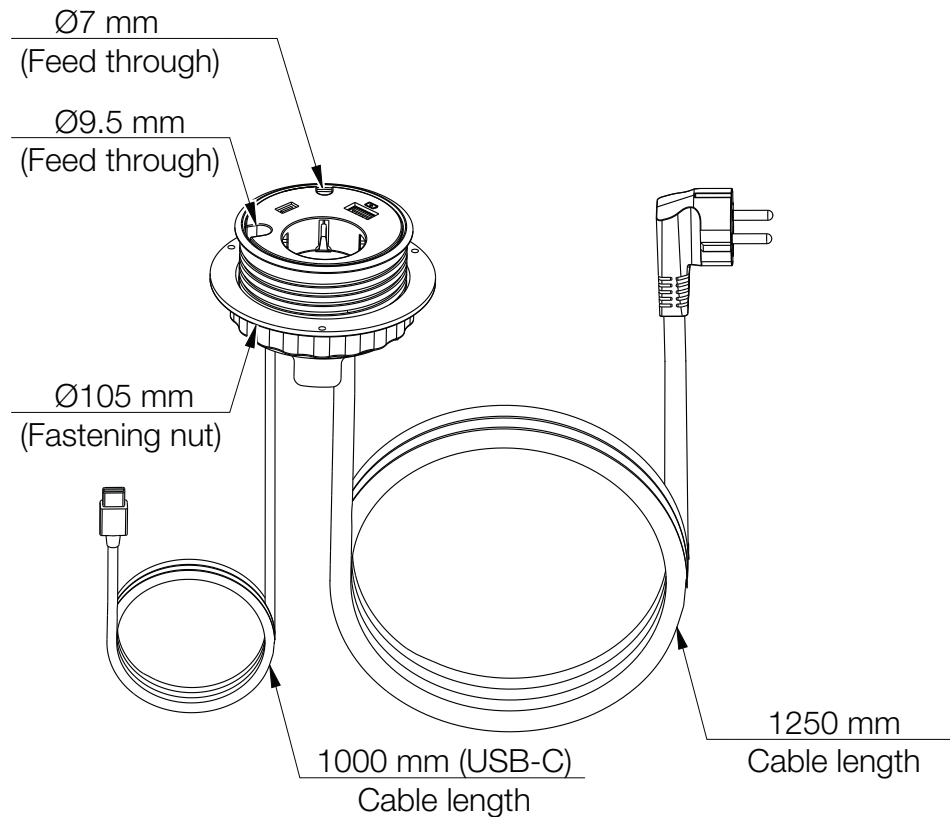
**Front view (Grommet)**



**Bottom view**



**Oriented view (Grommet, nut & cable)**



Maximum table thickness: 30 mm  
Recommended hole cut: Ø79 mm

Revised  
191219