

MAXIMUS MBA

EXPLOSION-PROOF COMMUNICATION BOX IN ALUMINIUM



- **Certifications for use in Zones 1 and 2, IIC T5 or T6 Group (Gas) and in Zones 21 and 22, IIIC T100°C or T85°C Group (Dust)**
- **Copper-free marine grade aluminium construction, RAL 9006 external epoxy paint**
- **Designed to work exclusively with Videotec products and accessories**

CERTIFICATIONS



PERFECT INTEGRATION WITH CONTROL SYSTEMS

MAXIMUS MBA is much more than just a simple explosion-proof junction box. In fact it is defined as a communication box equipped with everything needed to connect one or more IP or analog cameras.

MAXIMUS MBA has been designed to integrate and work exclusively with the MAXIMUS range of Videotec products.

MAXIMUS MBA provides a local, low-voltage power supply. It also allows a Fast Ethernet connection, thanks to an integrated Ethernet switch equipped with 3 RJ45 ports and an SFP port for fiber optic connection. The type of SFP module can be chosen according to the installation requirements. The internal spaces are designed to make access to cables easier, and to increase user-friendliness when it comes to connection procedures. The internal board also offers the bypass for analog video signals and for all the inputs and outputs which are present in the Videotec MAXIMUS products.

MAXIMUS MBA has been designed to connect a PTZ camera and its washing kit, or in alternative two fixed cameras and their washing kits.

MAXIMUM RESISTANCE IN THE MOST CRITICAL ENVIRONMENTS

MAXIMUS MBA is built in marine grade aluminium protected by epoxy paint to offer maximum resistance in corrosive environments such as industrial or marine.

MAXIMUS MBA is the complete and competitive solution for professional installation of the Videotec MAXIMUS range of explosion-proof products.

TECHNICAL DATA

MECHANICAL

Copper-free marine grade aluminum construction
RAL 9006 epoxy exterior painting
Fastening holes: 4 x Ø13mm (0.5in)
Cable gland holes: 4 x 3/4" NPT + 2 x 1/2" NPT
External dimensions (WxHxL): 305x228x340mm (12x9x13.5in)
Unit weight: 16.3kg (36lb)

ELECTRICAL

MBA works with all MAXIMUS products in 24Vac.

Maximum power output: 120W

Input voltages available:

- 230Vac, 50/60Hz
- 24Vac, 50/60Hz
- 120Vac, 50/60Hz

Possible system configurations:

- up to 1 PTZ + 1 wash system
- up to 2 Cameras + 2 wash systems

NETWORK

4 channels unmanaged ethernet switch:

- 3 RJ45 ports
 - Ethernet connection: 10BASE-T/100BASE-T
- 1 SFP port (SMALL FORM FACTOR PLUGGABLE)
 - Ethernet connection: 100BASE-FX
 - Supply voltage: 3.3V
 - Standard: MSA compliant

The SFP module (not supplied by Videotec) must meet the following requirements:

- Laser: Class 1, complies with EN60825-1
- UL/IEC 60950-1 or 62368-1 Certification

ANALOGUE VIDEO

2 bypass for analog video signals with BNC connectors

I/O INTERFACE

2 bypass for I / O signals with multi-pin connectors

ENVIRONMENT

For indoors and outdoors installation

Installation temperature: from -60°C (-76°F) up to +80°C (+176°F) (T5) or +60°C (140°F) (T6)

Operating temperature: from -40°C (-40°F) up to +70°C (158°F)

Relative humidity: from 5% up to 95%

CERTIFICATIONS

Electrical safety (CE): EN60950-1, IEC60950-1, EN62368-1, IEC62368-1

Electromagnetic compatibility (CE): EN50130-4, EN55032 (Class B), EN61000-6-4

Electromagnetic compatibility (North America): FCC part 15 (Class B), ICES-003 (Class B)

IP protection degree (EN60529): IP66

CERTIFICATIONS - EXPLOSION-PROOF APPLICATIONS

ATEX (EN 60079-0, EN 60079-1, EN 60079-31)

IECEX (IEC 60079-0, IEC 60079-1, IEC 60079-31)

EAC Ex (TR CU 012/2011)

For further details on certifications and markings, consult the relevant table.

ACCESSORIES

| | |
|---------------|--|
| OCTEXBA3/4P | Barrier cable gland in nickel-plated brass EX 3/4" NPT, armoured cable IECEX-ATEX-EAC Ex |
| OCTEXBA1/2P | Barrier cable gland in nickel-plated brass EX 1/2" NPT, armoured cable IECEX-ATEX-EAC Ex |
| OCTEXB3/4P | Barrier cable gland in nickel-plated brass EX 3/4" NPT, unarmoured cable IECEX-ATEX-EAC Ex |
| OCTEXB1/2P | Barrier cable gland in nickel-plated brass EX 1/2" NPT, unarmoured cable IECEX-ATEX-EAC Ex |
| OEXPLUG3/4P | Plug EX 3/4" NPT IECEX-ATEX-EAC Ex |
| OEXPLUG1/2P | Plug EX 1/2" NPT IECEX-ATEX-EAC Ex |
| OCTEX1/2-3/4P | Cable glands reduction in nickel-plated brass Ex 3/4" - 1/2" NPT IECEX-ATEX-EAC Ex |

For further details about cable glands part numbers, please refer to the relevant table.

RELATED PRODUCTS

| | |
|-------------------|--|
| MAXIMUS MHX | Ex-proof stainless steel housing |
| MAXIMUS MHXT | Ex-proof stainless steel housing for thermal cameras |
| MAXIMUS MMX | Ex-proof FULL HD camera in a compact design |
| MAXIMUS MPX | Ex-proof PTZ Day/Night camera |
| MAXIMUS MPXT | Dual vision PTZ with Day/Night and thermal cameras |
| MAXIMUS MPXHD | Explosion-proof Full HD PTZ camera |
| MAXIMUS MPX DELUX | Explosion-proof Full HD PTZ camera |
| MAXIMUS MVX | Ex-proof Day/Night camera |
| MAXIMUS MVXT | Ex-proof thermal camera |
| MAXIMUS MVXHD | Ex-proof FULL HD camera |
| MAXIMUS MVX DELUX | Ex-proof FULL HD camera |
| WASEX | Washer pump with ex-proof solenoid valve |

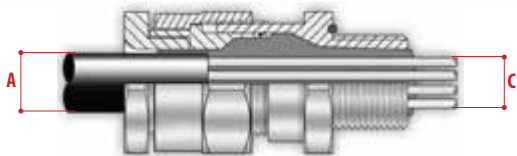
*MAXIMUS MBA can only be installed with the products of the MAXIMUS line.

PACKAGE

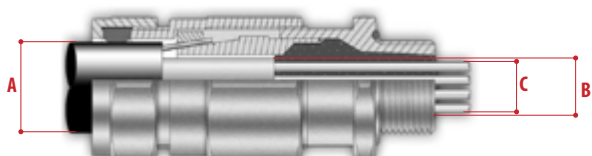
| Model Number | Weight | Dimensions (WxHxL) | Master carton |
|--------------|-------------|-------------------------|---------------|
| MBA155A | 20kg (44lb) | 66x33x57cm (26x13x22in) | - |

CABLE GLANDS AND ACCESSORIES 1/2" NPT

| Type | Certification | Operating temperature | Cable | Model Number | Maximum diameter of the external sheath (A) | Maximum diameter of the internal sheath (B) | Maximum diameter of the conductors bundle (C) |
|---------------------|-------------------|-----------------------------------|------------------|--------------|---|---|---|
| Barrier cable gland | IECEX/ATEX/EAC Ex | -60°C (-76°F) / +135°C (+275°F) | Unarmoured cable | OCTEXB1/2P | 14.0mm (0.55in) | - | 12.5mm (0.5in) |
| | | | Armoured cable | OCTEXBA1/2P | 15.5 - 21.1mm (0.61-0.83in) | 14mm (0.6in) max | 12.5mm (0.5in) |
| Plug EX 1/2"NPT | IECEX/ATEX/EAC Ex | -100°C (-148°F) / +400°C (+752°F) | - | OEXPLUG1/2P | - | - | - |



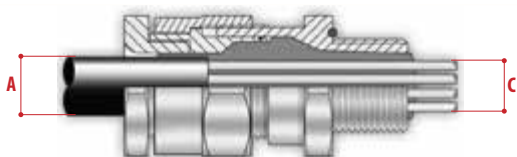
Barrier cable gland with unarmoured cable



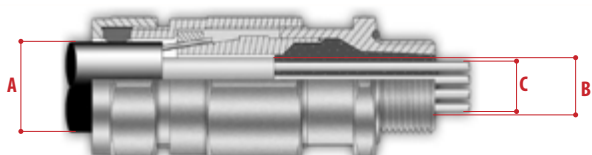
Barrier cable gland with armoured cable

CABLE GLANDS AND ACCESSORIES 3/4" NPT

| Type | Certification | Operating temperature | Cable | Model Number | Maximum diameter of the external sheath (A) | Maximum diameter of the internal sheath (B) | Maximum diameter of the conductors bundle (C) |
|-------------------------|-------------------------------|---------------------------------|------------------|--------------|---|---|---|
| Barrier cable gland | IECEX/ATEX/EAC Ex | -60°C (-76°F) / +135°C (+275°F) | Unarmoured cable | OCTEXB3/4P | 20.0mm (0.78in) | - | 17.8mm (0.7in) |
| | | | Armoured cable | OCTEXBA3/4P | 16.8 - 23.9mm (0.66-0.94in) | 20mm (0.79in) max | 17.8mm (0.7in) |
| Conduit sealing fitting | IECEX-ATEX- c CSA us - EAC Ex | -60°C (-76°F) / +80°C (+176°F) | - | OCTEXP3/4C | - | - | 11.0mm (0.43in) |



Barrier cable gland with unarmoured cable



Barrier cable gland with armoured cable



Conduit sealing fitting

MAXIMUS MBA - CERTIFICATIONS AND MARKINGS

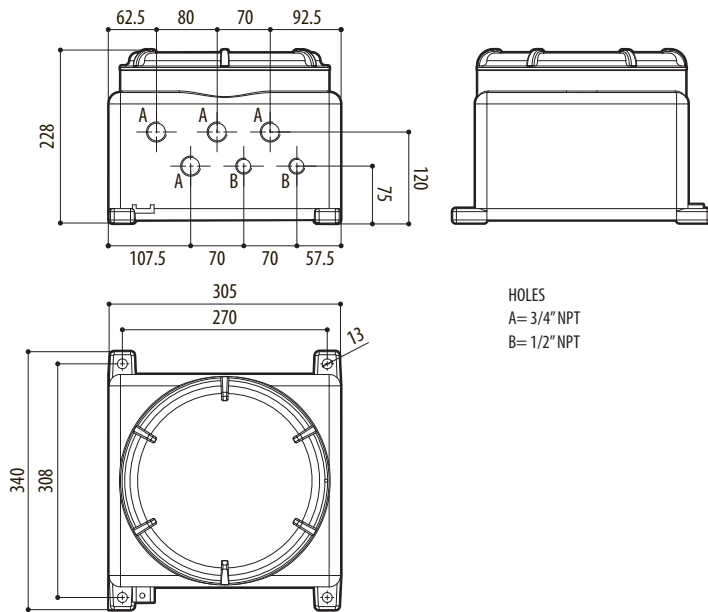
| Certification | Marking | Ambient temperature |
|---------------|--|---------------------|
| ATEX | Ⓜ II 2 G Ex d IICT5 Gb Ⓜ II 2 D Ex tb IIIC T100°C Db IP66 | -60°C ≤ Ta ≤ +80°C |
| | Ⓜ II 2 G Ex d IICT6 Gb Ⓜ II 2 D Ex tb IIIC T85°C Db IP66 | -60°C ≤ Ta ≤ +60°C |
| IECEX | Ex d IICT5 Gb Ex tb IIIC T100°C Db IP66 | -60°C ≤ Ta ≤ +80°C |
| | Ex d IICT6 Gb Ex tb IIIC T85°C Db IP66 | -60°C ≤ Ta ≤ +60°C |
| EAC Ex | 1Ex db IICT5 Gb X Ex tb IIIC T100°C Db X | -60°C ≤ Ta ≤ +80°C |
| | 1Ex db IICT6 Gb X Ex tb IIIC T85°C Db X | -60°C ≤ Ta ≤ +60°C |

MAXIMUS MBA - CONFIGURATION OPTIONS

| | Input voltage | | Temperature class | |
|------------|-----------------|----------|-------------------------|----------|
| MBA | 1 230Vac | S | 5 T5 -60°C/+80°C | A |
| | 2 24Vac | | 6 T6 -60°C/+60°C | |
| | 3 120Vac | | | |

TECHNICAL DRAWINGS

The indicated measurements are expressed in millimetres.



MAXIMUS MBA