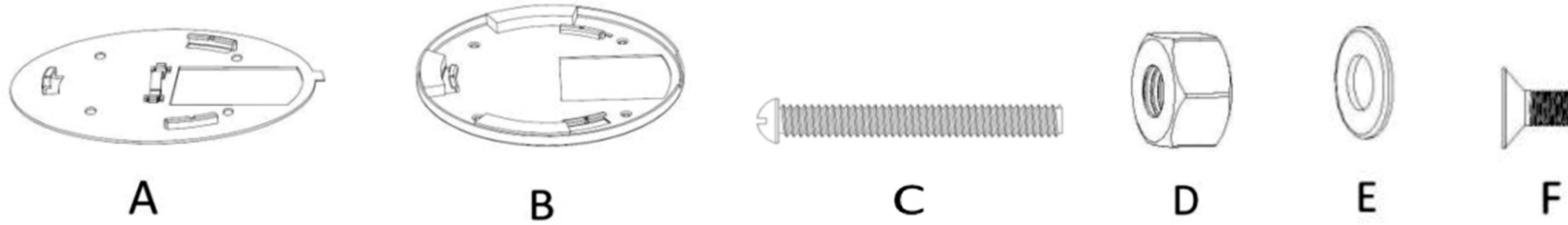
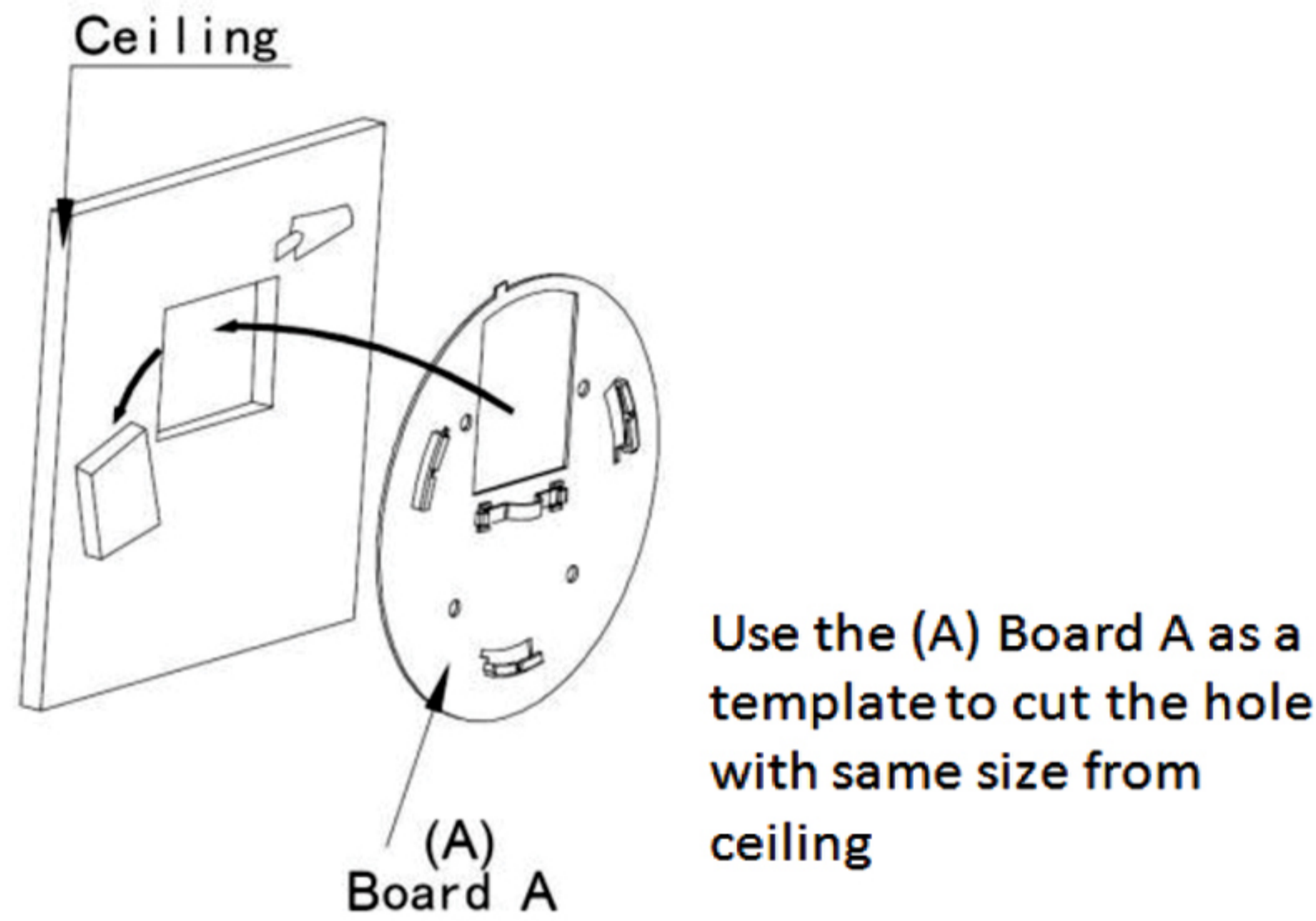


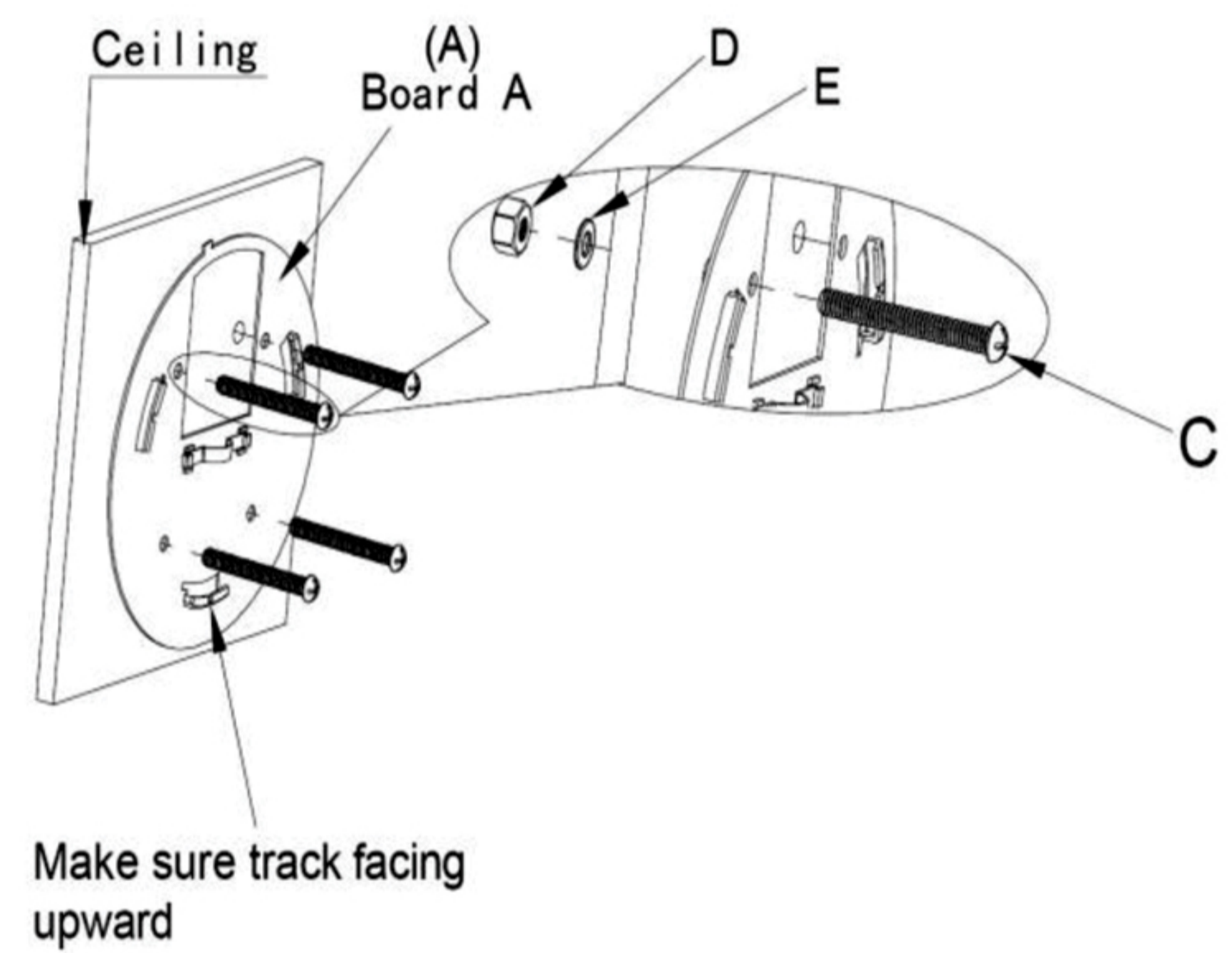
**Hardware List:**



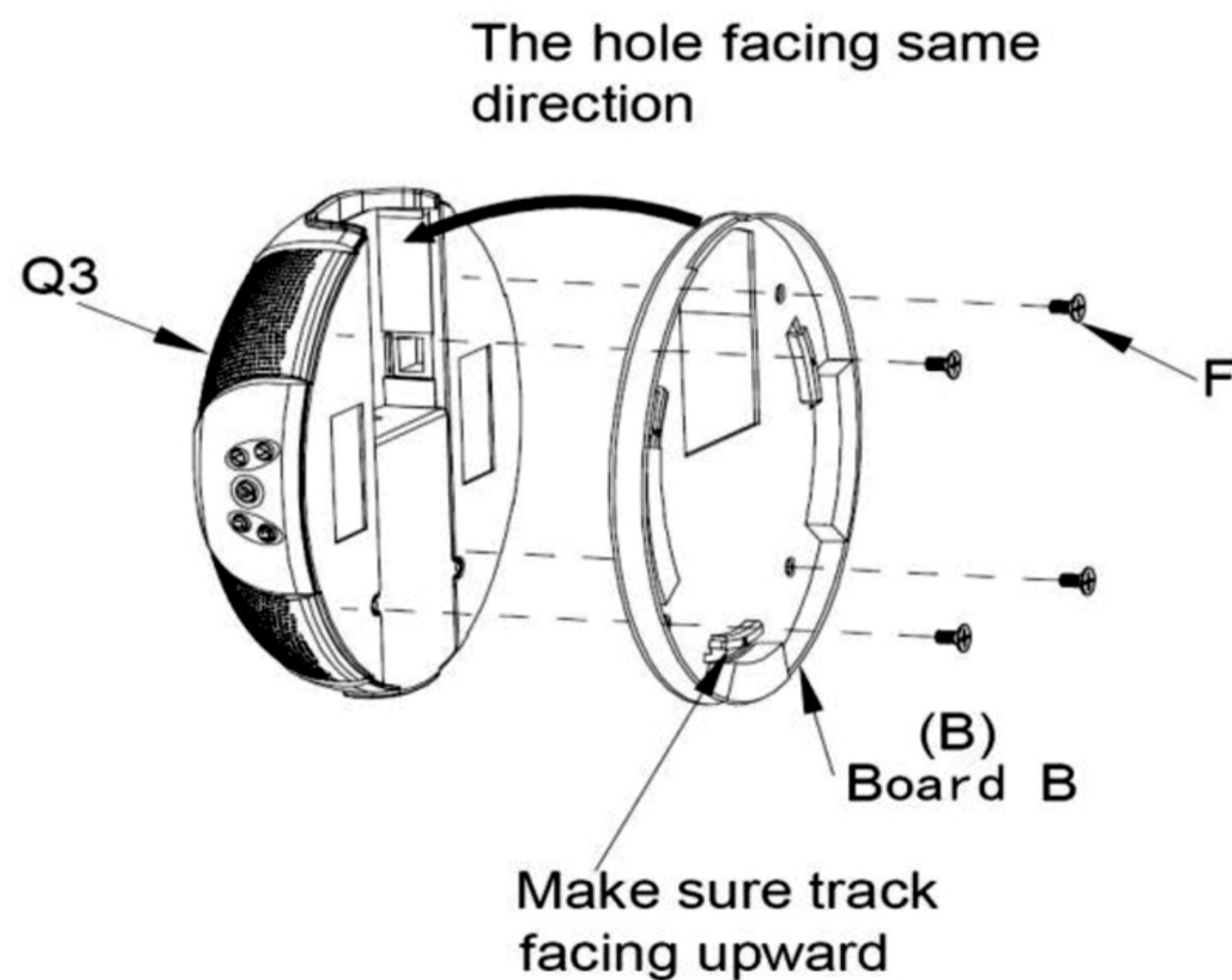
**1. Cutting the hole from ceiling:**



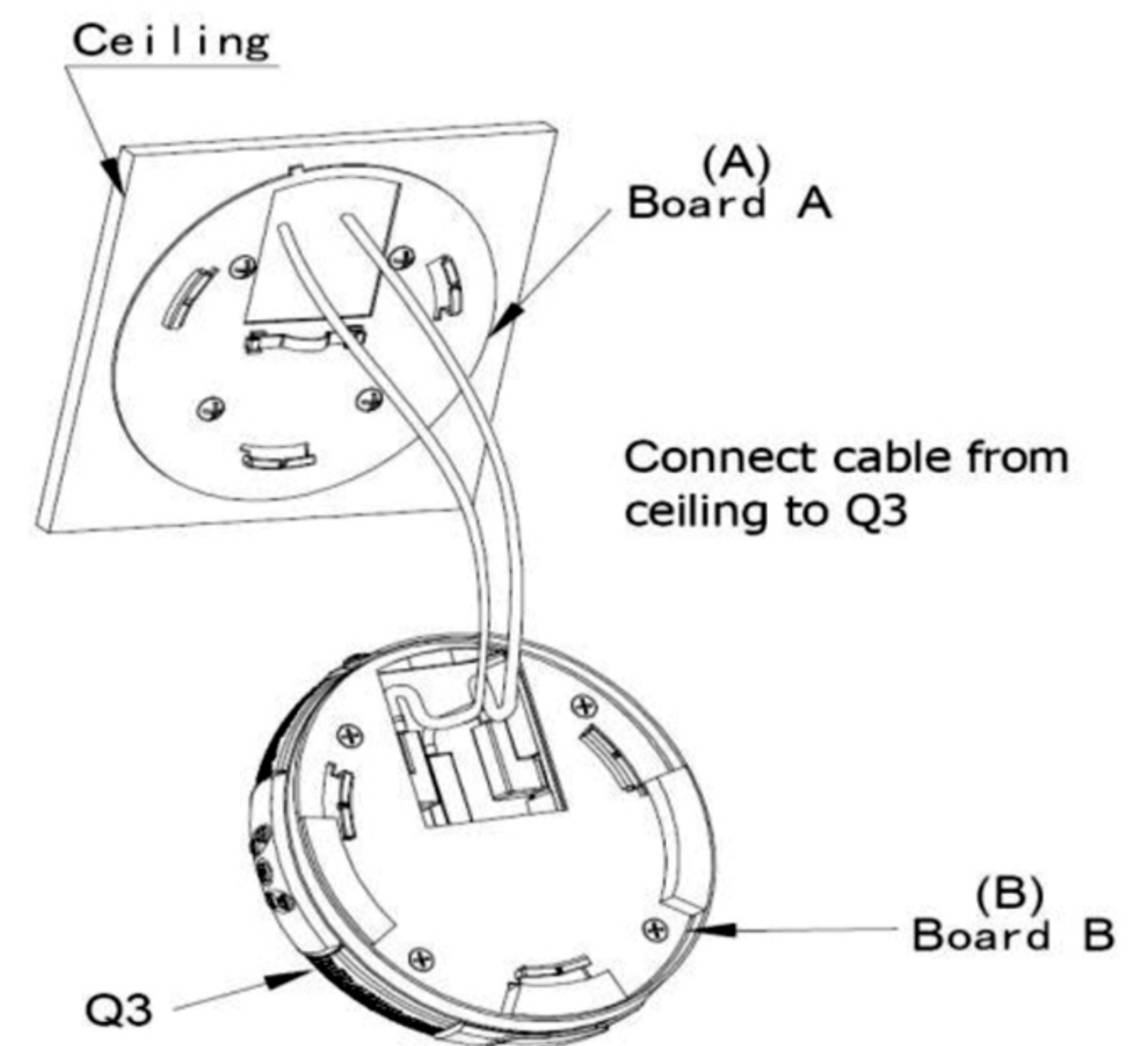
**2. Mounting (A)-board on ceiling:**



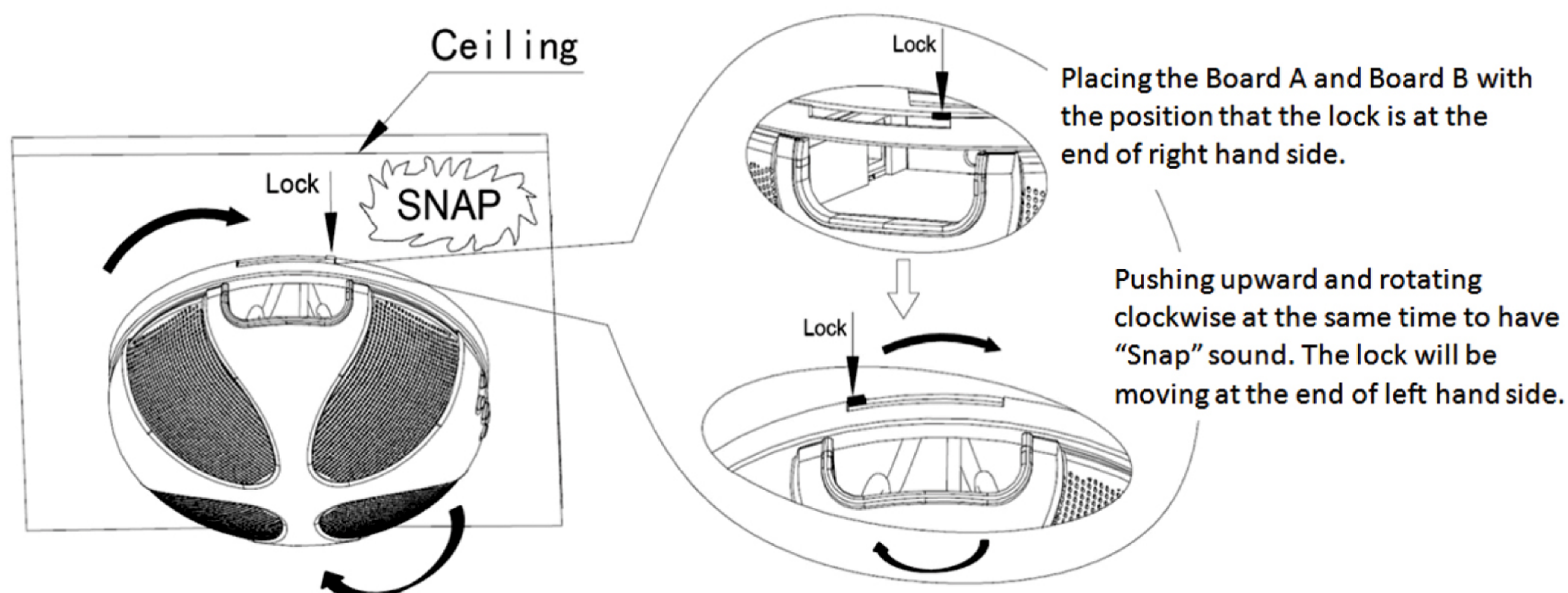
**3. Mounting (B)-board B on Q3:**



**4. Connecting the cable:**



**5. Mounting two boards together - orientation and rotation:**



**Remove from ceiling:** Push upward and rotate counterclockwise on Q3.