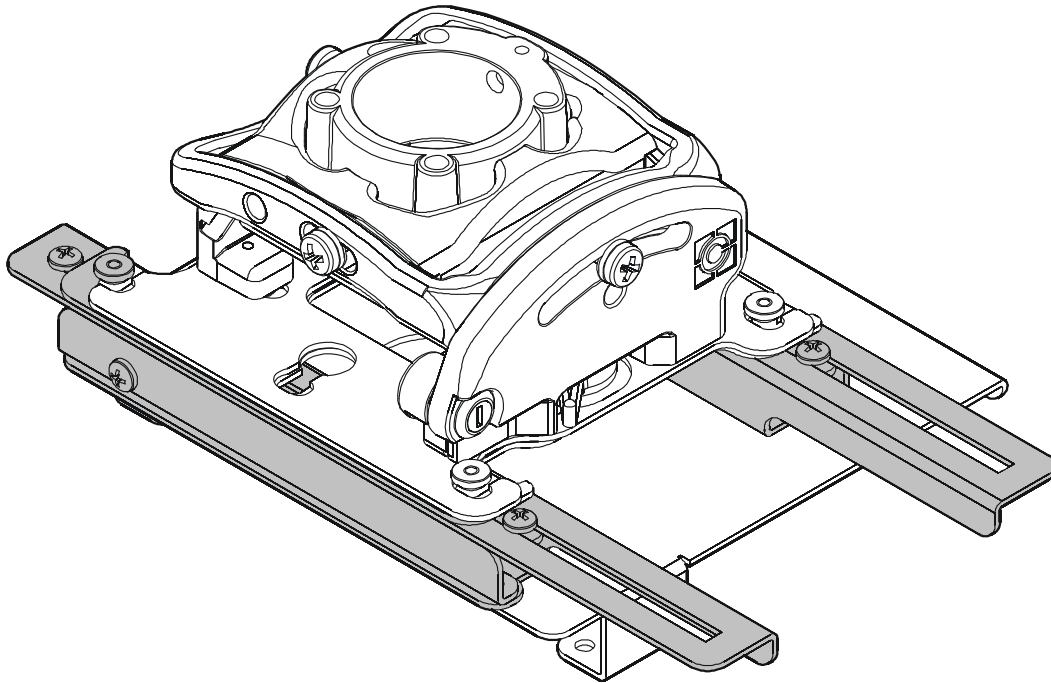

INSTALLATION INSTRUCTIONS




Lateral Shift Bracket Accessory


DISCLAIMER


Milestone AV Technologies and its affiliated corporations and subsidiaries (collectively "Milestone"), intend to make this manual accurate and complete. However, Milestone makes no claim that the information contained herein covers all details, conditions or variations, nor does it provide for every possible contingency in connection with the installation or use of this product. The information contained in this document is subject to change without notice or obligation of any kind. Milestone makes no representation of warranty, expressed or implied, regarding the information contained herein. Milestone assumes no responsibility for accuracy, completeness or sufficiency of the information contained in this document.


Chief® is a registered trademark of Milestone AV Technologies. All rights reserved.


IMPORTANT SAFETY INSTRUCTIONS

 **WARNING:** A WARNING alerts you to the possibility of serious injury or death if you do not follow the instructions.


 **CAUTION:** A CAUTION alerts you to the possibility of damage or destruction of equipment if you do not follow the corresponding instructions.


 **WARNING:** Failure to read, thoroughly understand, and follow all instructions can result in serious personal injury, damage to equipment, or voiding of factory warranty! It is the installer's responsibility to make sure all components are properly assembled and installed using the instructions provided.


 **WARNING:** Failure to provide adequate structural strength for this component can result in serious personal injury or damage to equipment! It is the installer's responsibility to make sure the structure to which this component is attached can support five times the combined weight of all equipment. Reinforce the structure as required before installing the component.

 **WARNING:** Exceeding the weight capacity can result in serious personal injury or damage to equipment! It is the installer's responsibility to make sure the combined weight of all components attached to the LSB101 does not exceed 50 lbs (22.68 kg)

- The weight capacity of the LSB101 may be LIMITED to the lowest weight capacity of any other component or accessory used within the mounting system.

 **WARNING:** Use this mounting system only for its intended use as described in these instructions. Do not use attachments not recommended by the manufacturer.

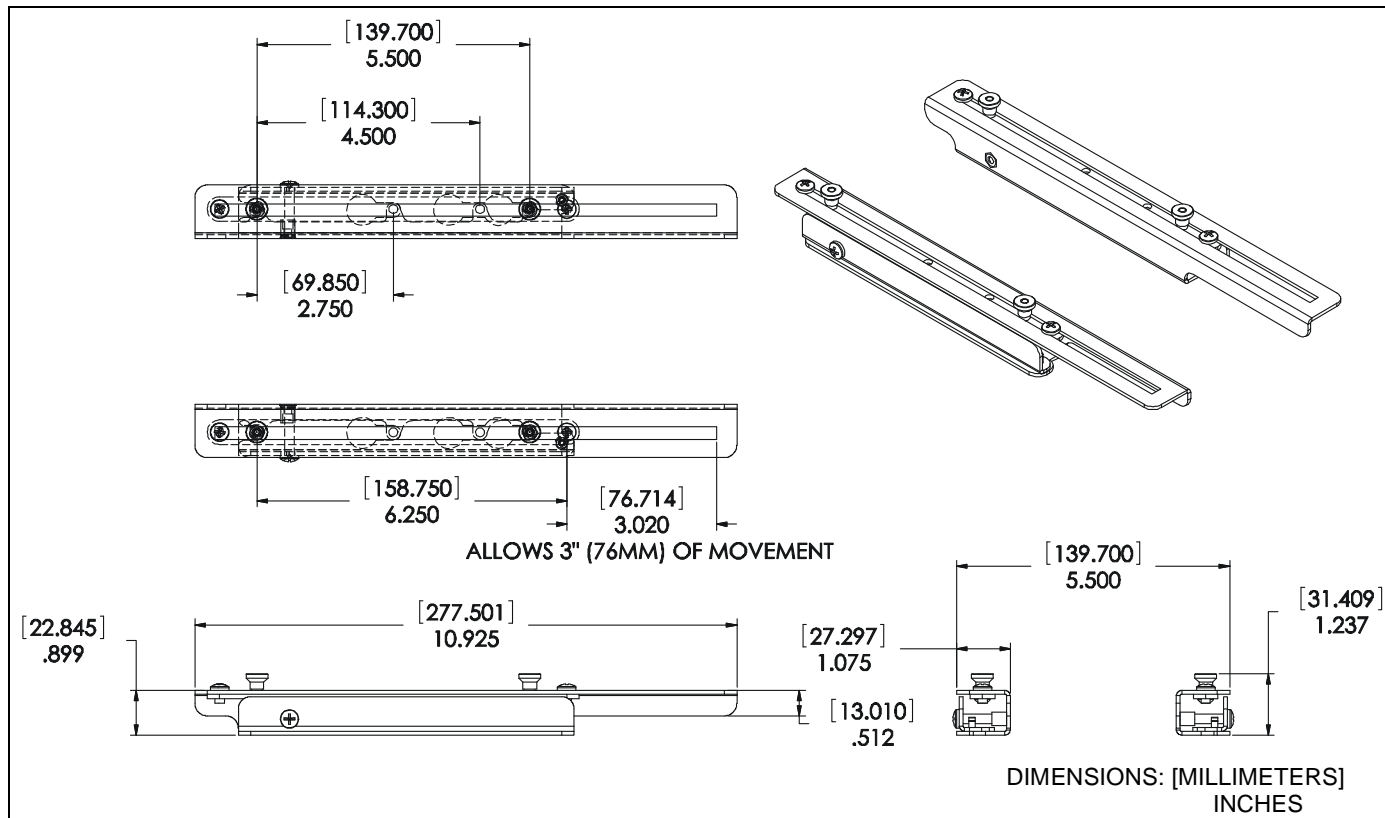
 **WARNING:** Never operate this mounting system if it is damaged. Return the mounting system to a service center for examination and repair.

 **WARNING:** Do not use this product outdoors.

IMPORTANT ! : The LSB101 is designed to provide up to 3" lateral shift for projectors, and is used with the Chief Listed RPM Series projector mount.

--SAVE THESE INSTRUCTIONS--

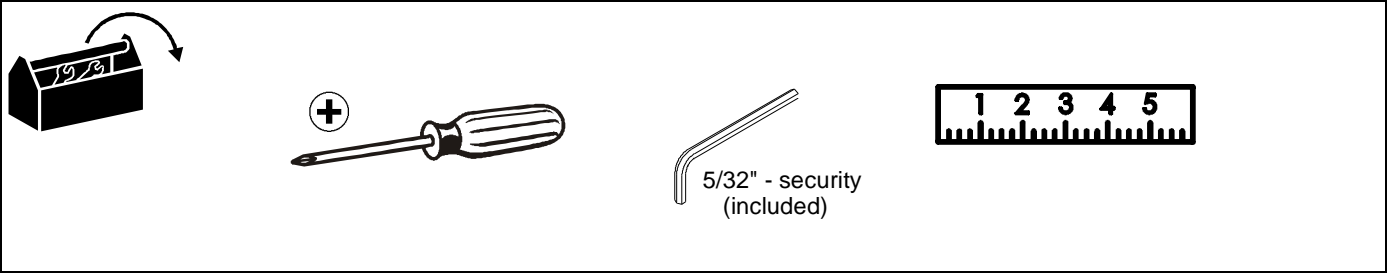
DIMENSIONS



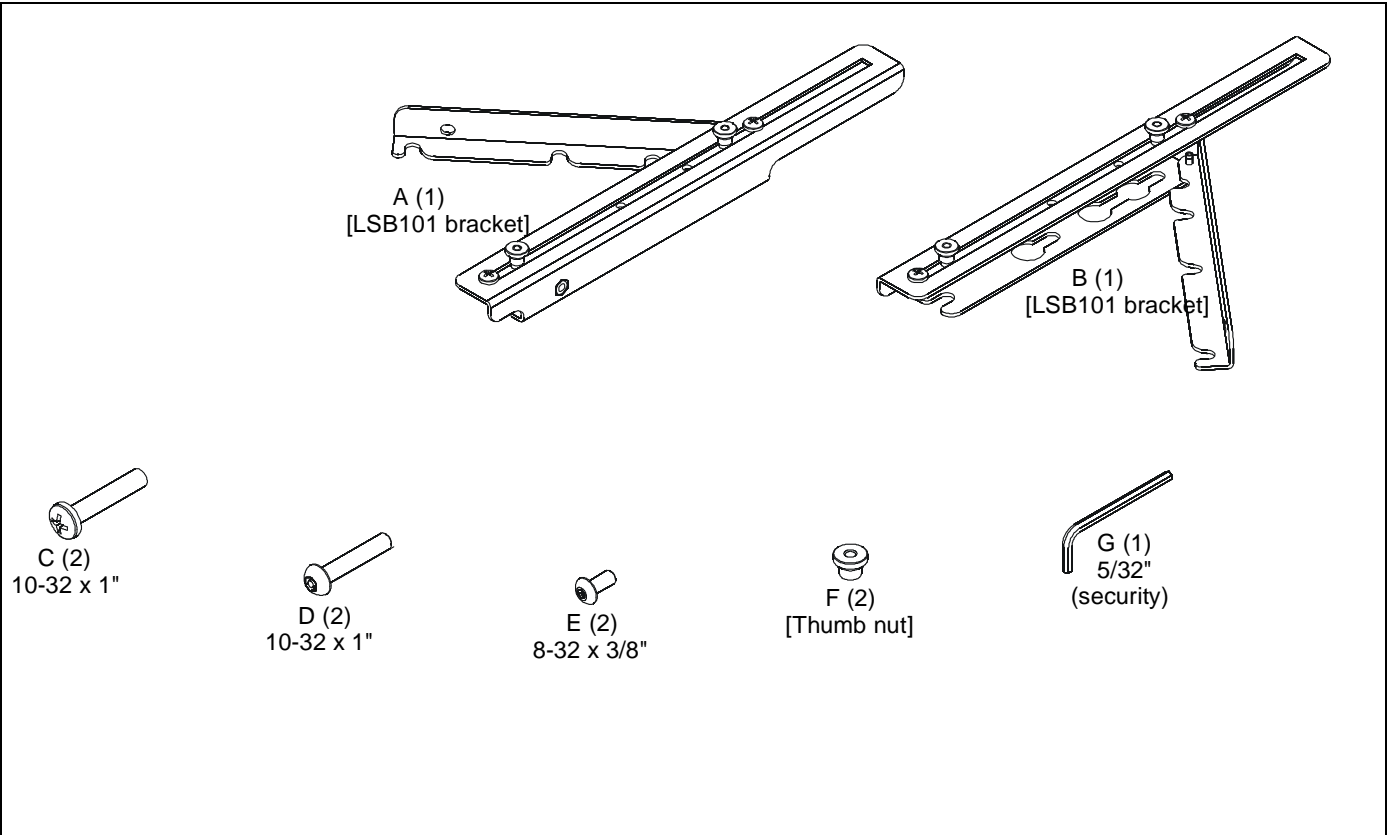
LEGEND

	Tighten Fastener		Phillips Screwdriver
	Apretar elemento de fijación		Destornillador Phillips
	Befestigungsteil festziehen		Kreuzschlitzschraubendreher
	Apertar fixador		Chave de fendas Phillips
	Serrare il fissaggio		Cacciavite a stella
	Bevestiging vastdraaien		Kruiskopschroevendraaier
Serrez les fixations	Tournevis à pointe cruciforme		
	Loosen Fastener		By Hand
	Aflojar elemento de fijación		A mano
	Befestigungsteil lösen		Von Hand
	Desapertar fixador		Com a mão
	Allentare il fissaggio		A mano
	Bevestiging losdraaien		Met de hand
Desserrez les fixations	À la main		

TOOLS REQUIRED FOR INSTALLATION



PARTS



ASSEMBLY AND INSTALLATION

The LSB101 may be used in either a lateral shift application or a forward/backward shift application.

NOTE: For a lateral shift application, proceed to **Attaching LSB101 - Lateral Shift**.

Attaching LSB101 - Forward/Backward Shift

1. Attach one thumb nut (F) with one 8-32 x 3/8" button head security cap screw (E) to both LSB101 brackets (A and B). (See Figure 1)

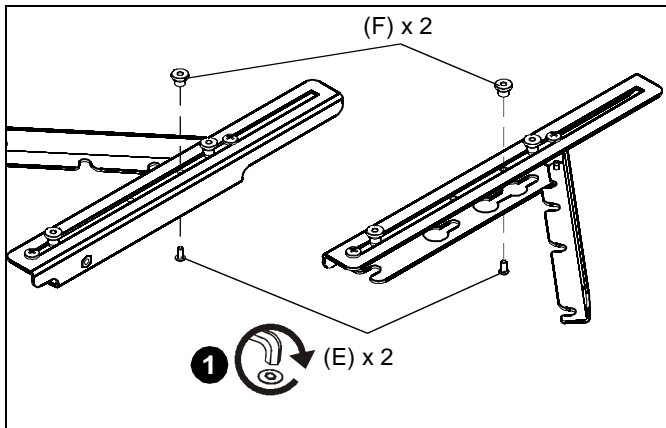


Figure 1

2. Proceed to **Attaching LSB101 - Lateral Shift** section.

Attaching LSB101 - Lateral Shift

1. Line up keyhole slots of both LSB-101 brackets (A and B) with SLM interface bracket (not included). (See Figure 2)

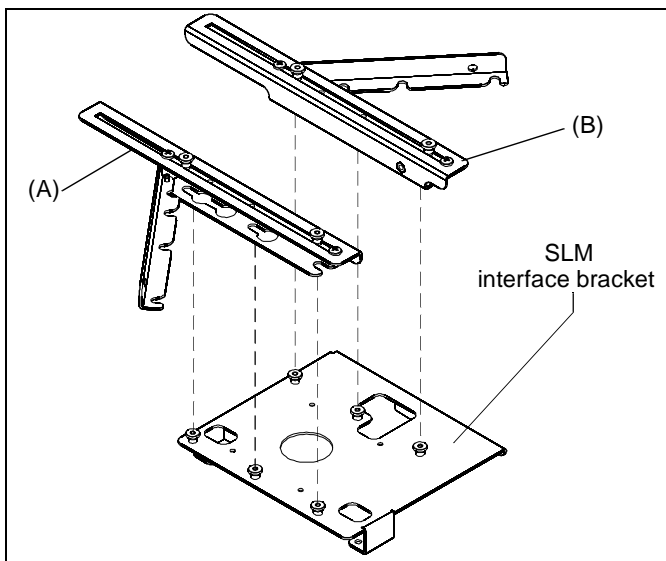


Figure 2

2. Slide LSB101 brackets so that thumb nuts on SLM interface bracket rest in the narrow end of key slots. (See Figure 3)

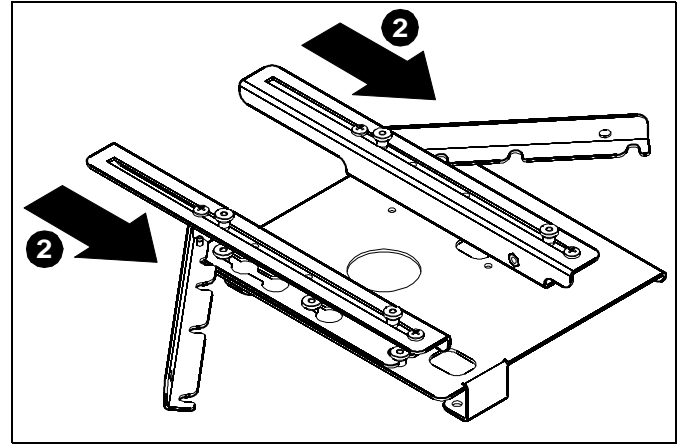


Figure 3

3. Shut bracket arms.
4. Secure bracket arms with one 10-32 x 1" Phillips machine screw (C) on outside of each LSB101 bracket. (See Figure 4)

NOTE: 10-32 x 1" button head security screws (D) may be used in place of the Phillips machine screws (C).

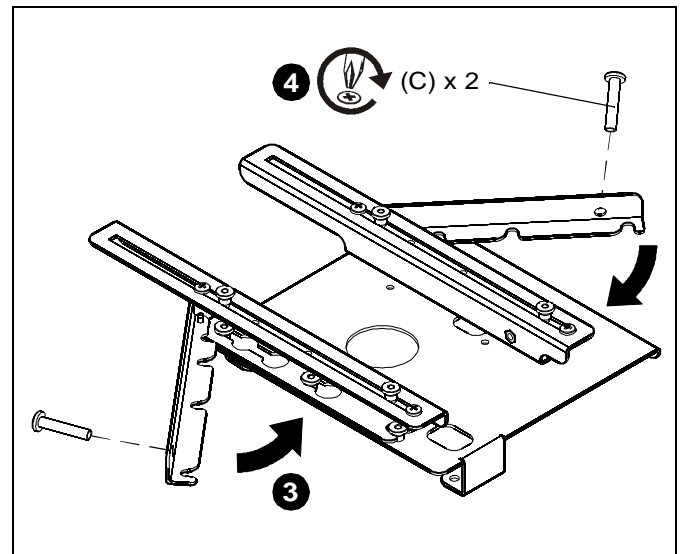


Figure 4

Attaching RPMA (not included) to LSB101

1. Ensure that lock lever on RPMA is moved to "Unlocked" position.
2. Slide RPMA onto LSB101 brackets (A and B).(See Figure 5)
3. Move the lock lever to "Locked" position and turn key to lock.

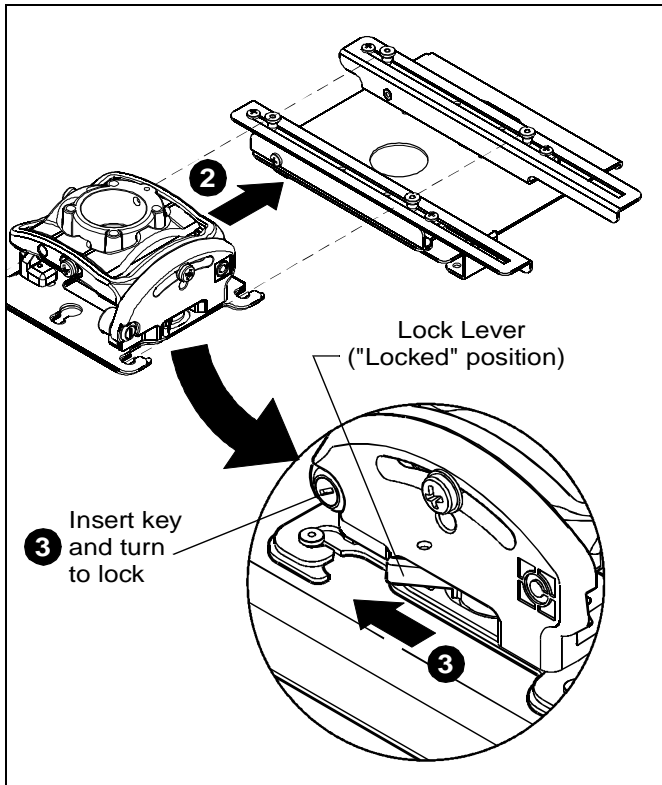


Figure 5

Shifting RPMA on LSB101 Bracket

1. Loosen two Phillips screws on each LSB101 bracket (A and B). (See Figure 6)
2. Shift RPMA left to right as needed.

NOTE: If using the LSB101 bracket in a forward/backward application, shift the RPMA either backward or forward as needed.

3. Tighten the Phillips screws as needed. (See Figure 6)

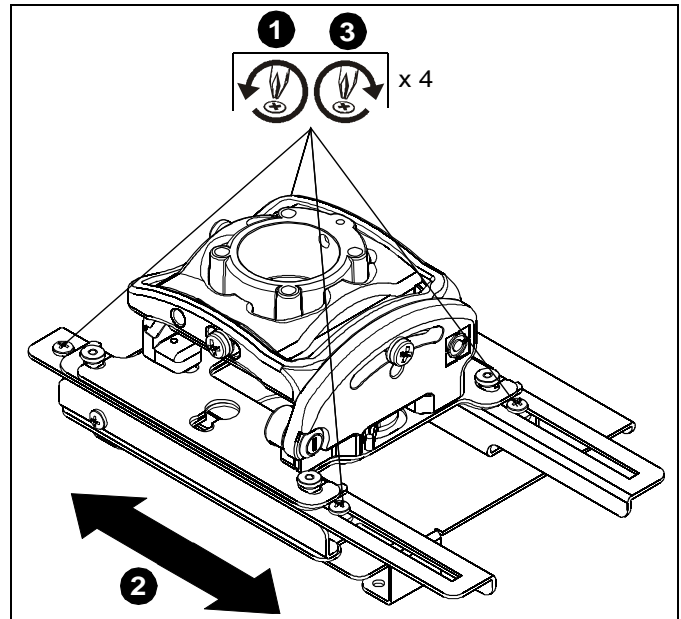


Figure 6



Our Mounts. **Your Vision.**

Chief, a products division of
Milestone AV Technologies

8800-002530 Rev00
©2014 Milestone AV Technologies
www.chiefmfg.com
03/14

USA/International	A 6436 City West Parkway, Eden Prairie, MN 55344 P 800.582.6480 / 952.225.6000 F 877.894.6918 / 952.894.6918
Europe	A Franklinstraat 14, 6003 DK Weert, Netherlands P +31 (0) 495 580 852 F +31 (0) 495 580 845
Asia Pacific	A Office No. 1 on 12/F, Shatin Galleria 18-24 Shan Mei Street Fotan, Shatin, Hong Kong P 852 2145 4099 F 852 2145 4477

