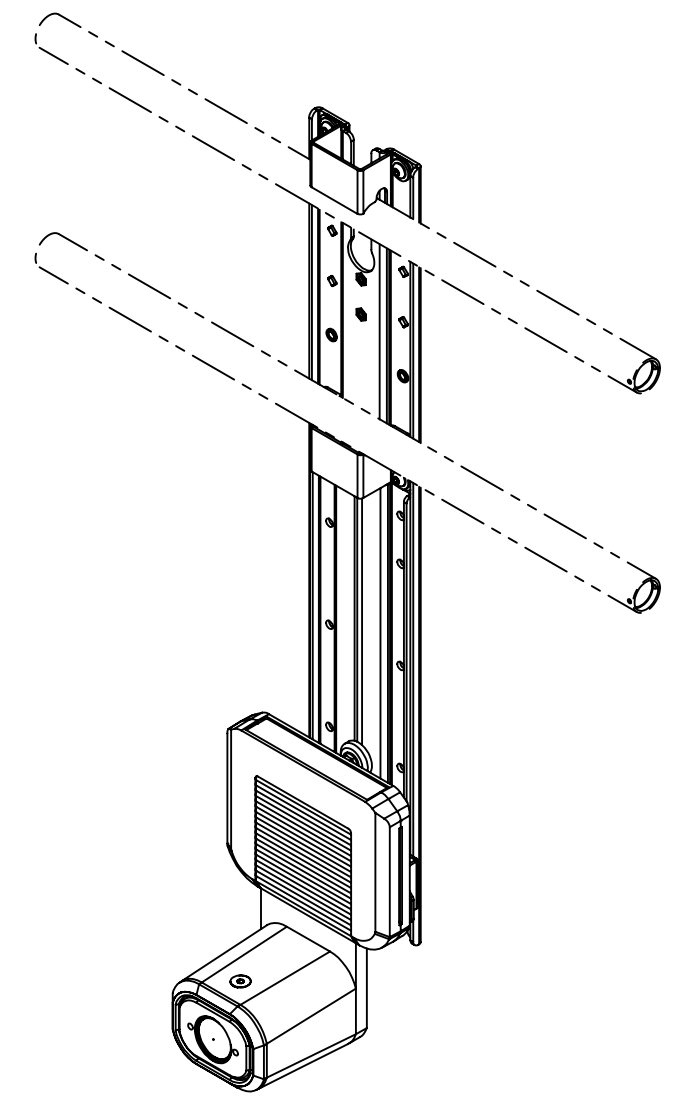
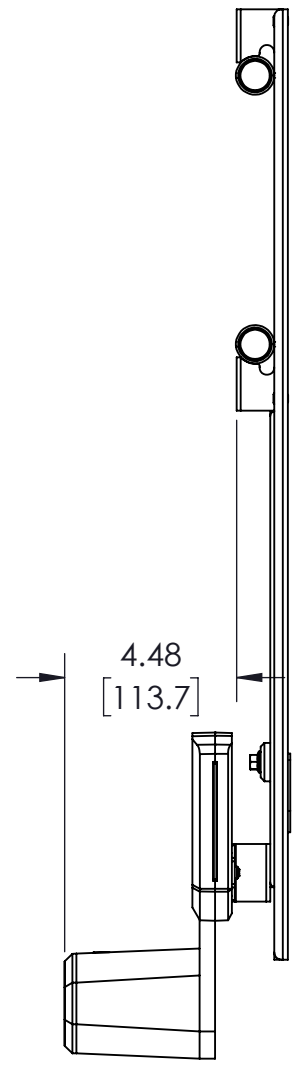
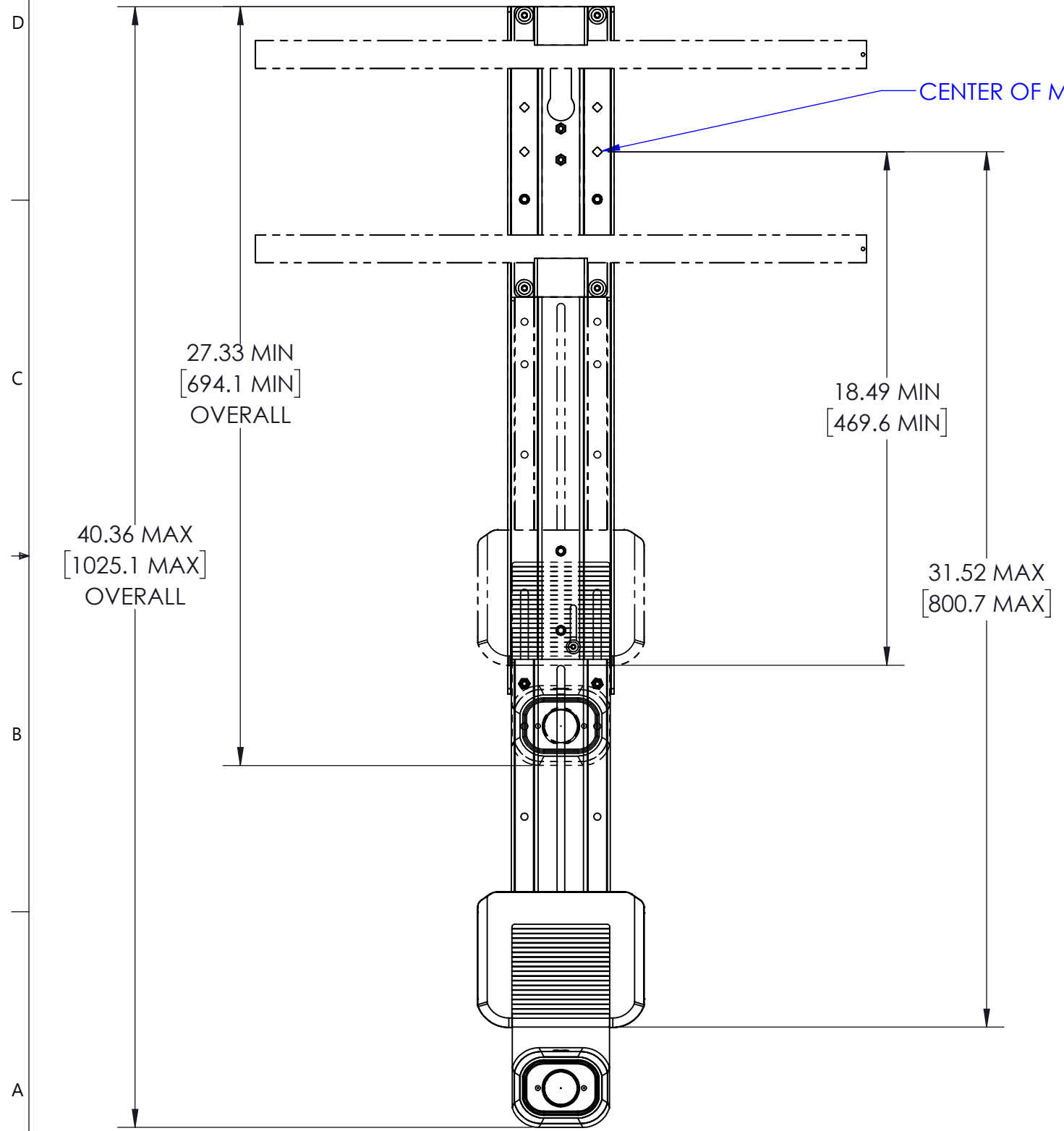


FUSION WALL BELOW MOUNT SETUP



(*)NOTES:

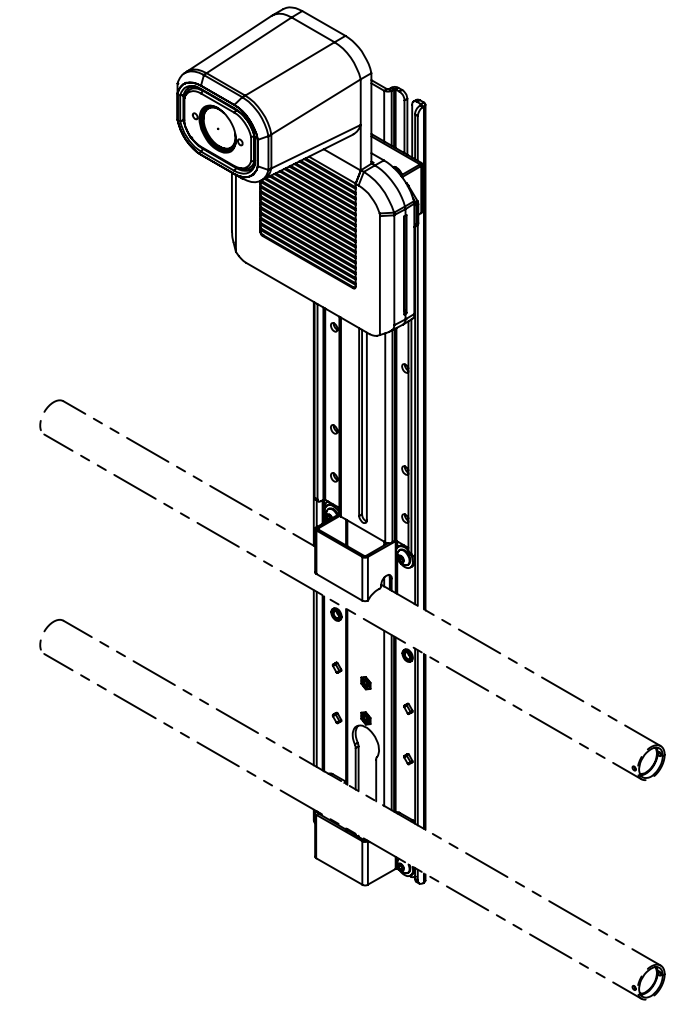
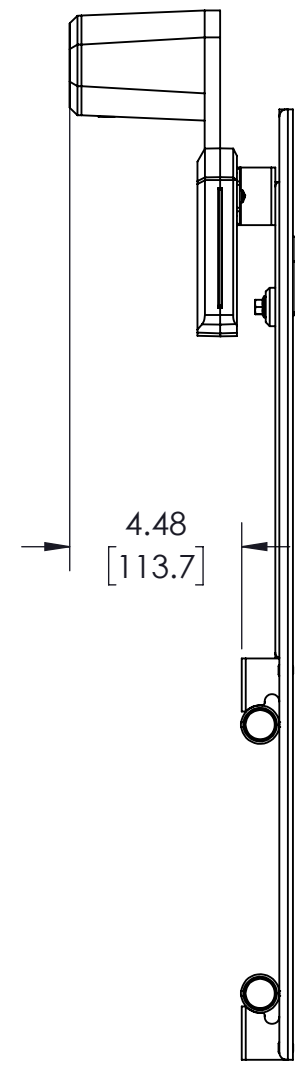
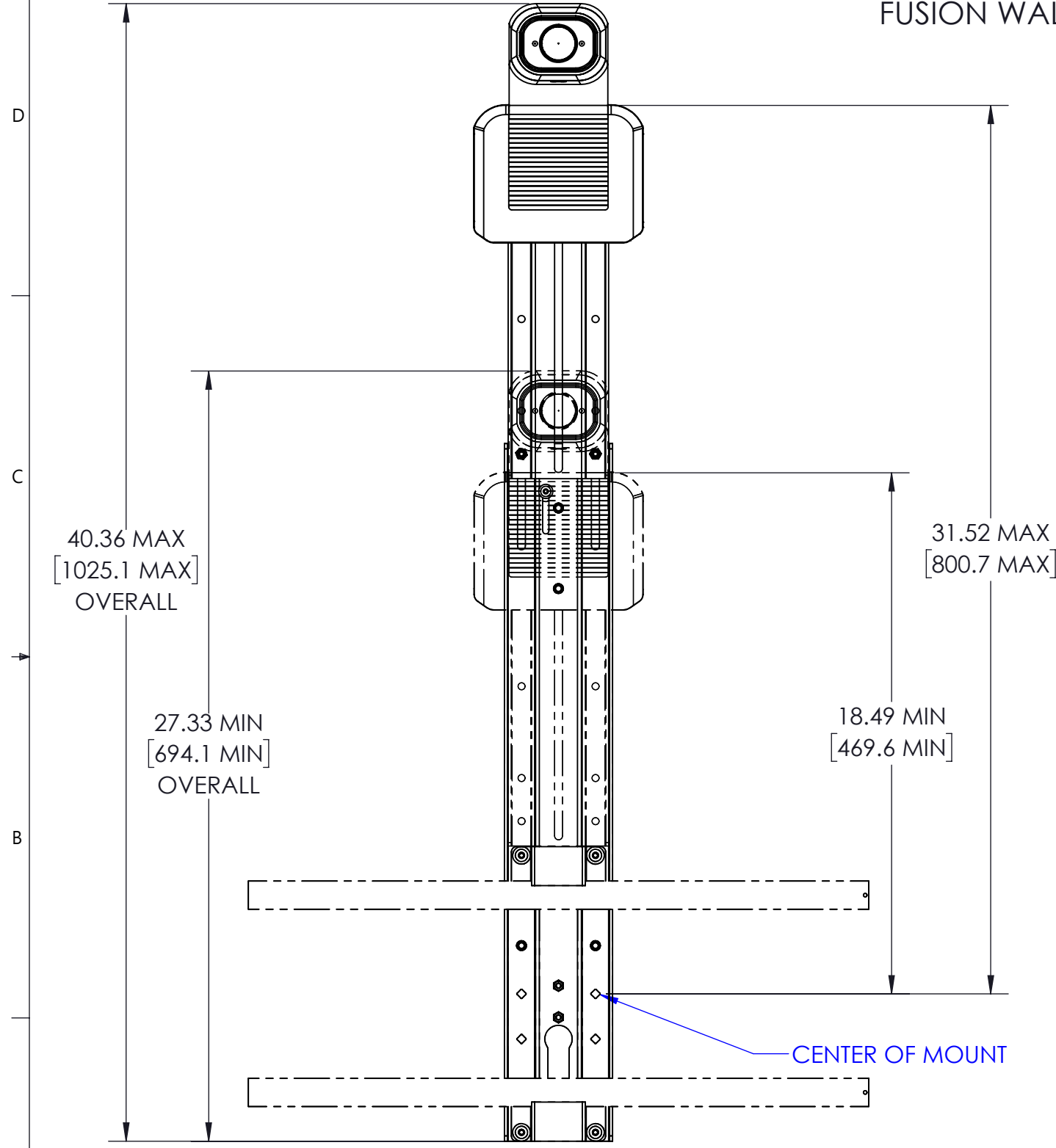
- TYPICAL FUSION INTERFACES ARE 0.5" [12.7] DEEP

*EAGLE SHOWN FOR ILLUSTRATIVE PURPOSES

THE INFORMATION AND DESIGNS CONTAINED IN THIS DRAWING ARE CONFIDENTIAL AND THE PROPRIETARY PROPERTY OF MILESTONE AV TECHNOLOGIES NEITHER THIS DESIGN NOR ANY INFORMATION CONTAINED IN THIS DRAWING MAY BE REPRODUCED OR DISCLOSED TO OTHERS WITHOUT THE EXPRESS WRITTEN CONSENT OF MILESTONE AV TECHNOLOGIES.

CAD GENERATED DRAWING, DO NOT MANUALLY UPDATE.					6436 CITY WEST PKWY EDEN PRAIRIE, MN, 55344 PHONE: 866-977-3901 FAX: 877-894-6918	
DRAWN BY	JL	7/13/2020	DESCRIPTION			
ENG APPROVAL			TECH DRAWING, FCA810E			
MFG APPROVAL			MODEL NO.			
QA APPROVAL			FCA810E			
SHEET 1 OF 4		SCALE	SIZE	DWG. NO.	REV.	
		1:5	B	TECH-001082	00	

FUSION WALL ABOVE MOUNT SETUP



(*)NOTES:

- TYPICAL FUSION INTERFACES ARE 0.5" [12.7] DEEP

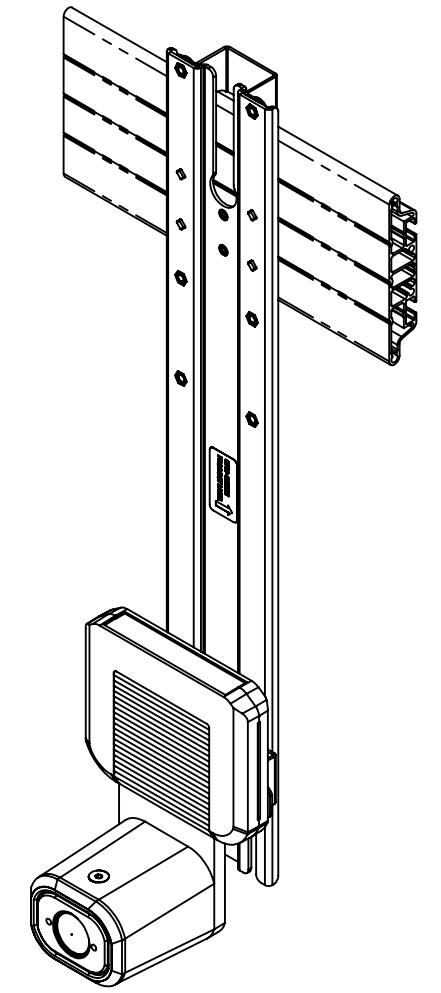
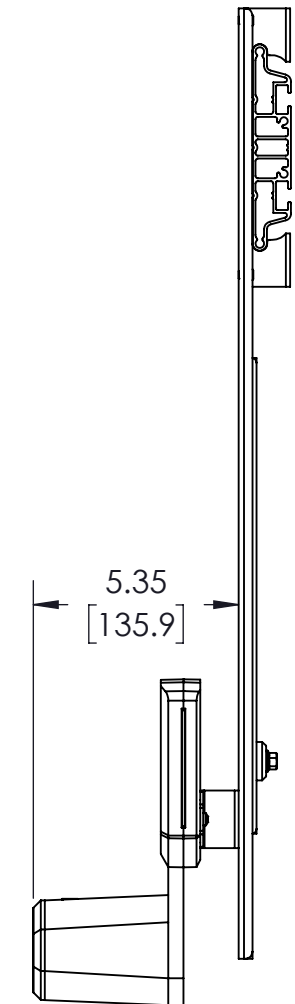
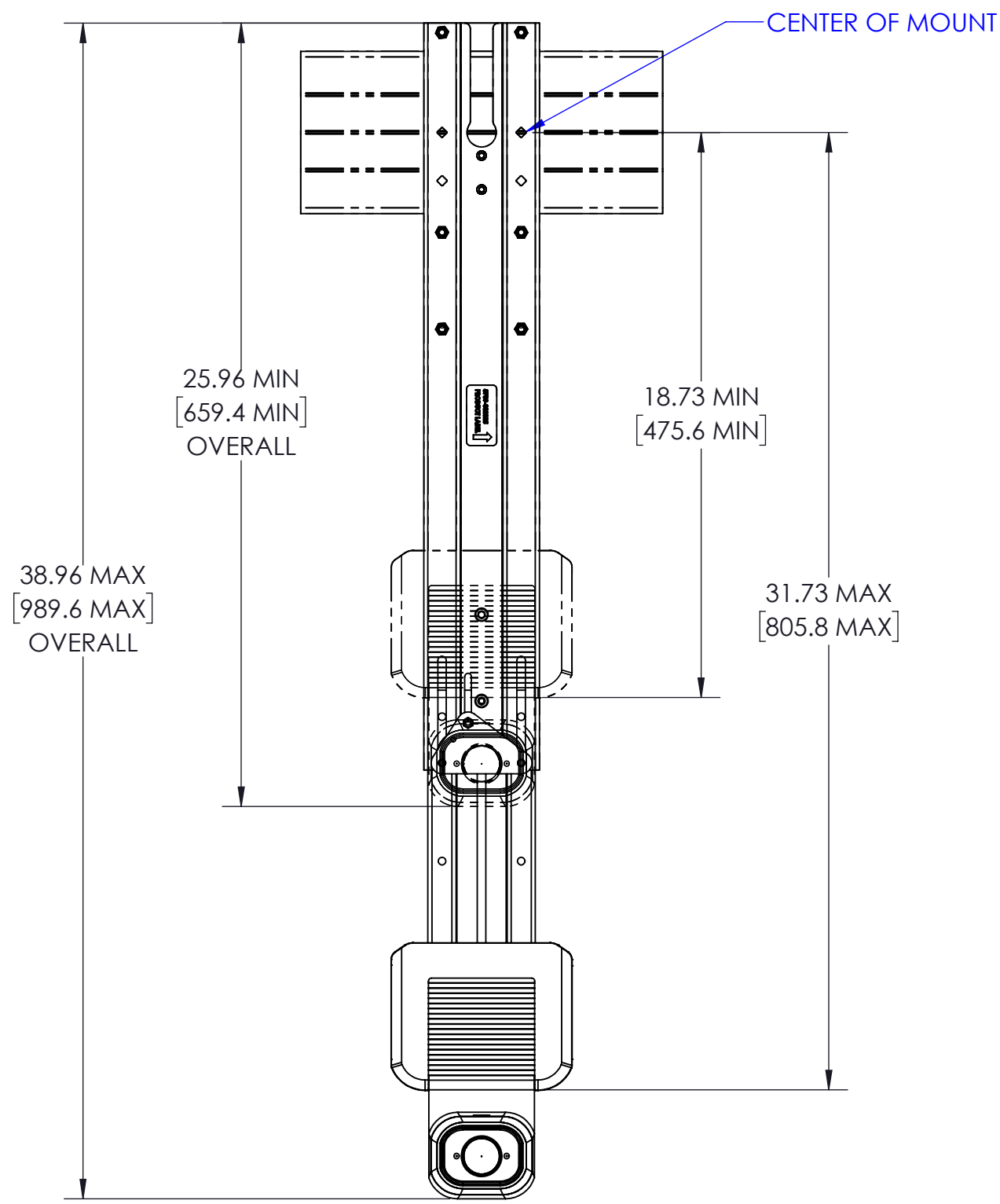
*EAGLE SHOWN FOR ILLUSTRATIVE PURPOSES

THE INFORMATION AND DESIGNS CONTAINED IN THIS DRAWING ARE CONFIDENTIAL AND THE PROPRIETARY PROPERTY OF MILESTONE AV TECHNOLOGIES NEITHER THIS DESIGN NOR ANY INFORMATION CONTAINED IN THIS DRAWING MAY BE REPRODUCED OR DISCLOSED TO OTHERS WITHOUT THE EXPRESS WRITTEN CONSENT OF MILESTONE AV TECHNOLOGIES.

CAD GENERATED DRAWING, DO NOT MANUALLY UPDATE.					6436 CITY WEST PKWY EDEN PRAIRIE, MN, 55344 PHONE: 866-977-3901 FAX: 877-894-6918
DRAWN BY	JL	7/13/2020	DESCRIPTION TECH DRAWING, FCA810E		
ENG APPROVAL			MODEL NO. FCA810E		
MFG APPROVAL			SIZE DWG. NO. B TECH-001082		
QA APPROVAL			REV. 00		
SHEET 2 OF 4		SCALE 1:5			

FUSION CEILING/CART BELOW MOUNT SETUP

D
C
B
A



D
C
B
A

(*)NOTES:

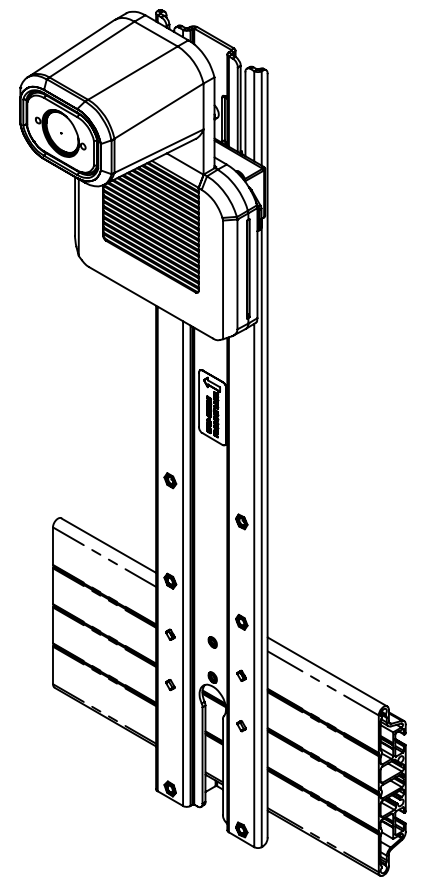
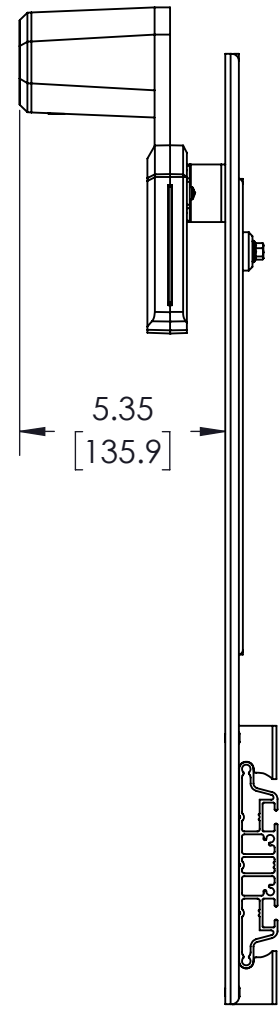
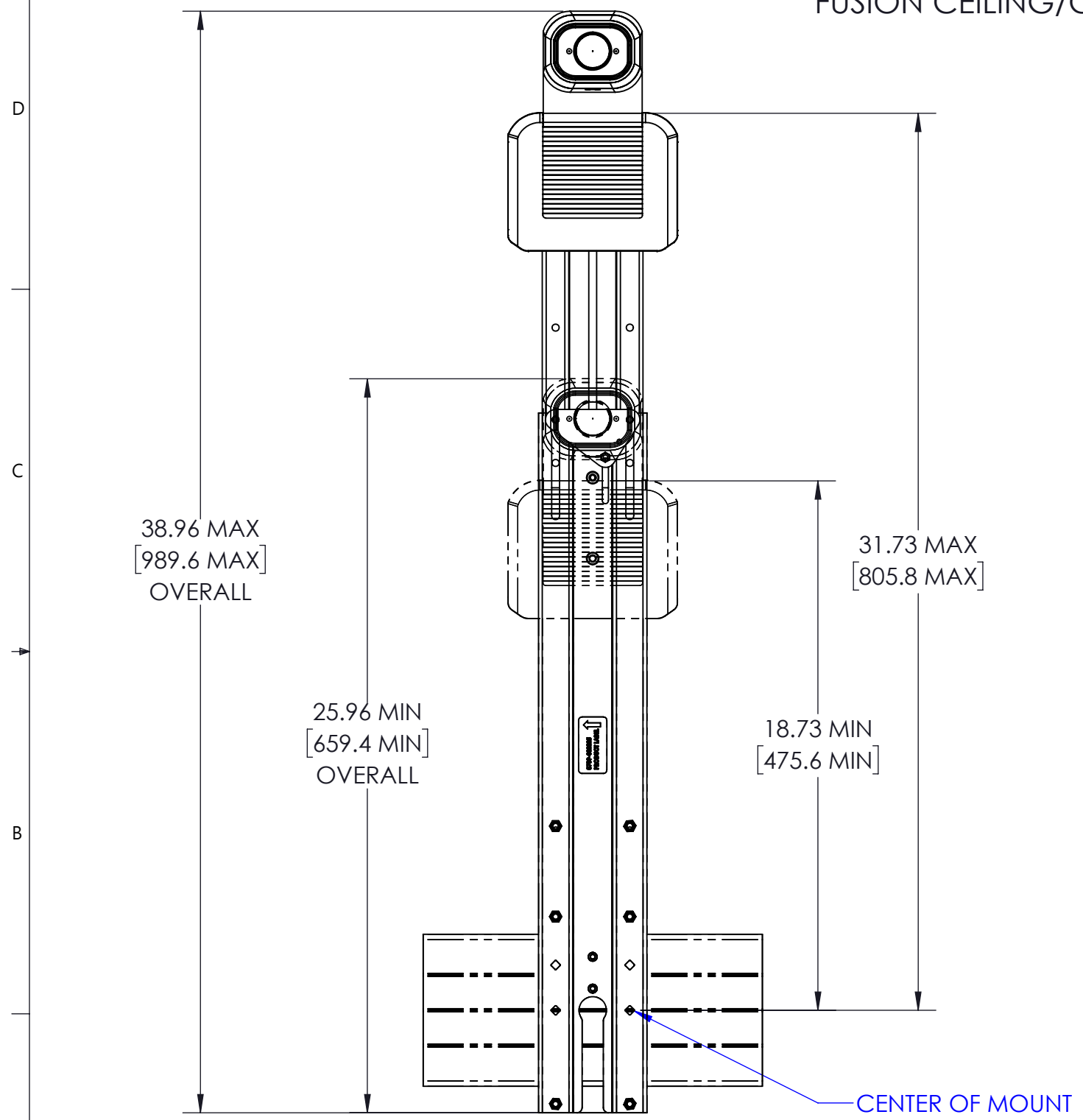
- TYPICAL SINGLE DISPLAY MODELS HAVE INTERFACE DEPTHS .5" [12.7]
- TYPICAL DUAL DISPLAY MODELS HAVE INTERFACE DEPTHS 1.9" [48.3]
- FCA623 DUAL MONITOR INTERFACES ARE 1.4" DEEP [35.6]

*EAGLE SHOWN FOR ILLUSTRATIVE PURPOSES

THE INFORMATION AND DESIGNS CONTAINED IN THIS DRAWING ARE CONFIDENTIAL AND THE PROPRIETARY PROPERTY OF MILESTONE AV TECHNOLOGIES NEITHER THIS DESIGN NOR ANY INFORMATION CONTAINED IN THIS DRAWING MAY BE REPRODUCED OR DISCLOSED TO OTHERS WITHOUT THE EXPRESS WRITTEN CONSENT OF MILESTONE AV TECHNOLOGIES.

CAD GENERATED DRAWING, DO NOT MANUALLY UPDATE.					6436 CITY WEST PKWY EDEN PRAIRIE MN, 55344 PHONE: 866-977-3901 FAX: 877-894-6918	
DRAWN BY	JL	7/13/2020	DESCRIPTION			
ENG APPROVAL			TECH DRAWING, FCA810E			
MFG APPROVAL			MODEL NO.			
QA APPROVAL			FCA810E			
SHEET 3 OF 4		SCALE	SIZE	DWG. NO.	REV.	
		1:5	B	TECH-001082	00	

FUSION CEILING/CART ABOVE MOUNT SETUP



(*)NOTES:

- TYPICAL SINGLE DISPLAY MODELS HAVE INTERFACE DEPTHS .5" [12.7]
- TYPICAL DUAL DISPLAY MODELS HAVE INTERFACE DEPTHS 1.9" [48.3]
- FCA623 DUAL MONITOR INTERFACES ARE 1.4" DEEP [35.6]

*EAGLE SHOWN FOR ILLUSTRATIVE PURPOSES

THE INFORMATION AND DESIGNS CONTAINED IN THIS DRAWING ARE CONFIDENTIAL AND THE PROPRIETARY PROPERTY OF MILESTONE AV TECHNOLOGIES NEITHER THIS DESIGN NOR ANY INFORMATION CONTAINED IN THIS DRAWING MAY BE REPRODUCED OR DISCLOSED TO OTHERS WITHOUT THE EXPRESS WRITTEN CONSENT OF MILESTONE AV TECHNOLOGIES.

CAD GENERATED DRAWING, DO NOT MANUALLY UPDATE.					6436 CITY WEST PKWY EDEN PRAIRIE MN, 55344 PHONE: 866-977-3901 FAX: 877-894-6918	
DRAWN BY	JL	7/13/2020	DESCRIPTION			
ENG APPROVAL			TECH DRAWING, FCA810E			
MFG APPROVAL			MODEL NO.			
QA APPROVAL			FCA810E			
SHEET 4 OF 4		SCALE	SIZE	DWG. NO.	REV.	
		1:5	B	TECH-001082	00	