



euroscreen®

Diplomat Ease

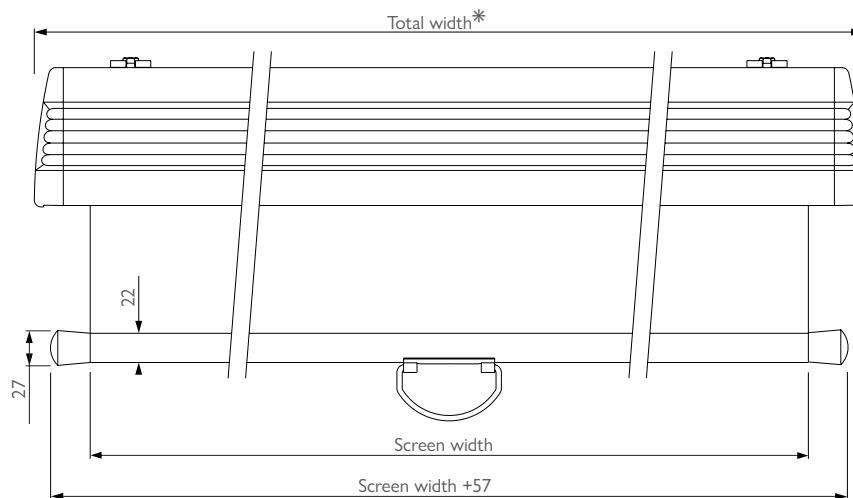
Diplomat Ease is an updated version of the popular Diplomat Manual projection screen. It features the same white aluminium case and channel-fixed installation, making it one of the market's most flexible and easy-to-install screens. The difference lies in the mechanism, which helps to smoothly operate the screen up and down. Thanks to its functional and contemporary design, Diplomat Ease is suitable for any environment – including conference rooms, educational facilities, and home theatres.

This manual projection screen is equipped with a counterweight mechanism that provides significantly smoother operation compared to traditional manual screens. The counterweight mechanism will hold the position when released after a certain height.

The soft retraction reduces stress and impact on both the screen surface and the case, contributing to improved flatness and a longer product lifespan.

SCREEN DIMENSIONS DIPLOMAT EASE

SCREEN DIMENSIONS



*Total width:
 Total width (≤ 200 cm screen width) = Screen width +86
 Total width (> 200 cm screen width) = Screen width +94

SCREEN SURFACES

Arctiq
 Matt white front surface, fibre glass support, black-backed.
 Gain 1.0

GreyLight
 Grey front surface, fibre glass supported, black-backed. Gain 0.75

STANDARD FORMATS

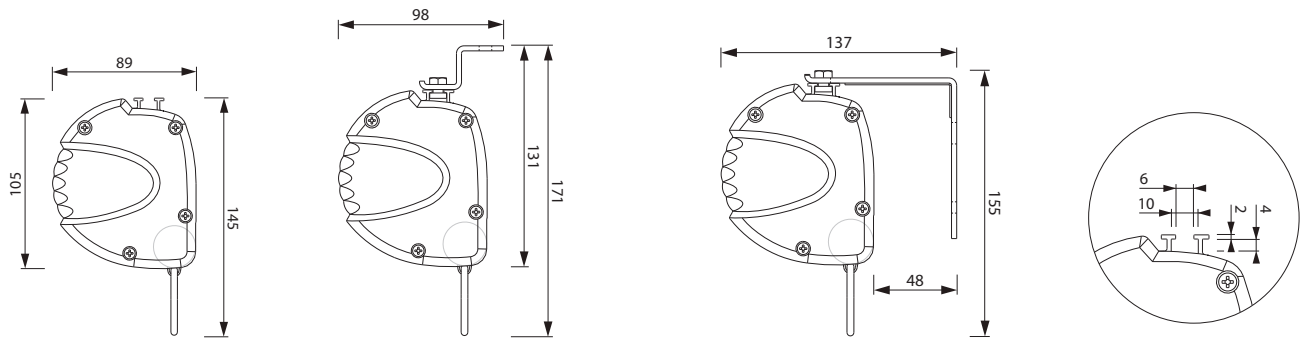
1:1 The screen format is 1:1. No black borders.

4:3
NO BLACK BORDERS The screen format is 4:3. No black borders.

16:9 The screen has 5 cm wide black borders. The format of the viewing area is 16:9.

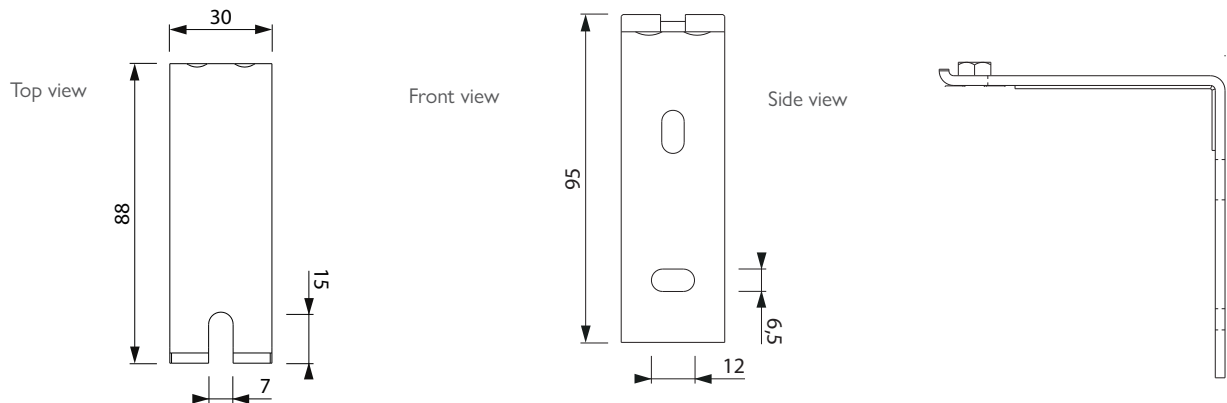
16:10 The screen has 5 cm wide black borders. The format of the viewing area is 16:10.

CASE DIMENSIONS

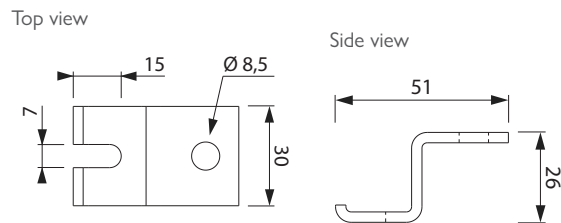


BRACKET DIMENSIONS

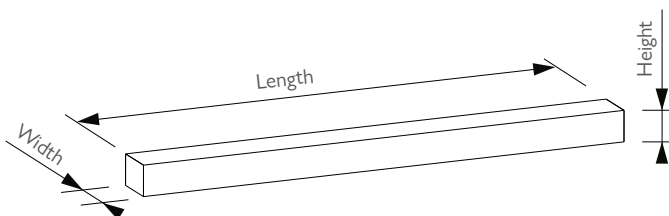
Brackets – Wall
Included in all Diplomat products



Brackets – Ceiling
Included in all Diplomat products



PACKAGING DIMENSIONS DIPLOMAT EASE



Screen width	Box length	Box width	Box height
1600	1910	165	170
1800	2110	165	170
2000	2310	165	170
2200	2510	165	170
2400	2710	165	170
2700	3010	165	170
3000	3310	165	170

