



KICK-SB18

LOUDSPEAKERS
Subwoofers



USER MANUAL

PRECAUTIONS

WARRANTY &
ENVIRONMENT

PACKAGE
CONTENTS

DESCRIPTION
&
FEATURES

CONNECTIONS

EQ
SETTINGS

RECOMMENDED
AMPLIFIER

POSITIONING &
INSTALLATION

TECHNICAL
DATA



PRECAUTIONS
WARRANTY & ENVIRONMENT
PACKAGE CONTENTS
DESCRIPTION & FEATURES
CONNECTIONS
EQ SETTINGS
RECOMMENDED AMPLIFIER
POSITIONING & INSTALLATION
TECHNICAL DATA

TABLE OF CONTENTS

1. PRECAUTIONS.....	3
1.1 Important Notice.....	3
1.2 Key Safety Directions.....	4
1.3 Cleaning Directions	4
2. WARRANTY & ENVIRONMENT	5
3. PACKAGE CONTENTS	5
4. DESCRIPTION & FEATURES	6
4.1 Main Features	6
5. CONNECTIONS	6
5.1 Connection Diagram	7
6. EQ SETTINGS	8
7. RECOMMENDED AMPLIFIER	8
8. POSITIONING & INSTALLATION	8
8.1 Positioning.....	8
8.2 Installation	9
8.2.1 Horizontal Mount.....	9
8.2.2 Vertical Mount.....	10
8.2.3 Wall Mount.....	11
9. TECHNICAL DATA.....	12
9.1 Technical Specifications.....	12
9.2 Mechanical Diagram.....	13

1. PRECAUTIONS

1.1 Important Notice



WARNING: SHOCK HAZARD - DO NOT OPEN

AVIS: RISQUE DE CHOC ÉLECTRIQUE - NE PAS OUVRIR



The flashing light with an arrowhead symbol inside an equilateral triangle on it is intended to alert the user of the presence of non-insulated “dangerous voltage” within the enclosure, which might be of sufficient magnitude to pose a risk of electric shock to users.



The exclamation mark within an equilateral triangle is intended to alert the user of the requirement for important operating and maintenance (servicing), for which instructions may be found in the literature accompanying the appliance.

WARNING (If applicable): Terminals marked with symbol “⚡” may be of sufficient magnitude to pose a risk of electric shock. The external wiring connected to terminals requires installation by a technician, or the use of ready-made leads or cords.

WARNING: To prevent fire or shock hazard, do not expose this equipment to rain or humidity.

WARNING: A device with Class I manufacturing ought to be connected to a mains socket outlet with a protective earthing connection.



WARNING: Ecler products have a long lifetime of more than 10 years. This product must never be discarded as unsorted urban waste, but must be taken to the nearest electrical and electronic waste treatment centre.



PRECAUTIONS

WARRANTY & ENVIRONMENT

PACKAGE CONTENTS

DESCRIPTION & FEATURES

CONNECTIONS

EQ SETTINGS

RECOMMENDED AMPLIFIER

POSITIONING & INSTALLATION

TECHNICAL DATA

1.2 Key Safety Directions

1. Read the following directions.
2. Keep the following directions.
3. Heed all warnings.
4. Follow all directions.
5. Do not use this device in proximity to water.
6. Clean only with a dry cloth.
7. Do not block any ventilation openings. Install in accordance with the manufacturer's instructions.
8. Do not install near any heat sources such as radiators, heat registers, stoves, or other devices (including amplifiers) that may release heat.
9. Do not defeat the safety purpose of the polarized or grounding type plug. A polarized plug has two blades, being one wider than the other. A grounding type plug has two blades and a third grounding prong. The wide blade or the third prong are provided for your safety. If the provided plug does not fit into your outlet, contact a qualified electrician for a replacement of the obsolete outlet.
10. Protect the power cord from being walked on or pinched, particularly at the plugs, convenience receptacles, and at the point of exit from the device.
11. Only use attachments/accessories specified by the manufacturer.
12. Unplug the device during lightening sorts or when unused for long periods of time.
13. Refer all servicing to qualified personnel. Servicing is required when the device has been damaged in any way, such as power supply cord or plug damage, liquid spillage or objects onto the device, the device has been exposed to rain or humidity, does not operate normally, or has been dropped.
14. Disconnecting from mains: When switching off the POWER switch, all the functions and light indicators of the unit will be stopped, but fully disconnecting the device from mains is done by unplugging the power cable from the mains input socket, therefore, it should always remain easily accessible
15. Equipment is connected to a socket-outlet with an earthing connection by means of a power cord.
16. The marking information is located at the bottom/rear of the unit.
17. The device shall not be exposed to dripping or splashing liquids, and no liquid-filled objects, such as a filled up glass, shall be placed on top of the device.

1.3 Cleaning Directions



Clean the unit with a soft, dry clean cloth or slightly wet with water and neutral liquid soap only, then dry it with a clean cloth. Be careful that water never gets into the unit through any hole. Never use alcohol, benzine, solvents or abrasive substances to clean this unit.

NEEC AUDIO BARCELONA, S.L. accepts no liability for any damage that may be caused to people, animal, or objects due to failure to comply with the warnings above.



PRECAUTIONS

WARRANTY & ENVIRONMENT

PACKAGE CONTENTS

DESCRIPTION & FEATURES

CONNECTIONS

EQ SETTINGS

RECOMMENDED AMPLIFIER

POSITIONING & INSTALLATION

TECHNICAL DATA

2. WARRANTY & ENVIRONMENT

Thank you for choosing our Ecler KICK-SB18!
We greatly value your trust.

It is **VERY IMPORTANT** to carefully read this manual and to fully understand its contents before any connecting takes place in order to make the best use of this equipment, as well as to get the best performance from it.

To ensure optimal operation of this device, **we strongly recommend that its maintenance be carried out by our authorised Technical Services.**

All ECLER products are covered by warranty, please refer to www.ecler.com or the warranty card included with this product for the period of validity and conditions.



Ecler is truly committed with the environment and planet sustainability, energy saving and CO₂ emission reduction. Recycling materials and using non-contaminant components are also top priorities in our green crusade.

Ecler has deeply evaluated and analyzed the environmental impacts of all the processes involved in the production of this product, including packaging, and has alleviated, reduced and/or compensated for them.

3. PACKAGE CONTENTS

- 1 x KICK-SB18.
- 2 x Speakon® 4C.
- 4 x Rubber foot (screws included).
- 1 x Wall support system (screws not included).
- First Steps Guide.
- Warranty card.



PRECAUTIONS

WARRANTY & ENVIRONMENT

PACKAGE CONTENTS

DESCRIPTION & FEATURES

CONNECTIONS

EQ SETTINGS

RECOMMENDED AMPLIFIER

POSITIONING & INSTALLATION

TECHNICAL DATA

4. DESCRIPTION & FEATURES

KICK-SB18 is a wooden outdoor subwoofer reinforcement cabinet with and long-term reliability, weather protected IP46 rated. KICK-SB18 features an 8" water resistant treated woofer and 18mm Plywood birch with Polyurea coating enclosure material. It delivers 350 WRMS at 8Ω ready to be wall-mounted with the included bracket or positioned vertically and horizontally when needed.

4.1 Main Features

- 350W (RMS) @ 8Ω Outdoor passive subwoofer.
- 1x8" water resistant treated cone woofer.
- 18mm Plywood birch with Polyurea coating enclosure material.
- 2x SPEAKON® connectors (Input + Stack Output).
- Weather-protected with IP46 rating.
- Rubber feet for floor installation, either vertical or horizontal included.
- Wall bracket included for wall-mounted.

5. CONNECTIONS

The connection cables which connect the amplifiers output and the speaker should be of good quality, have sufficient conductor area and be as short as possible. The latter fact is especially important when the distance is long and the load impedance low (8Ω). A cross-section of at least 2.5mm² is recommended for distances up to 10m; 4 or 6mm² for longer distances. Following formula gives the required section, assuming 4% losses:

$$\text{Cross section in mm}^2 = \frac{\text{Length in m}}{\text{Loudspeaker impedance in } \Omega}$$

 **Always respect the polarity.** The loudspeaker has two Speakon® 4C connectors.



See detailed connections diagram on next page.



PRECAUTIONS

WARRANTY & ENVIRONMENT

PACKAGE CONTENTS

DESCRIPTION & FEATURES

CONNECTIONS

EQ SETTINGS

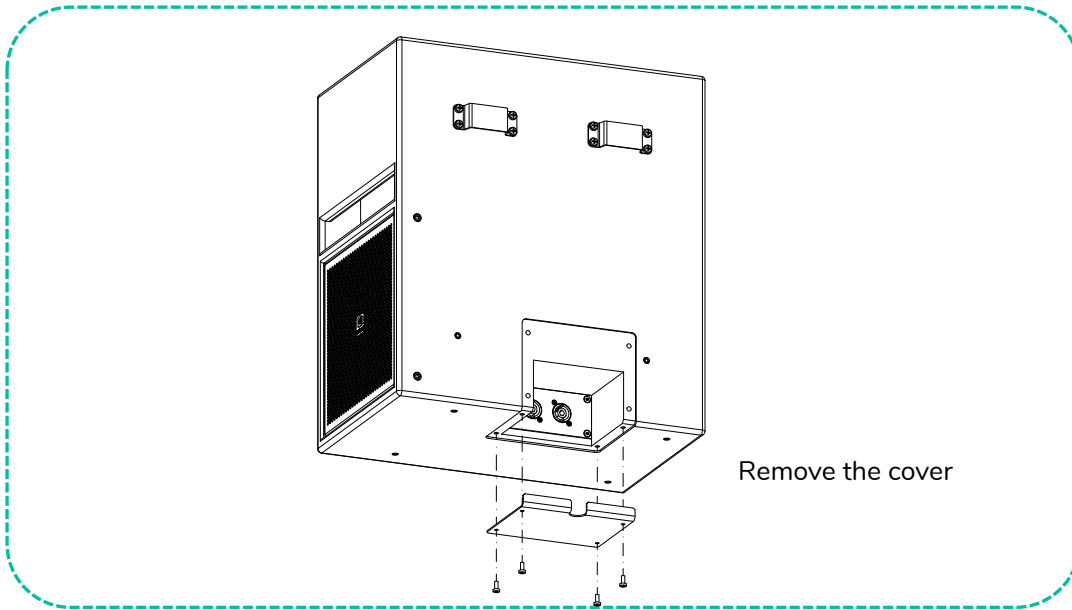
RECOMMENDED AMPLIFIER

POSITIONING & INSTALLATION

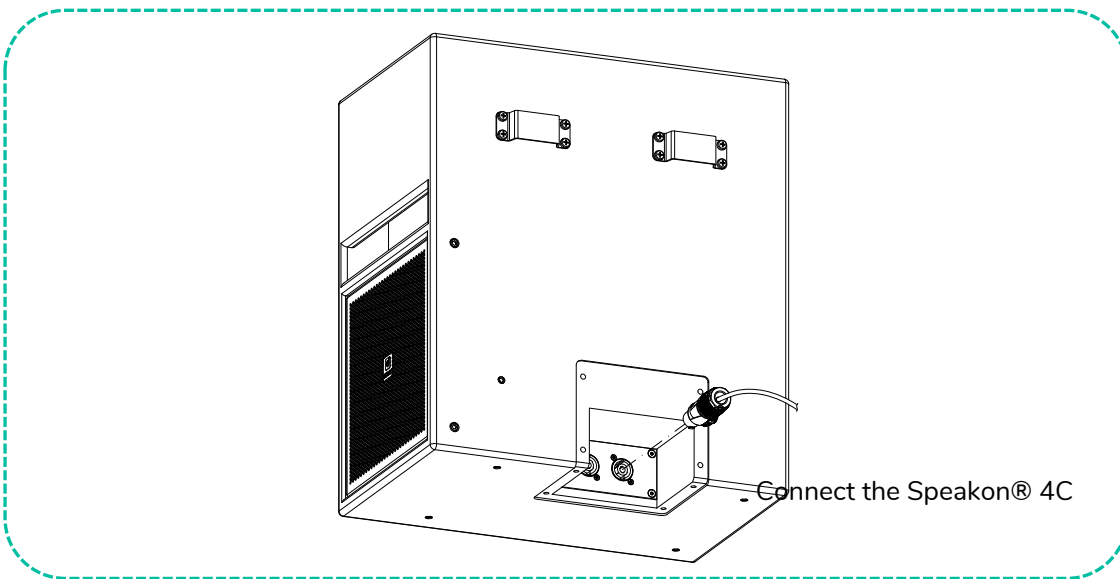
TECHNICAL DATA

5.1 Connection Diagram

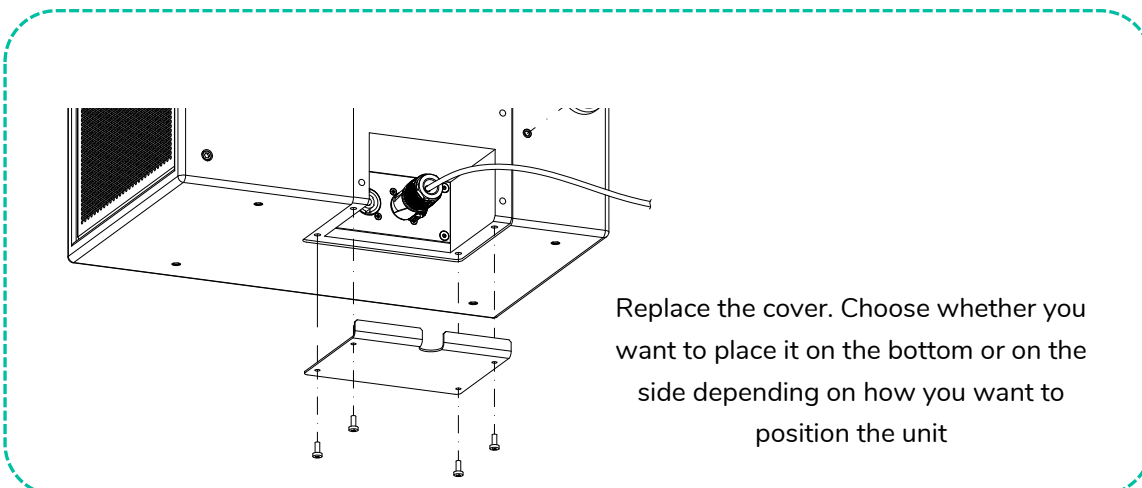
1



2



3



PRECAUTIONS

WARRANTY & ENVIRONMENT

PACKAGE CONTENTS

DESCRIPTION & FEATURES

CONNECTIONS

EQ SETTINGS

RECOMMENDED AMPLIFIER

POSITIONING & INSTALLATION

TECHNICAL DATA

6. EQ SETTINGS

[Download the Ecler Loudspeakers EQ Settings file](#) ready to import in EclerNet Manager software.

7. RECOMMENDED AMPLIFIER

The output power of the **recommended amplifier** for KICK-SB18 is **700W RMS**.

8. POSITIONING & INSTALLATION

8.1 Positioning

Consider following general rules:

Place the speakers on a solid and firm surface. Subwoofers **placed directly and horizontally on the ground have a higher output** than hanged or directly on the floor, but vertically. No obstacles should stand between the enclosures and the audience.



Download all EASE files by clicking on the image:

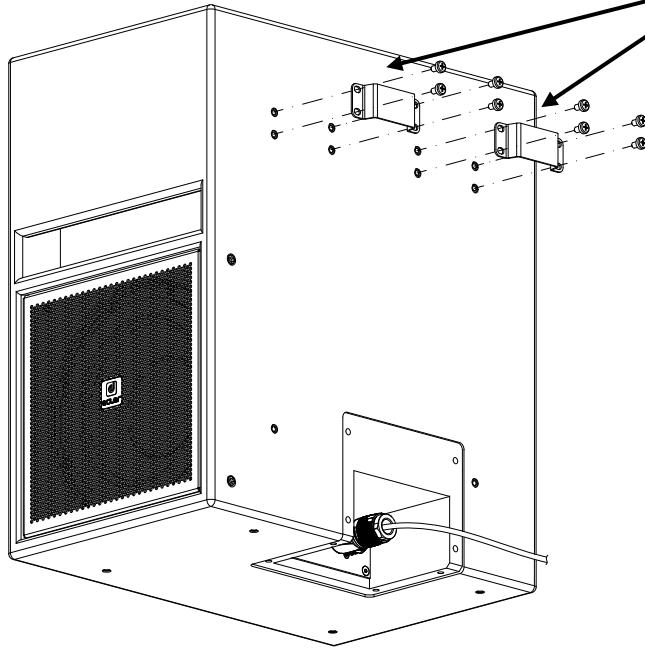


8.2 Installation

8.2.1 Horizontal Mount

1

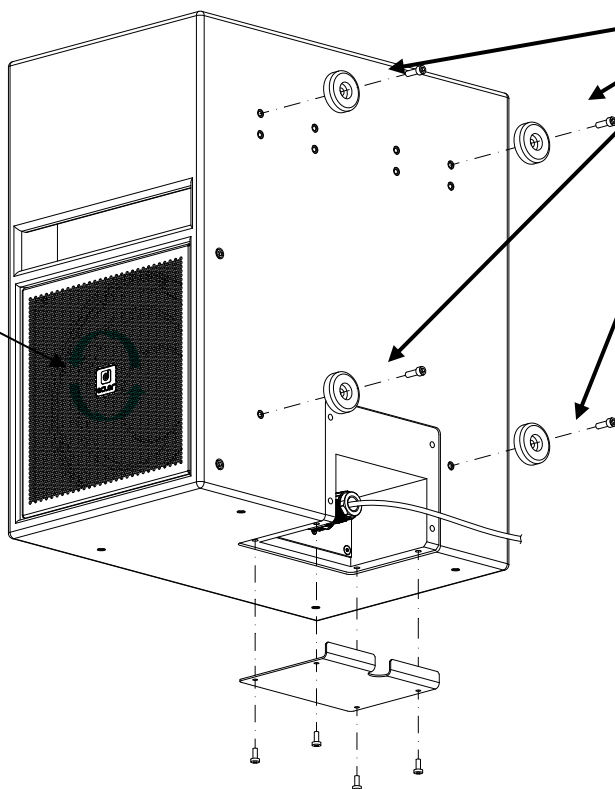
Remove the brackets



2

Attach the four-rubber feet supplied to the side of the unit.

Logo can be rotated as per your convenience



PRECAUTIONS

WARRANTY & ENVIRONMENT

PACKAGE CONTENTS

DESCRIPTION & FEATURES

CONNECTIONS

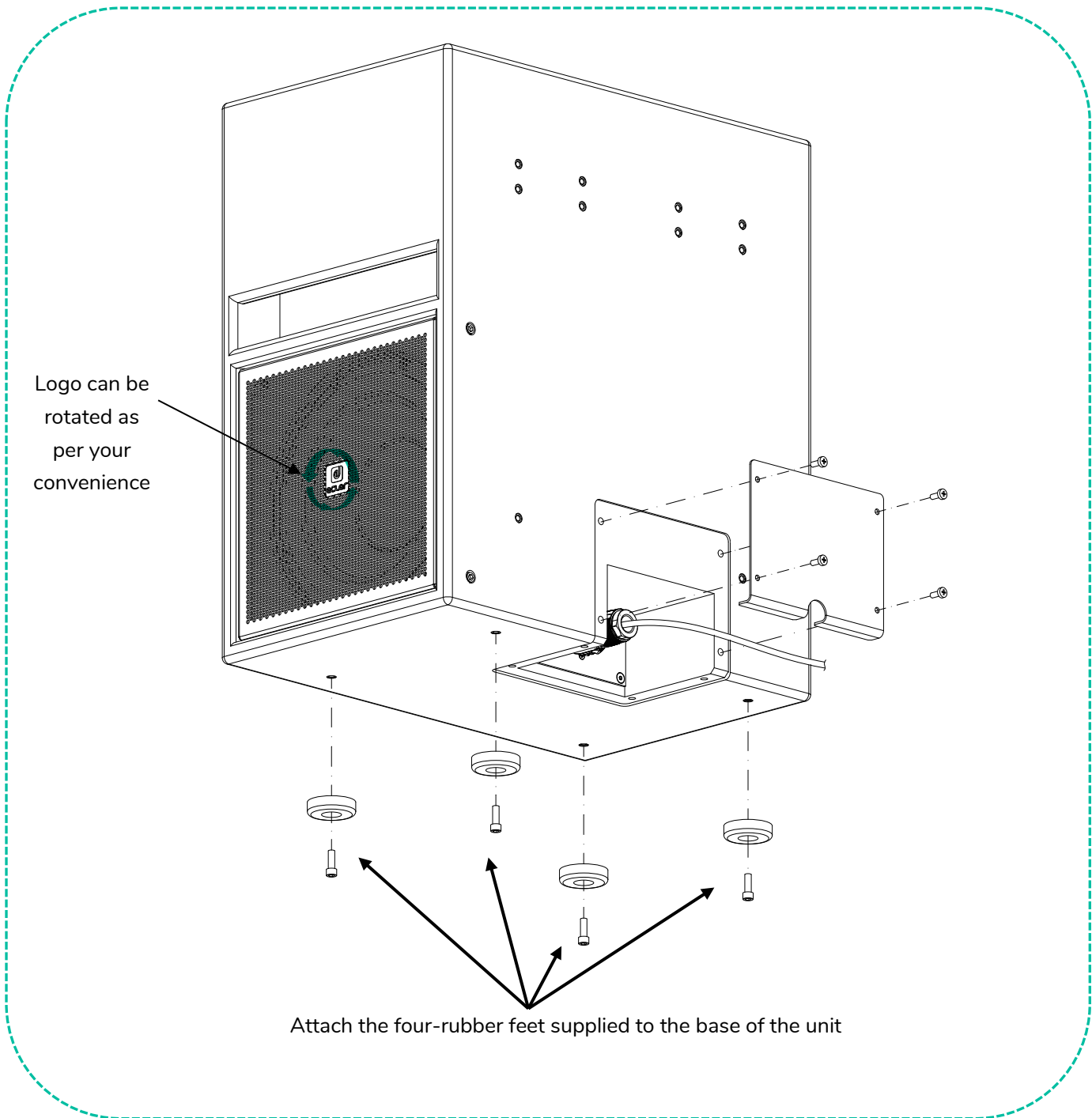
EQ SETTINGS

RECOMMENDED AMPLIFIER

POSITIONING & INSTALLATION

TECHNICAL DATA

8.2.2 Vertical Mount



PRECAUTIONS

WARRANTY & ENVIRONMENT

PACKAGE CONTENTS

DESCRIPTION & FEATURES

CONNECTIONS

EQ SETTINGS

RECOMMENDED AMPLIFIER

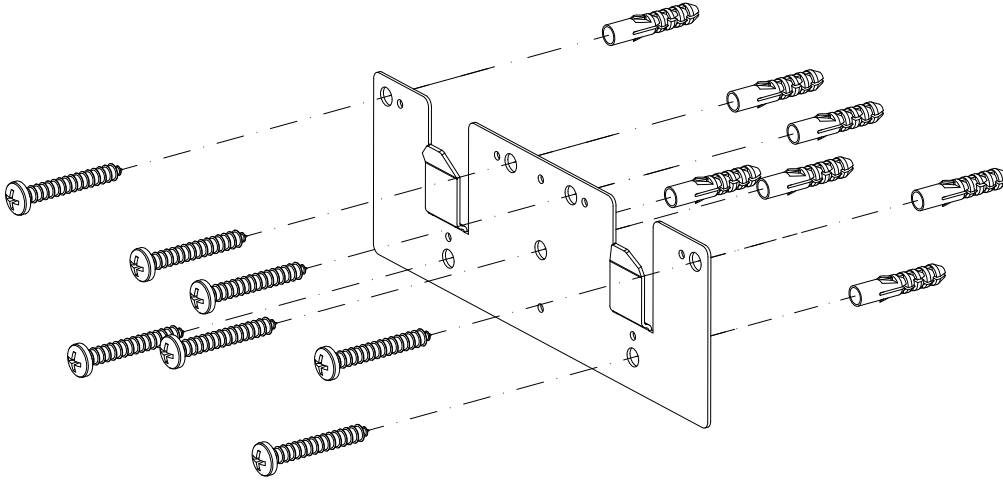
POSITIONING & INSTALLATION

TECHNICAL DATA

8.2.3 Wall Mount

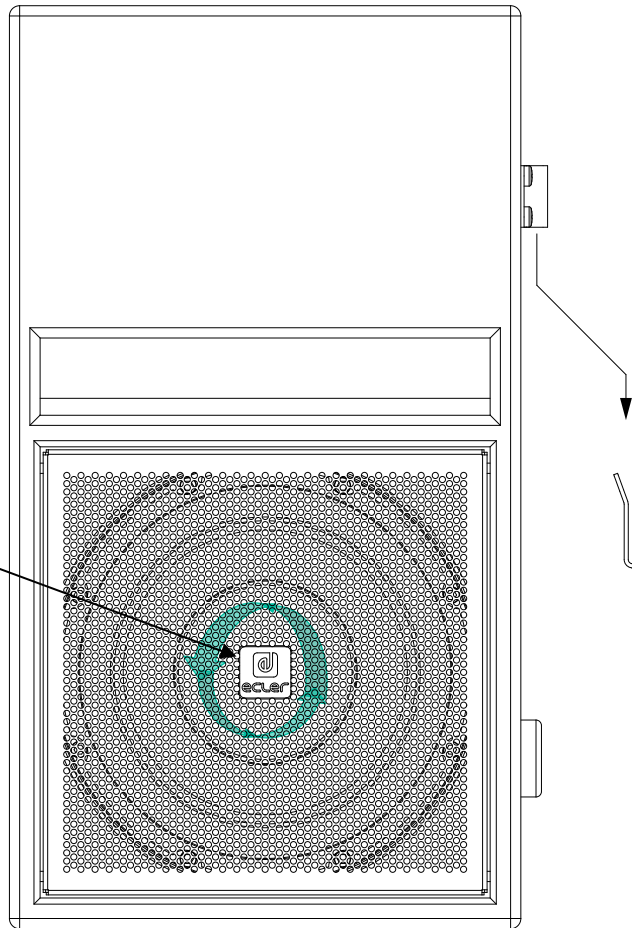
1

Fix the wall bracket to the wall
(dowels and screws not supplied)



2

Logo can be rotated
as per your
convenience



PRECAUTIONS

WARRANTY & ENVIRONMENT

PACKAGE CONTENTS

DESCRIPTION & FEATURES

CONNECTIONS

EQ SETTINGS

RECOMMENDED AMPLIFIER

POSITIONING & INSTALLATION

TECHNICAL DATA

9. TECHNICAL DATA

9.1 Technical Specifications

KICK-SB18

SYSTEM	
Effective Freq. Range ¹	25Hz-4.8kHz (-10dB)
Power handling	350W RMS / 1400W Peak
Sensitivity ²	91 dB (1W/1m)
Maximum SPL ³	116db continuous / 122dB peak
Recommended amplifier power	700W RMS
TRANSDUCERS	
Ways	Subwoofer
Driver	Water resistant Treated Cone
Low frequency driver	1x 8" woofer
Nominal impedance	8Ω
FILTERS	
Crossover filter	No
Recommended High-Pass protection filter	40 Hz with minimum 12 dB / octave filter
PHYSICAL	
Connection type	2 x SPEAKON® 4C
Installation options	Surface, Wall mounting
Environmental	IP46 rated
Enclosure material	18mm Plywood birch with Polyurea coating
Grille material	Aluminium
Grille fixing system	Screws
Operating temperature	Min: -10°C ; 14°F Max: 50°C ; 122°F
Operating humidity	<85% HR
Storage temperature	Min: -10°C ; 14°F Max: 40°C ; 104°F
Storage humidity	<90% HR
Included accessories	<ul style="list-style-type: none"> • 4 x Rubber foot (screws included) • 1 x Wall support system (screws not included) • 2 x Speakon®
Finished colour	Black (RAL 9005)
Dimensions (WxHxD)	400 x 450 x 250 mm / 15.75 x 17.72 x 9.84 in
Weight	14 Kg / 30.86 lb
Pieces per box	1
Shipping dimensions (WxHxD)	560 x 355 x 495 mm / 22.05 x 13.98 x 19.49 in.
Shipping weight	17.3 Kg / 38.14 lb

¹ Below the sound pressure level at specified sensitivity

² Measured on-axis, far field and referenced to 1 meter by inverse square law. Average from 100 Hz to 1 kHz.

³ Calculated from sensitivity and power handling specifications, exclusive of power compression



PRECAUTIONS

WARRANTY & ENVIRONMENT

PACKAGE CONTENTS

DESCRIPTION & FEATURES

CONNECTIONS

EQ SETTINGS

RECOMMENDED AMPLIFIER

POSITIONING & INSTALLATION

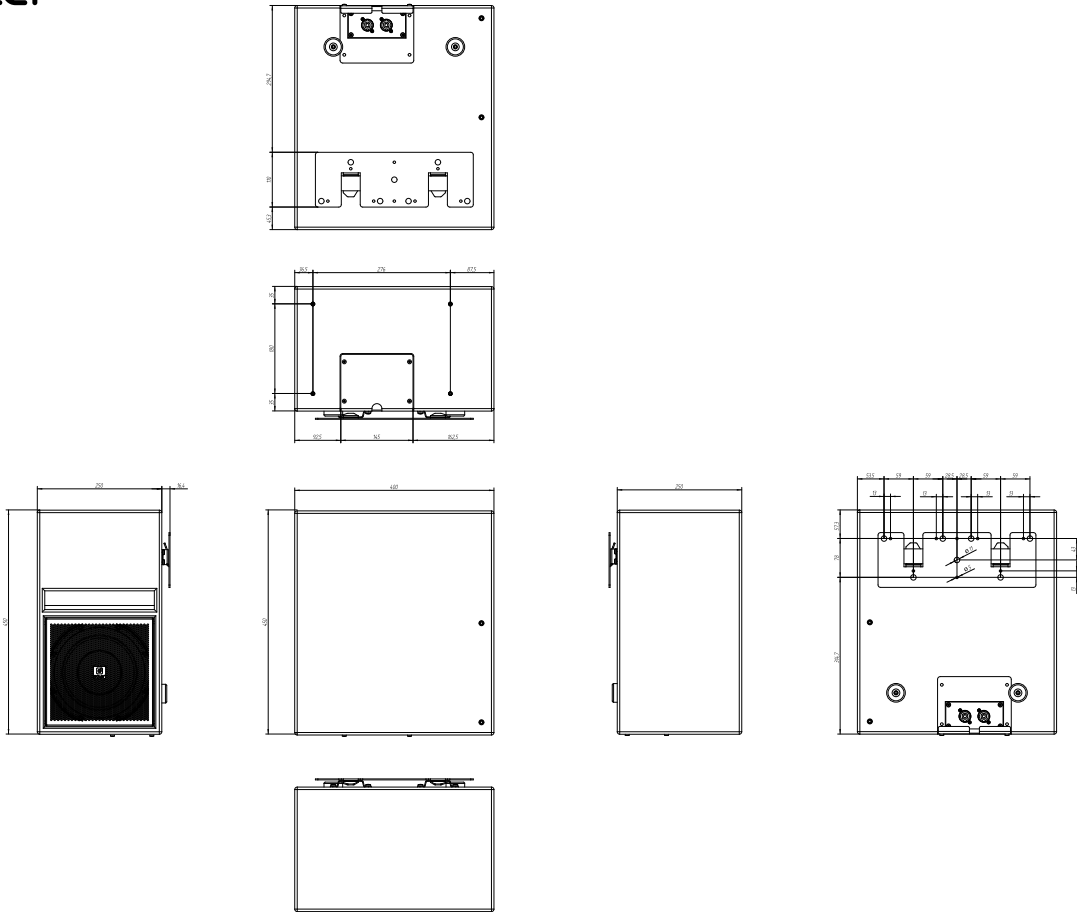
TECHNICAL DATA

9.2 Mechanical Diagram

All measurements are in mm.



Ecler KICK-SB18 Mechanical Diagram



All the measurements are in mm

61-1146-0200

www.ecler.com



PRECAUTIONS

WARRANTY & ENVIRONMENT

PACKAGE CONTENTS

DESCRIPTION & FEATURES

CONNECTIONS

EQ SETTINGS

RECOMMENDED AMPLIFIER

POSITIONING & INSTALLATION

TECHNICAL DATA



PRECAUTIONS

WARRANTY &
ENVIRONMENT

PACKAGE
CONTENTS

DESCRIPTION &
FEATURES

CONNECTIONS

EQ
SETTINGS

RECOMMENDED
AMPLIFIER

POSITIONING &
INSTALLATION

TECHNICAL
DATA



All product characteristics are subject to variation due to production tolerances. **NEEC AUDIO BARCELONA S.L.** reserves the right to make changes or improvements in the design or manufacturing that may affect these product specifications.

For technical queries contact your supplier, distributor or complete the contact form on our website, in [Support / Technical requests](#).

Motors, 166-168 | 08038 Barcelona, Spain | Tel. (+34) 932238403 | information@ecler.com | www.ecler.com