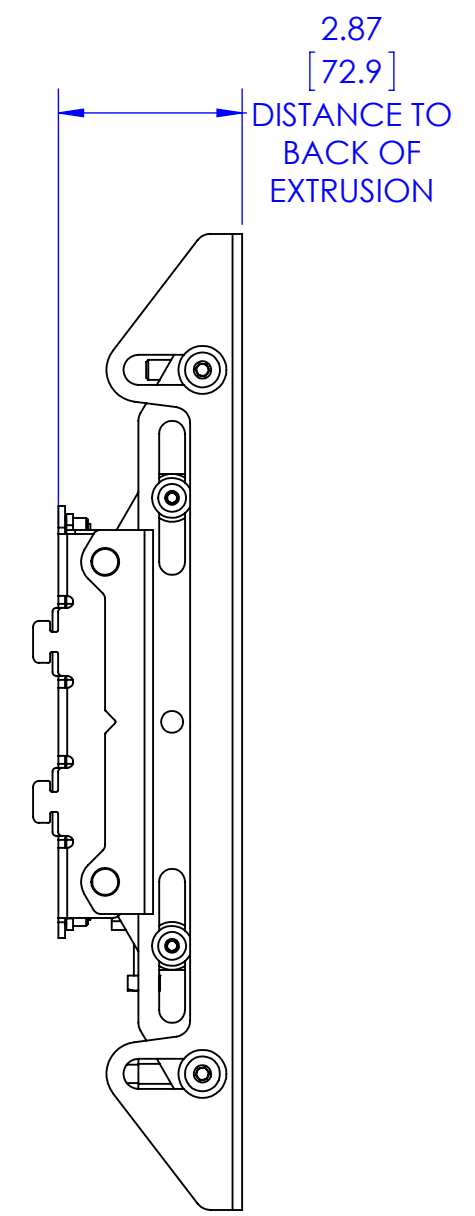
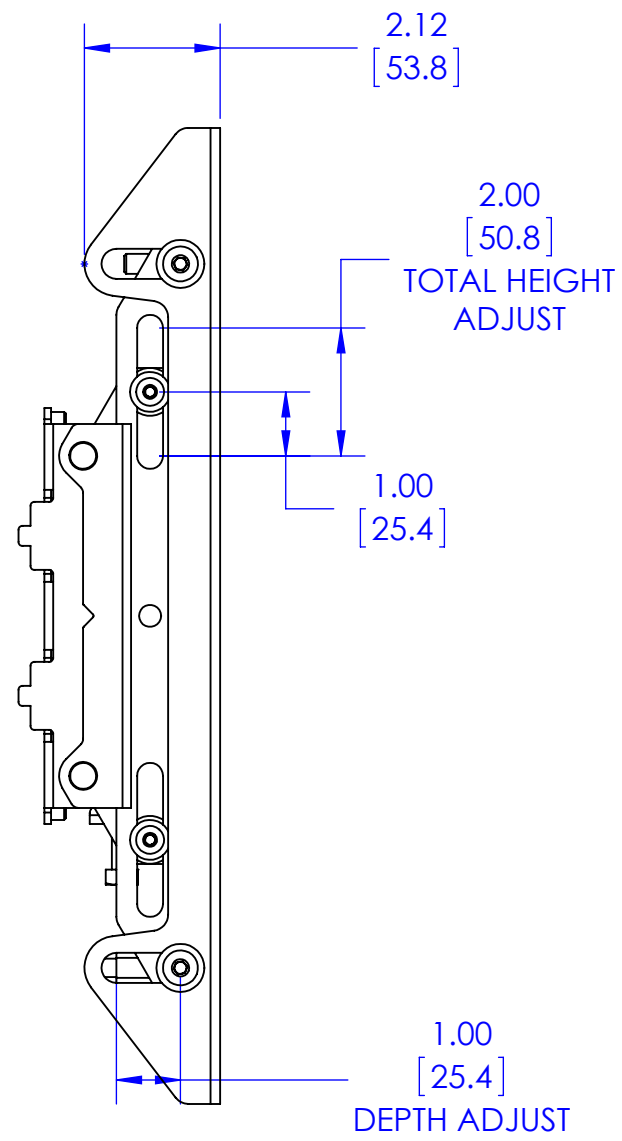
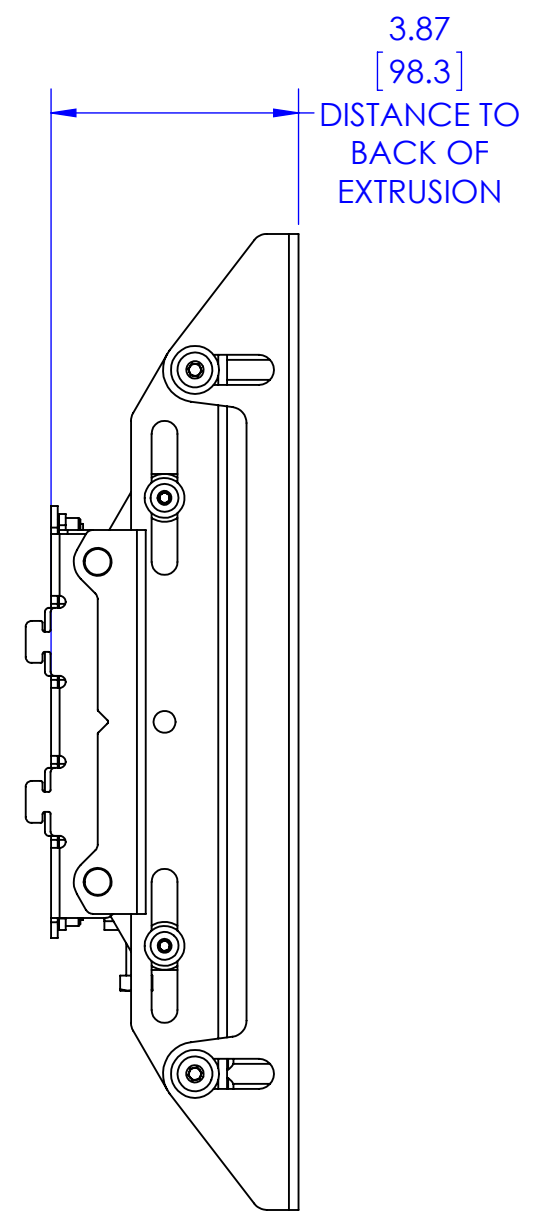


SHOWN WITH HEIGHT ADJUST AT CENTER



MINIMUM DEPTH



MAXIMUM DEPTH

THE INFORMATION AND DESIGNS CONTAINED IN THIS DRAWING ARE CONFIDENTIAL AND THE PROPRIETARY PROPERTY OF MILESTONE AV TECHNOLOGIES NEITHER THIS DESIGN NOR ANY INFORMATION CONTAINED IN THIS DRAWING MAY BE REPRODUCED OR DISCLOSED TO OTHERS WITHOUT THE EXPRESS WRITTEN CONSENT OF MILESTONE AV TECHNOLOGIES.

CAD GENERATED DRAWING, DO NOT MANUALLY UPDATE.		
DRAWN BY	JAB	2/10/2016
ENG APPROVAL		
MFG APPROVAL		
QA APPROVAL		
SHEET 1 OF 1		SCALE 1:3

CHIEF 6436 CITY WEST PKWY
EDEN PRAIRIE MN, 55344
PHONE: 866-977-3901
FAX: 877-894-6918

DESCRIPTION
MODULAR MENU-BOARD WALL ATTACHMENT FLOATING WITH DEPTH ADJUSTMENT

MODEL NO. **FMSWA**

SIZE **B** DWG. NO. **TECH-000766** REV. **00**