






## BEFORE YOU BEGIN

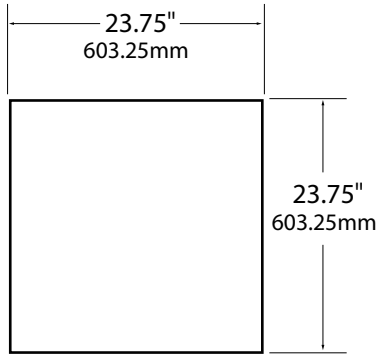
- Contractor is responsible for adequately reinforcing walls and/or ceilings for product installation.
- Middle Atlantic Products accepts no responsibility for inadequately reinforcing and preparing walls and/or ceilings.
- The information contained in this drawing is the sole property of Middle Atlantic Products. Any reproduction in part or whole without the written permission of Middle Atlantic Products is prohibited.

## INSTRUCTION KEY

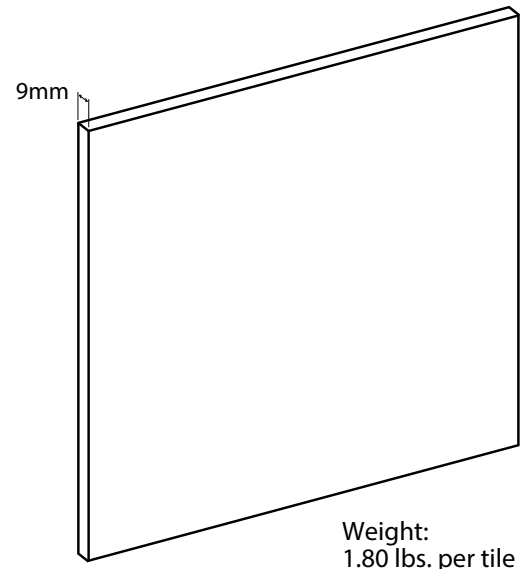
-  **ATTENTION**
-  **SEE ADDITIONAL INSTRUCTIONS**
-  **POWER OFF**
-  **POWER ON**
-  **LEVEL**

## COMPONENT KEY

### FOCAL POINT



**Square Tiles**





TILES CAN BE TRIMMED TO SIZE WITH UTILITY KNIFE OR TABLE SAW

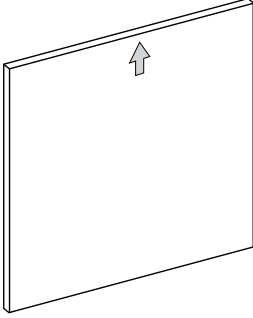



CONSTRUCTION ADHESIVE OR DOUBLE-SIDED TAPE RECOMMENDED FOR TILE INSTALLTION



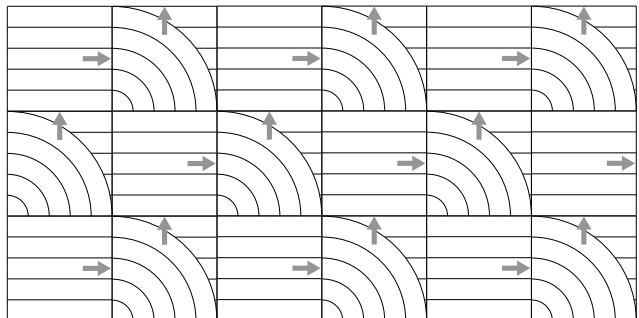
SEE ADHESIVE MANUFACTURER'S INSTRUCTIONS FOR SURFACE PREPARATION RECOMMENDATIONS

**1**



 ARROW ON BACK OF TILE INDICATES PRIMARY TILE ORIENTATION

**2** (OPTIONAL) USE ARROWS TO GUIDE TILE ROTATION TO CREATE DESIRED PATTERN



WIDE RULE & WIDE ARC NEW DECO HORIZONTAL PATTERN SHOWN FOR EXAMPLE

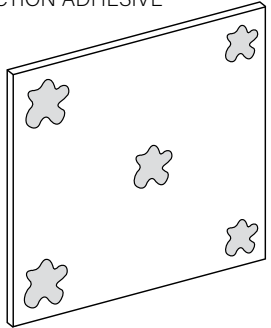
**3**



APPLY ADHESIVE TO BACK OF TILE

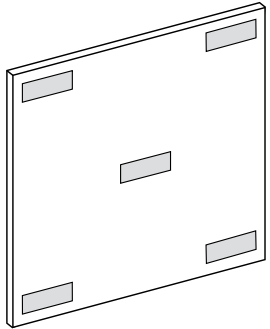
SEE MANUFACTURER'S INSTRUCTIONS FOR ADHESIVE APPLICATION RECOMENDATIONS

CONSTRUCTION ADHESIVE

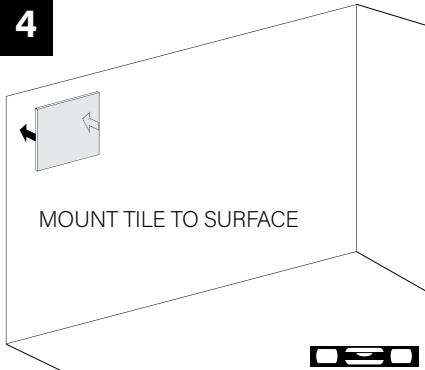


DO NOT APPLY ADHESIVE TOO CLOSE TO EDGES OF TILE TO PREVENT SQUEEZE-OUT

DOUBLE-SIDED TAPE

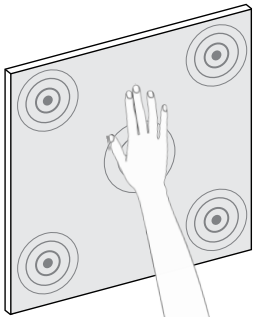


**4**

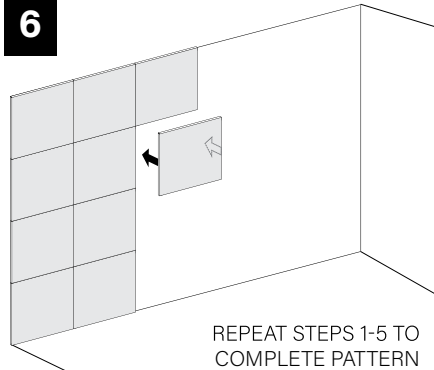


MOUNT TILE TO SURFACE

**5** APPLY PRESSURE TO AREAS WHERE ADHESIVE HAS BEEN APPLIED



**6**



REPEAT STEPS 1-5 TO COMPLETE PATTERN