

# Pull Out Cable Management

## Installation Guide



### Installation Guide

---

This guide helps you to install Ochno Pull Out Cable Management kit in a few easy steps.  
Go to [www.ochno.com/support](http://www.ochno.com/support) to view more support information and get the latest updates.  
You can also scan the QR code and open the support page directly on your mobile.



### Check what's in the box

---

Textile bag  
Safety Notice


Metal bracket

Weight

Installation Guide

# Description

For full installation of Ochno USB-C pull out cable system, the following parts are required:

<b>Product 1: Ochno Pull Out Cable Management kit: O-POS-CMGT</b>		
		
Textile bag	Weight	Metal bracket

One of the following Ochno pull out sockets:

<b>Product 2: Ochno Pull Out Socket</b>			
			
O-POS-AL-1 (aluminium)	O-POS-BL-1 (black)	O-POS-LED-AL-1 (aluminium, with LED button)	O-POS-LED-BL-1 (black, with LED button)

One Ochno USB-C cable:

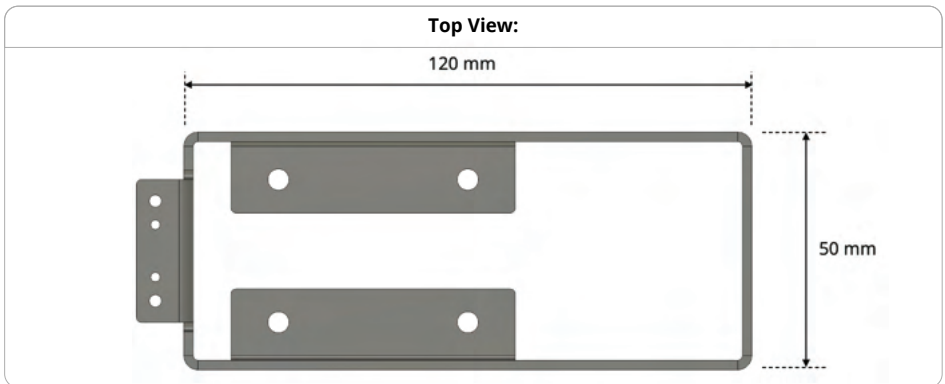
<b>Product 3: Ochno USB-C Cable</b>

For list of all compatible USB-C cables, see <a href="http://www.ochno.com/products">www.ochno.com/products</a>

# Product Dimensions

---

Detailed measurements for proper installation of the Ochno Pull Out Cable Management kit:



# Planning Installation: Placement and Cable Limits

---

Before starting the installation, it is crucial to plan where to position the Ochno Power Conference Switcher or Ochno Power Hub and the pull out socket. Proper placement ensures efficient cable management, optimal functionality, and a clean installation.

The placement of the socket depends on the length of the USB-C cable being used. Take time to carefully measure and verify distances before proceeding, as incorrect placement may impact the setup. Follow the steps below to ensure the best results.

## Step 1: Determine Placement

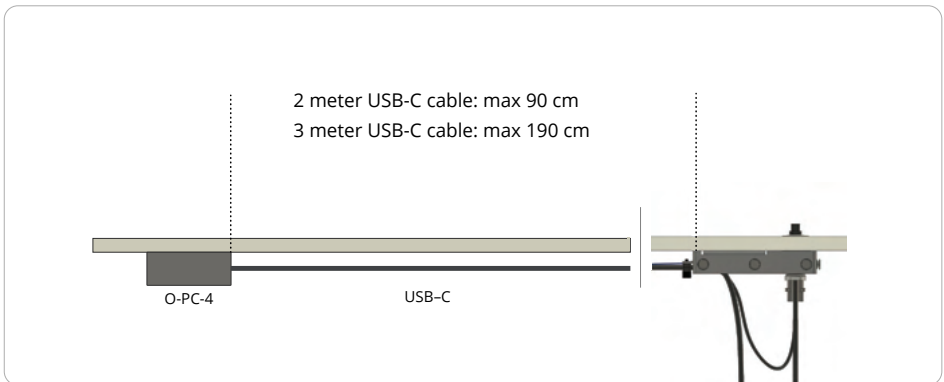
Decide where to position the Ochno Power Conference Switcher and the pull out socket's metal bracket under your table.

## Step 2: Cable Length Matters

- 2 meter USB-C cable:  
The socket must be installed no more than 90 cm from the Ochno USB-C input port.
- 3 meter USB-C cable:  
The socket must be installed no more than 190 cm from the Ochno USB-C input port.

## Step 3: Drill the Hole

Drill a 20mm hole in the table at the chosen location for the socket.



**NOTE!** For pull out sockets without LED buttons (O-POS-BL-1 or O-POS-AL-1) refer to the simplified guide starting on page 9.

# Installation O-POS-LED-XX-1

## Step 1

Unpack the socket.



**NOTE!**  
This cable is referenced  
as the "SBC Cable"

## Step 2

Remove the cable holder.



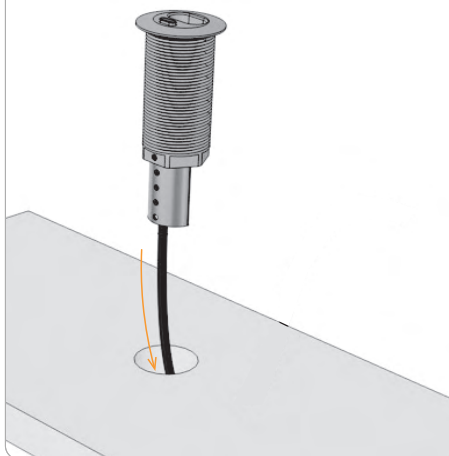
## Step 3

Remove the nut.



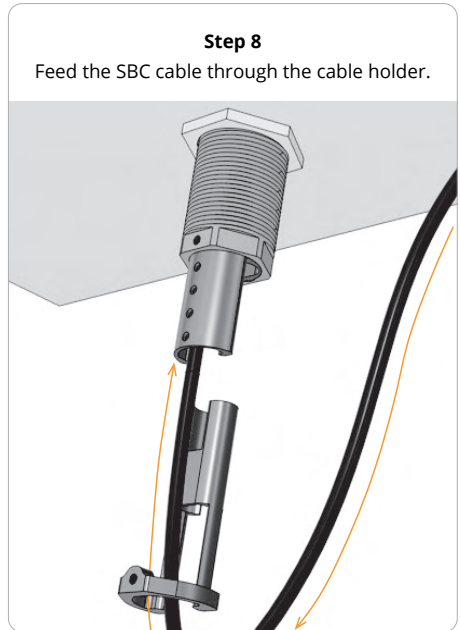
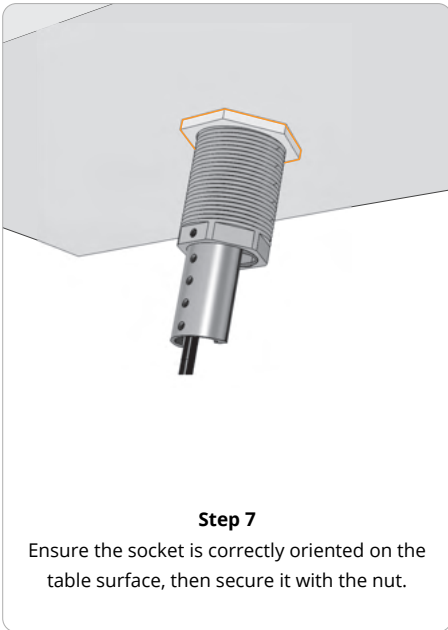
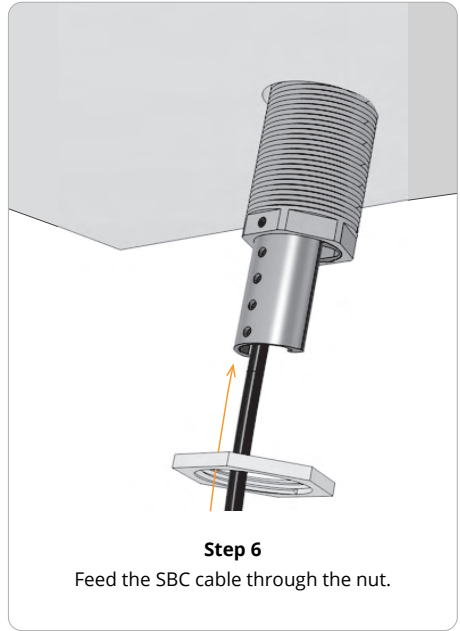
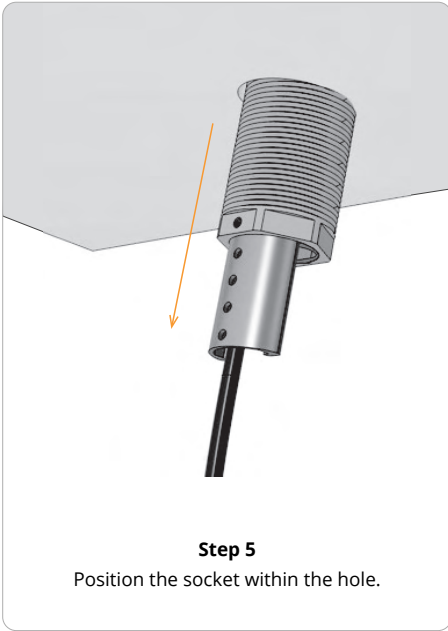
## Step 4

Feed the SBC cable through the 20mm hole.



# Installation O-POS-LED-XX-1

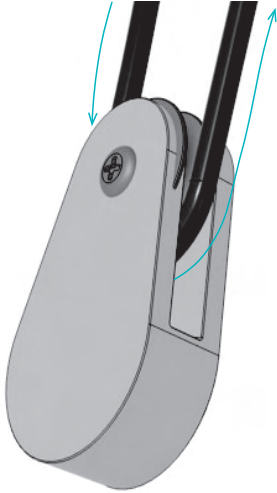
---



# Installation O-POS-LED-XX-1

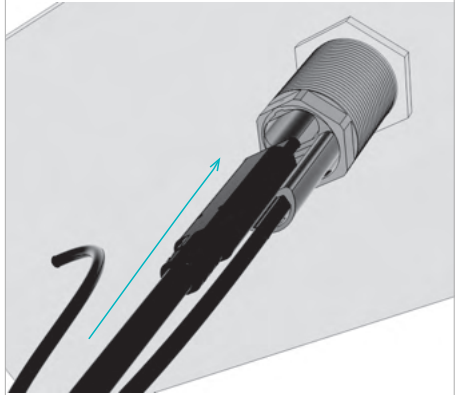
## Step 9

Feed the USB-C cable through the weight.



## Step 10

Feed the USB-C cable through the socket.



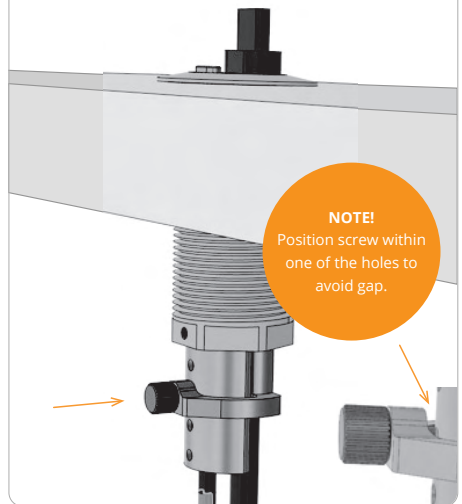
## Step 11

Position the cable holder in the socket.



## Step 12

Secure the cable holder at the desired height.



## Installation O-POS-LED-XX-1

---

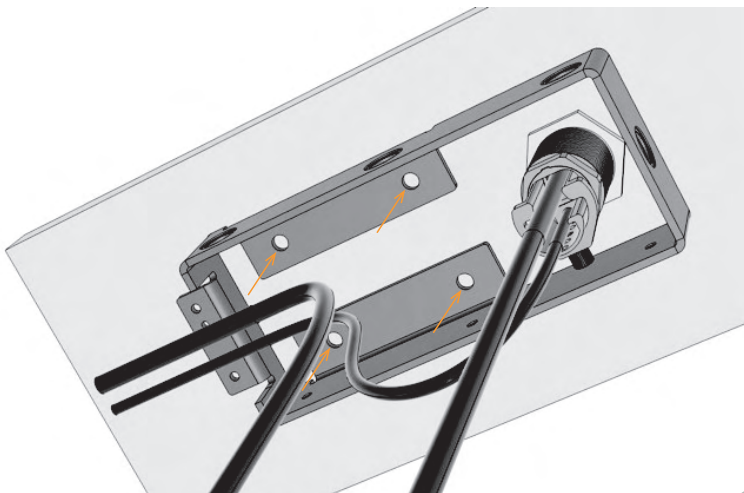
### Step 13

Center the socket within the bracket.



### Step 14

Attach the metal bracket to the table with the use of suitable screws.

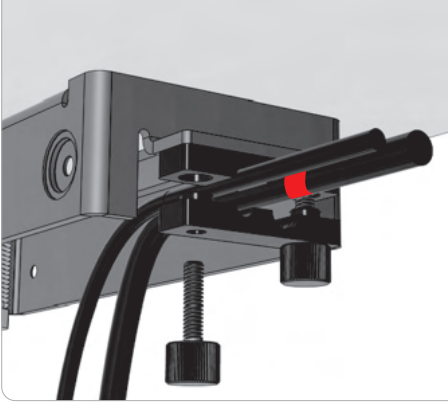




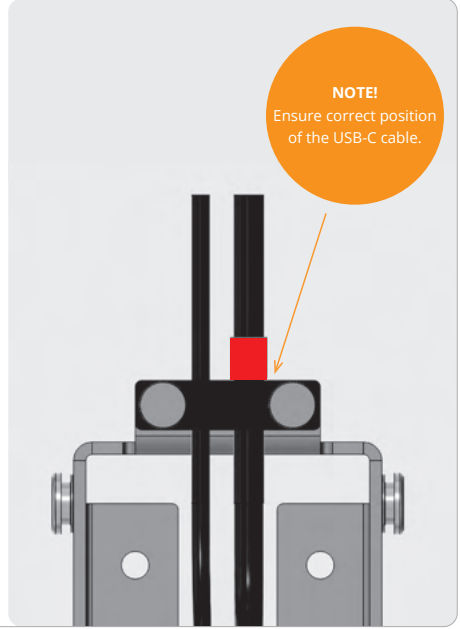
# Installation O-POS-LED-XX-1

## Step 15

Place the SBC and USB-C cables into the cable fixture. Important to align the USB-C cable with the red mark.

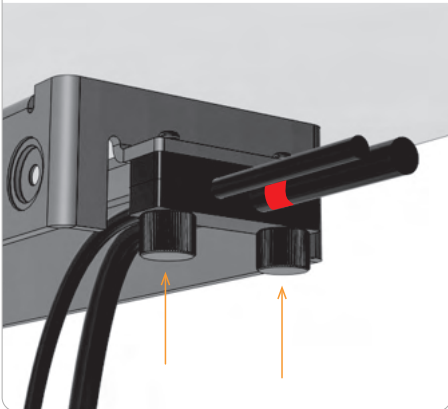


**NOTE!**  
Ensure correct position of the USB-C cable.



## Step 16

Secure the cables with screws.



## Step 17

Confirm that all parts are assembled as follows.



**NOTE!**  
Check if the weight touches the bottom of the bag. If so, pull the USB-C cable out slightly.

# Installation O-POS-LED-XX-1

---

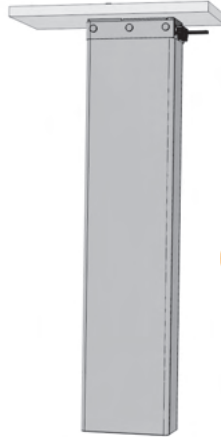
## Step 18

Assemble the bag with the buttons.



## Step 19

The installation is complete! Enjoy a clean table with easy access to charging, screen sharing and video conferencing.



DONE!

# Installation O-POS-XX-1

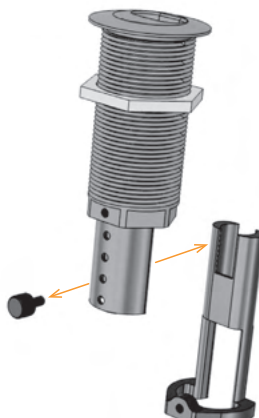
## Step 1

Unpack the socket.



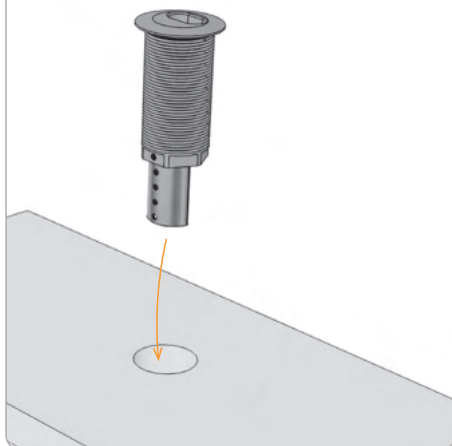
## Step 2

Remove the cable holder.



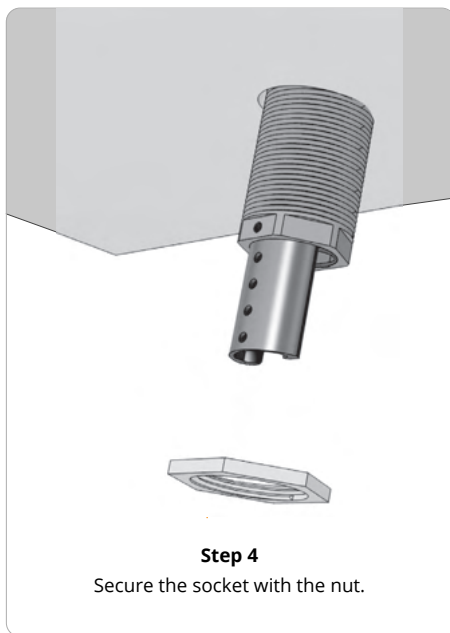
## Step 3

Align the socket to the 20mm hole.



## Step 4

Secure the socket with the nut.

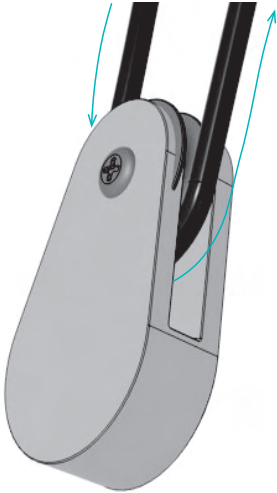


# Installation O-POS-XX-1

---

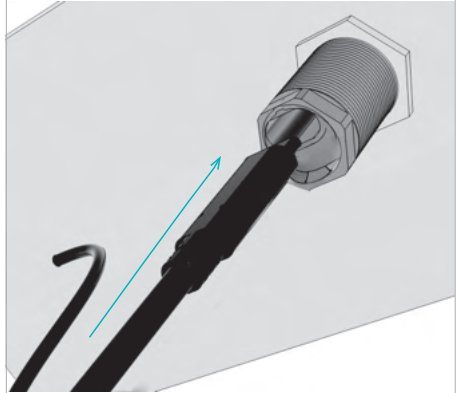
## Step 5

Feed the USB-C cable through the weight.



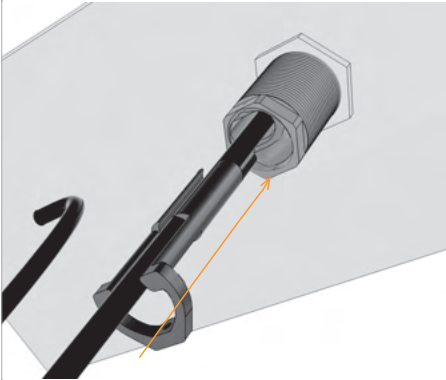
## Step 6

Feed the USB-C holder through the cable holder.



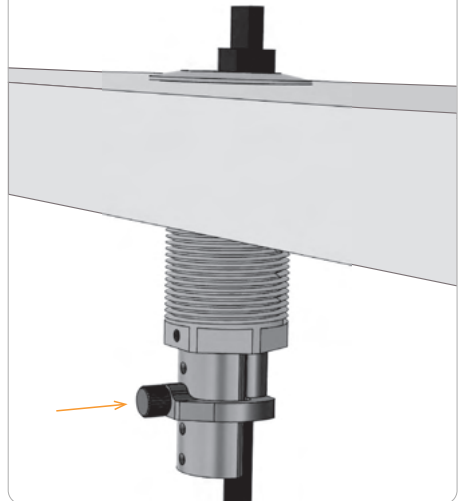
## Step 7

Position the cable holder in the socket.



## Step 8

Secure the cable holder at the desired height.

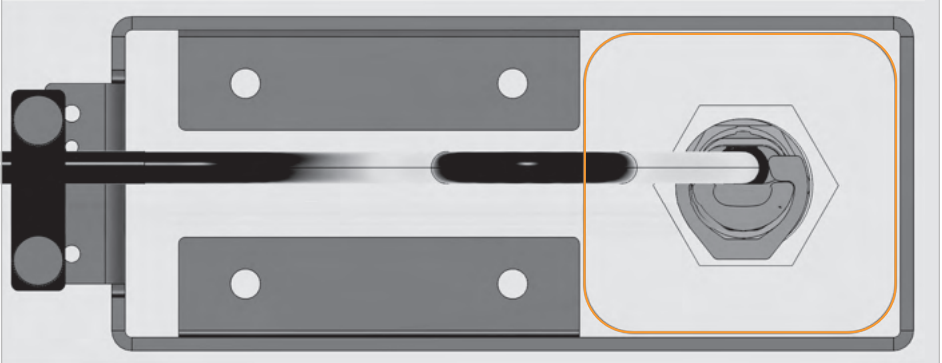


# Installation O-POS-LED-XX-1

---

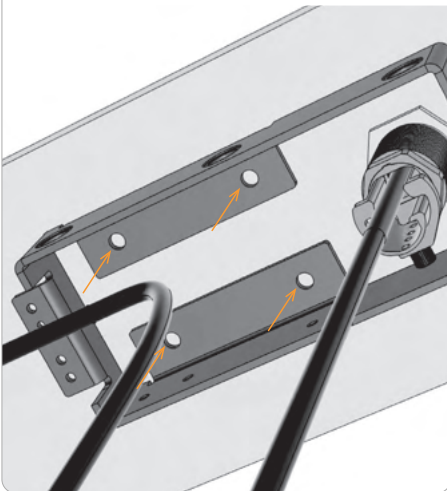
## Step 9

Center the socket within the bracket.



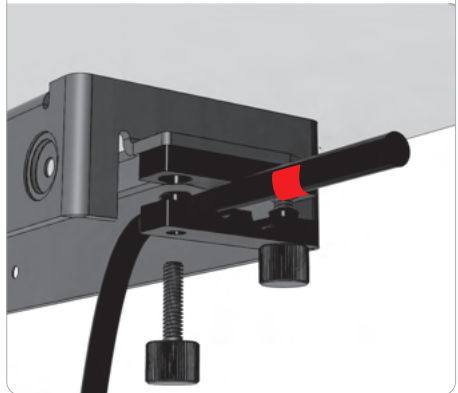
## Step 10

Attach the metal bracket to the table with the use of suitable screws.



## Step 11

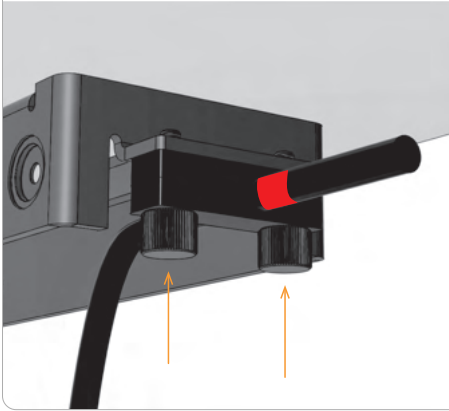
Place the USB-C cable into the cable fixture. Important to align the USB-C cable with the red mark:



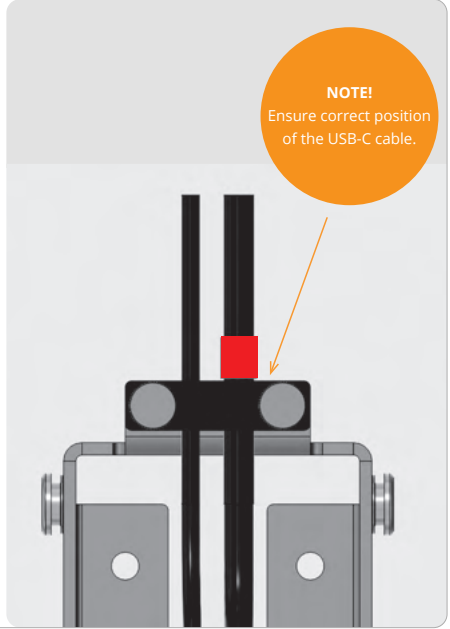
# Installation O-POS-XX-1

## Step 12

Secure the cable with screws.



**NOTE!**  
Ensure correct position  
of the USB-C cable.



## Step 13

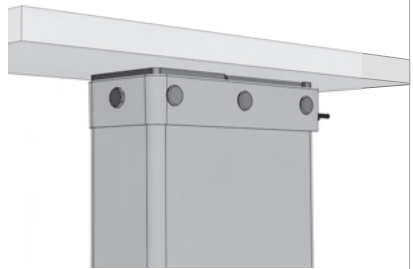
Confirm that all parts are assembled as follows.



**NOTE!**  
Check if the weight  
touches the bottom  
of the bag. If so, pull the  
USB-C cable out  
slightly.

## Step 14

Assemble the bag with the buttons.



# Installation O-POS-XX-1

---

## Step 15

The installation is complete! Enjoy a clean table with easy access to charging, screen sharing and video conferencing.



For more information, detailed instructions, and support, visit [www.ochno.com](http://www.ochno.com) or contact our customer service team.

---



**Ochno AB**

Badhusgatan 8  
722 15 Västerås, Sweden  
[www.ochno.com](http://www.ochno.com)

