

Eagle Eye EC01 Encoder

Installation and Quick Start Guide (Version 1.0 16 July 2024)



The Eagle Eye EC01 Encoder is a 16 channel HD over coax (HDoC) encoder that supports CVBS, TVI, CVI, and AHD. It has audio (RCA) and physical I/Os (16/4) with 4K local HDMI output and 2MP maximum input for HD signals. The EC01 supports the most popular versions of HDoC but requires that the cable be copper core RG59 or RG6.

1. Packing List

Table 1-1: Packing List

Component	Quantity	Remark
HD Network Video Codec	1	
Quick Start Guide	1	
Mouse	1	
Power Adapter	1	Optional
Power Cord	1	
Terminal Block	2	Optional

2. Device Structure

2.1 Device Ports

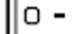

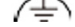
Note: Different devices may have different ports and multi-headed cables. Please refer to the actual product.

Figure 2-1: Rear Panel



Refer to Table 2-1 for descriptions of the rear panel parts.

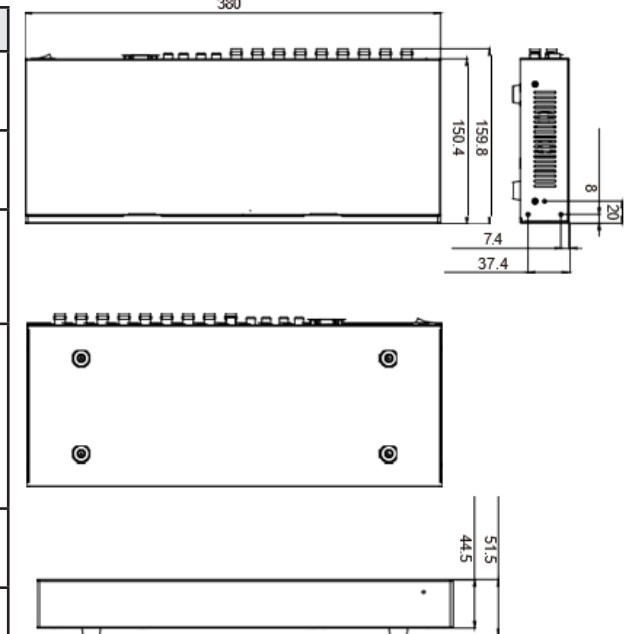
Table 2-1: Rear Panel Description

Name	Description
VIDEO IN Port	Plug in analog camera by coaxial line.
CVBS OUT	Output analog video signal.
AUDIO OUT/AUDIO IN	Audio output/Audio input.
LAN1/LAN2	RJ 45 100/1000 Mbps adaptive Ethernet interface. LAN1 is the default gateway and used for external networks. LAN2 is used for internal networks.
HDMI/VGA	Video output interface
USB	USB 2.0 port for USB flash drive or mouse
Alarm I/O	Alarm input/ Alarm output
	Power switch
	DC12V
	Ground

2.2 Device Dimensions

Note: Different devices may have different dimension. Please refer to the actual product.

Figure 2-2: Dimensions (unit: mm)



3. Device Operation

3.1 Before Starting up the Encoder

Before starting the encoder, ensure that it is properly connected to a power supply and that a monitor is connected to the HDMI or VGA interface of the encoder.

3.2 Special Functions

Some cameras have special functions. Please refer to the camera channels.

3.3 Power Off

To power off the encoder, turn off the power switch.

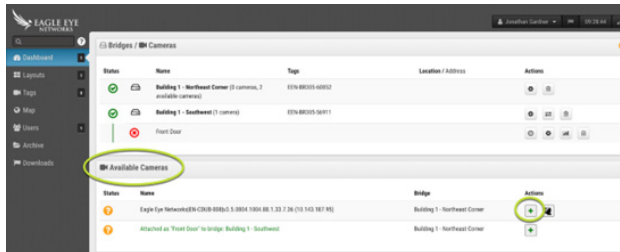
4. Quick Configuration

When powered on for the first time, the Encoder's wizard appears. Users can configure the system then or exit the wizard and do the configuration later.

5. Adding the Encoder to the VMS

Follow the steps below to add the encoder to the Eagle Eye Cloud VMS.

1. Under **Add Cameras** on the Dashboard, click the green plus icon.



2. Once the green check mark appears beside the encoder, all 16 analog channels will be available to add in the VMS under the **Channels** tab in camera settings.
3. Each channel corresponds to a labeled camera input on the encoder. If channel is added on the VMS without a camera plugged in to the corresponding channel, it will appear offline until a camera is plugged in.

6. Getting Support

Support is available to assist you 24 hours a day, 7 days a week, 365 days a year.

You can email support at support@een.com.

For immediate support, please call:

- US: +1-512-473-0501
- EMEA: +31 (0) 20 26 10 460
- APAC: +81-3-6868-5527

Version 20240725

Eagle Eye Networks, 3001 Bee Caves Road,
Suite 100, Austin, TX 78746
Phone: +1-512-473-0500 www.een.com

Copyright 2024 - Eagle Eye Networks. All rights reserved. Use of this product and this guide is subject to license. Eagle Eye Bridge is a trademark of Eagle Eye Networks.