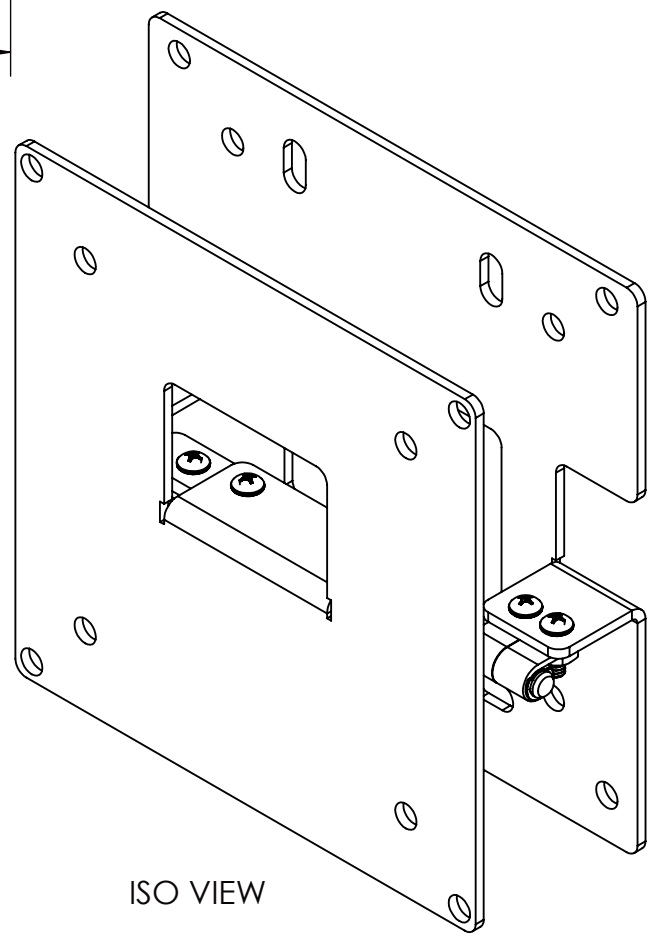
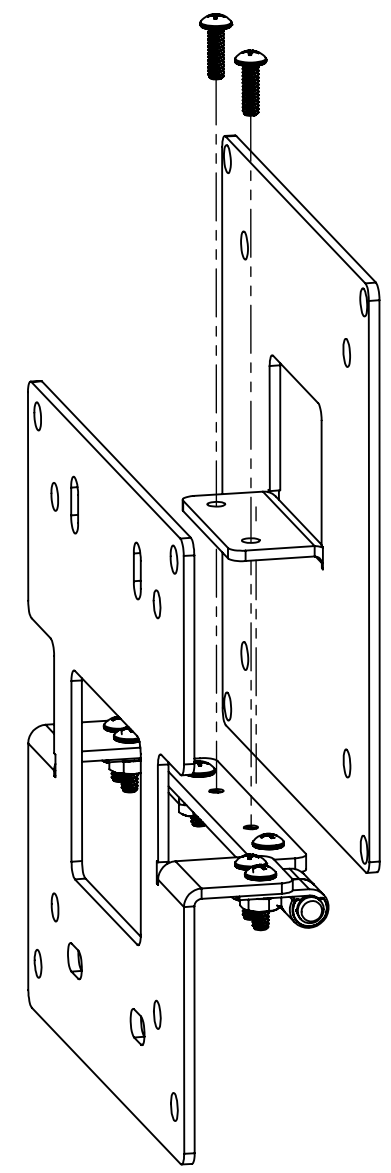
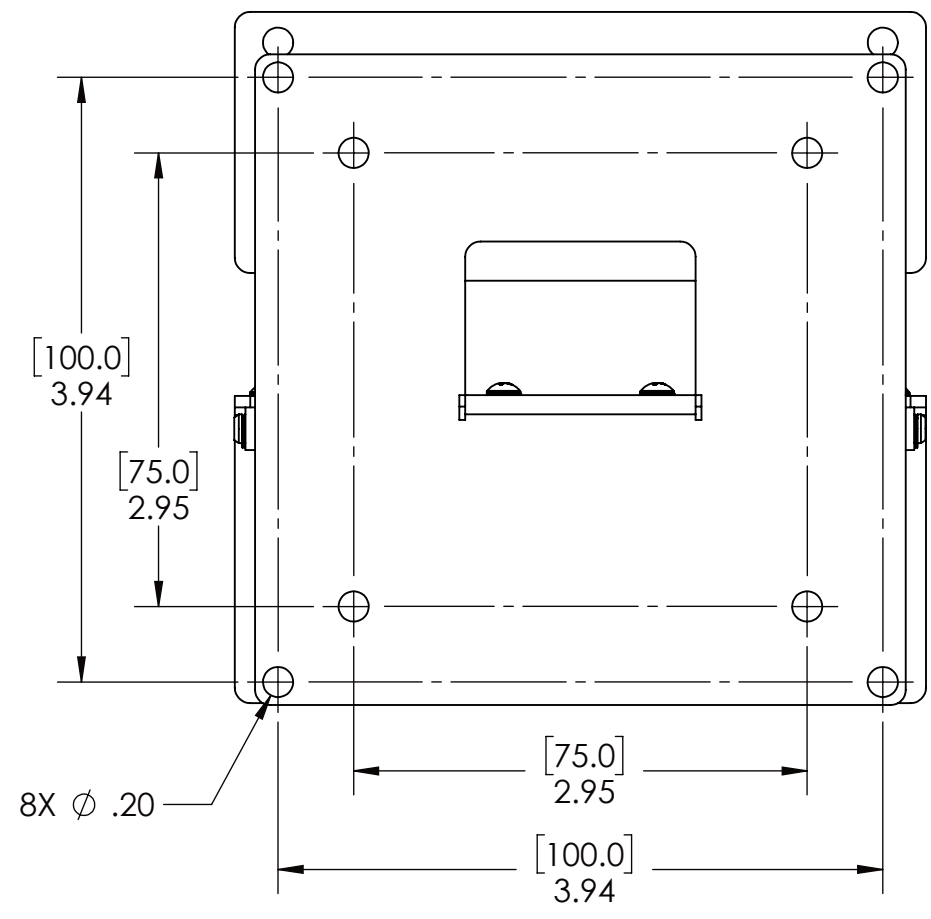
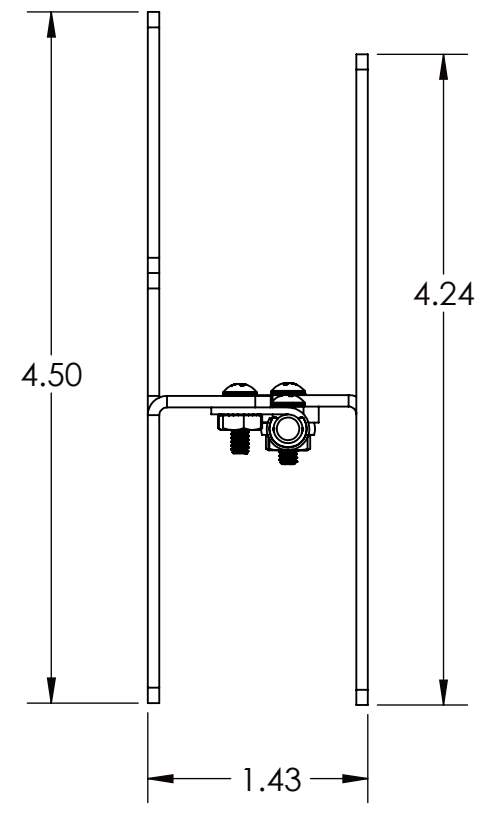
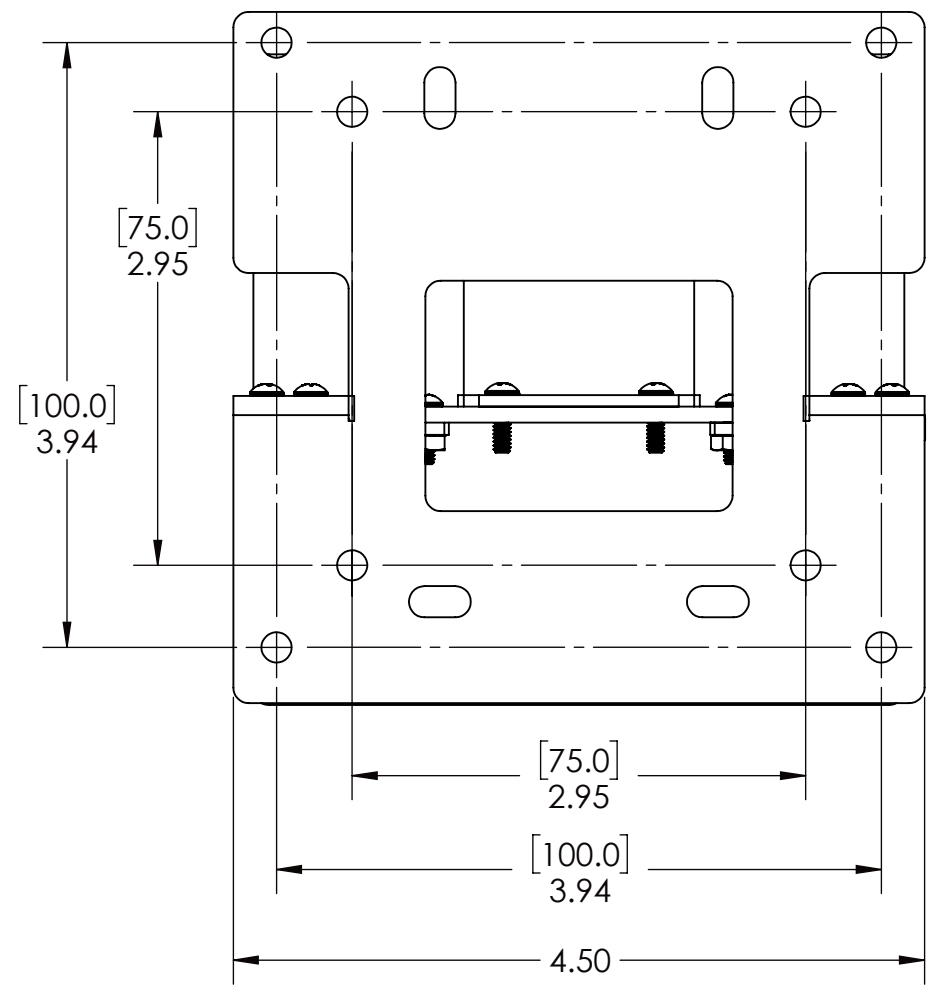


BACK VIEW

SIDE VIEW

FRONT VIEW



ISO VIEW

UNLESS OTHERWISE NOTED:
 DIMENSIONS ARE IN INCHES
 DIMENSIONAL LIMITS APPLY AFTER FINISH
 MACHINED SURFACES 125 ✓
 EDGES & FILLETS R .005/.015
 FRACTIONS ± 1/32
 ANGLES ± 1°
 DEC. .XX = ± .015
 .XXX = ± .005
 .XXXX = ± .0002

THIS DRAWING, INCLUDING ALL SUBJECT MATTERS INDICATED THERON OR DERIVED THEREFROM, COMPRISES PROPRIETARY INFORMATION AND IS THE EXPRESS PROPERTY OF LEGRAND AV INC. EMPLOYMENT, REPRODUCTION OF OR DISSEMINATION OF THIS DRAWING, IN WHOLE OR IN PART, WITHOUT WRITTEN PERMISSION OF LEGRAND AV INC IS STRICTLY FORBIDDEN.

VADDIO
 A brand of **legrand**

DRAWN	CHECKED	APPROVED	DATE
MATERIAL (VARIOUS)			SIZE
FINISH (VARIOUS)			SCALE 1:1

TITLE WALL MOUNT VADDIO DEVICE CONTROLLER	SHEET 1 OF 1	DRAWING NO. 535-2100-300	REV.
--	-----------------	-----------------------------	------