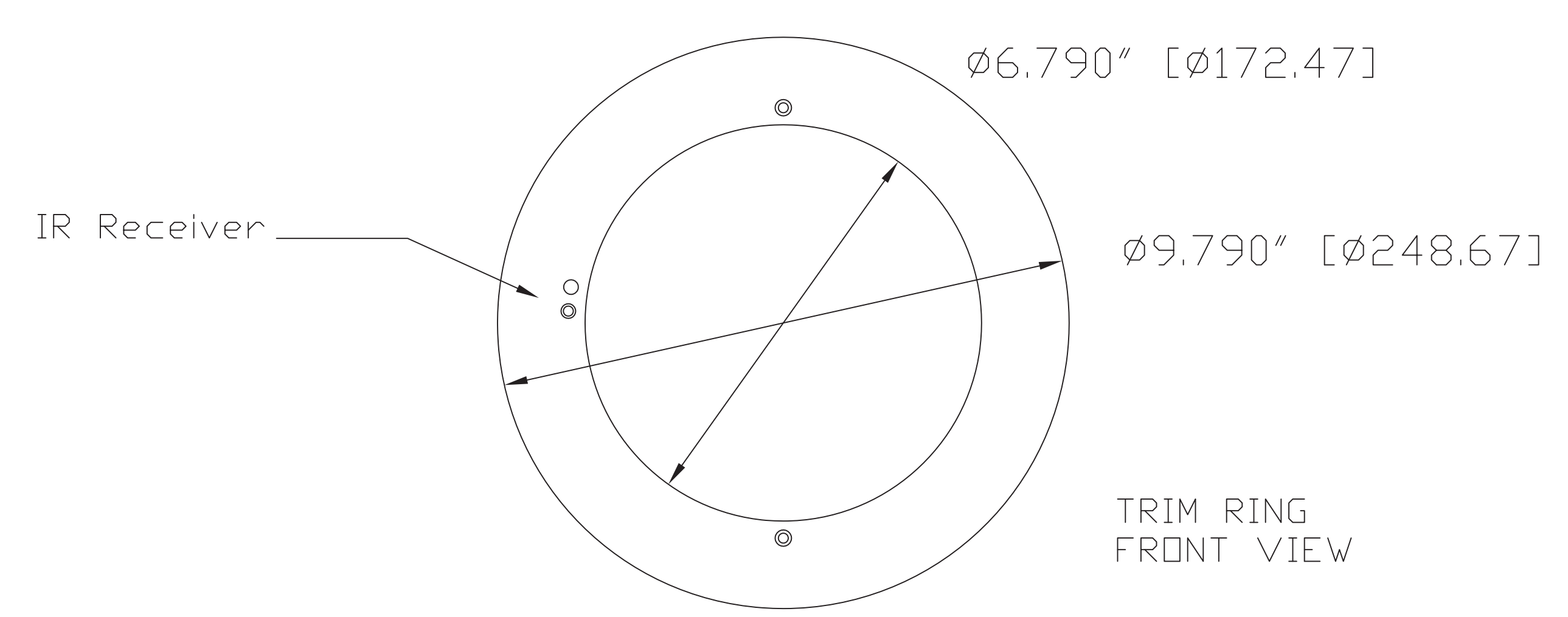
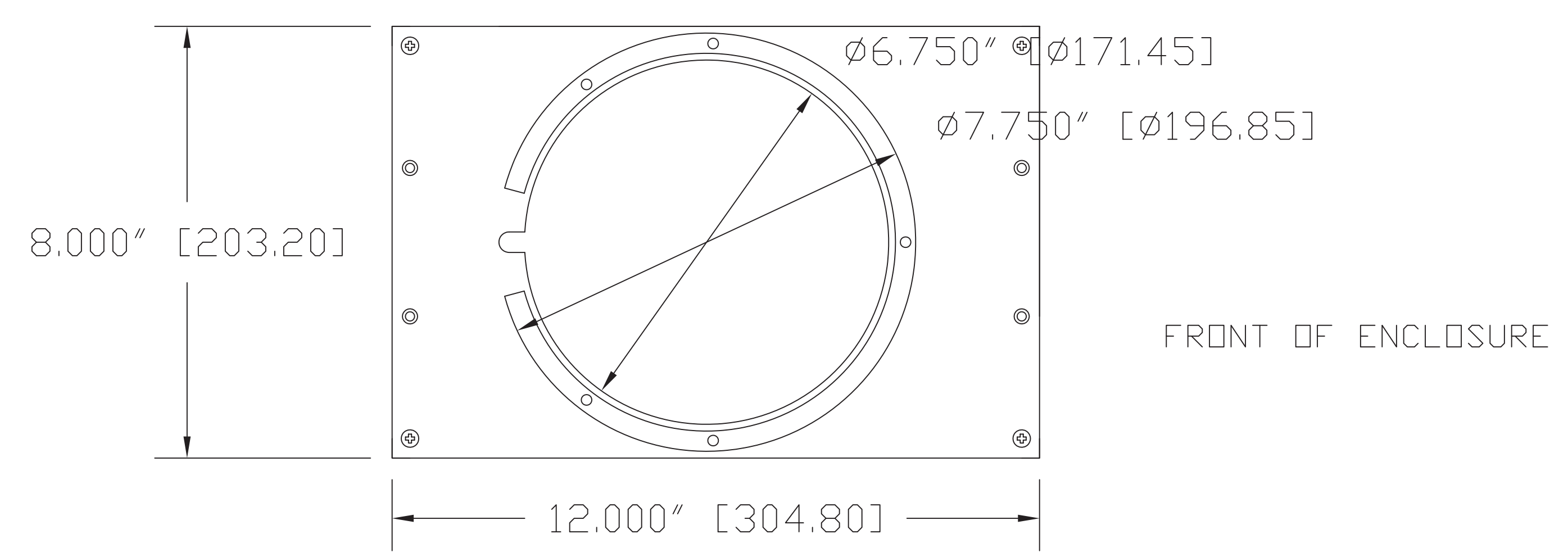
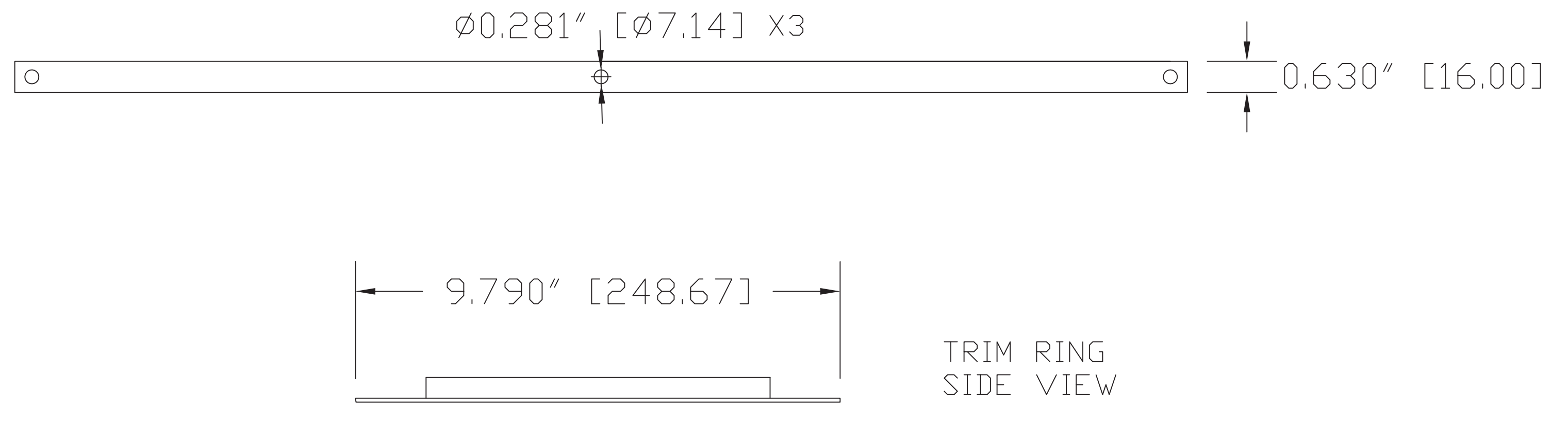
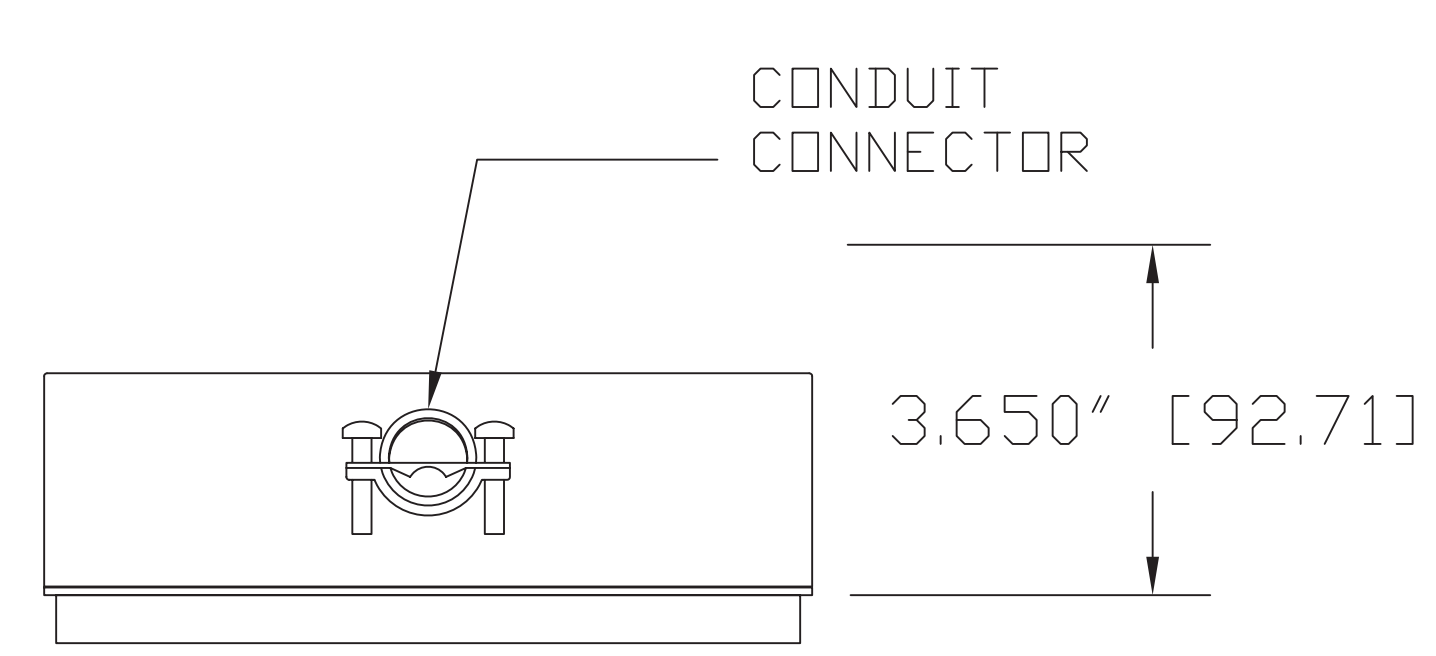
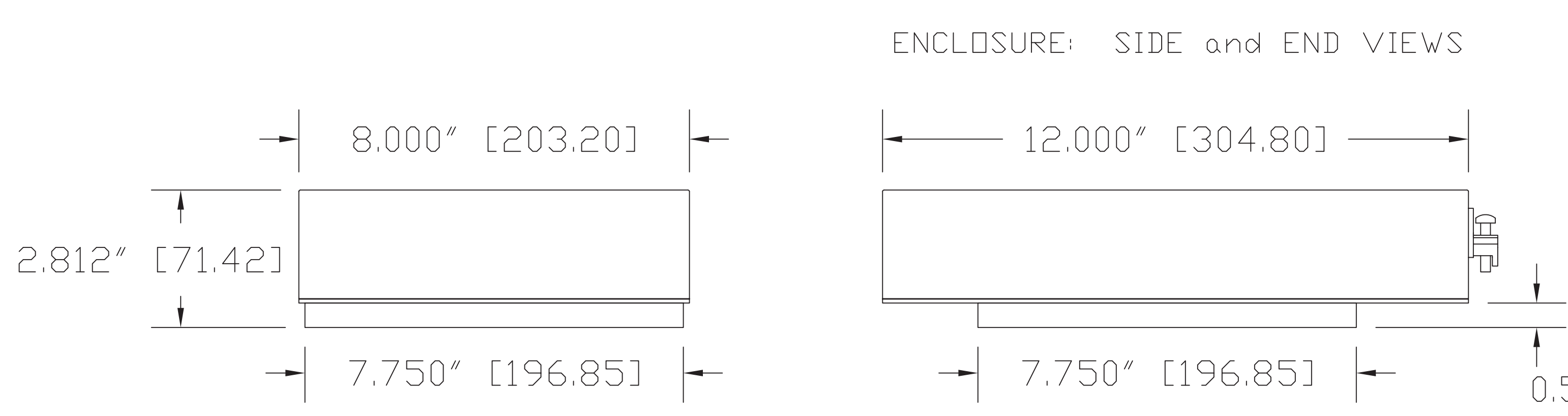
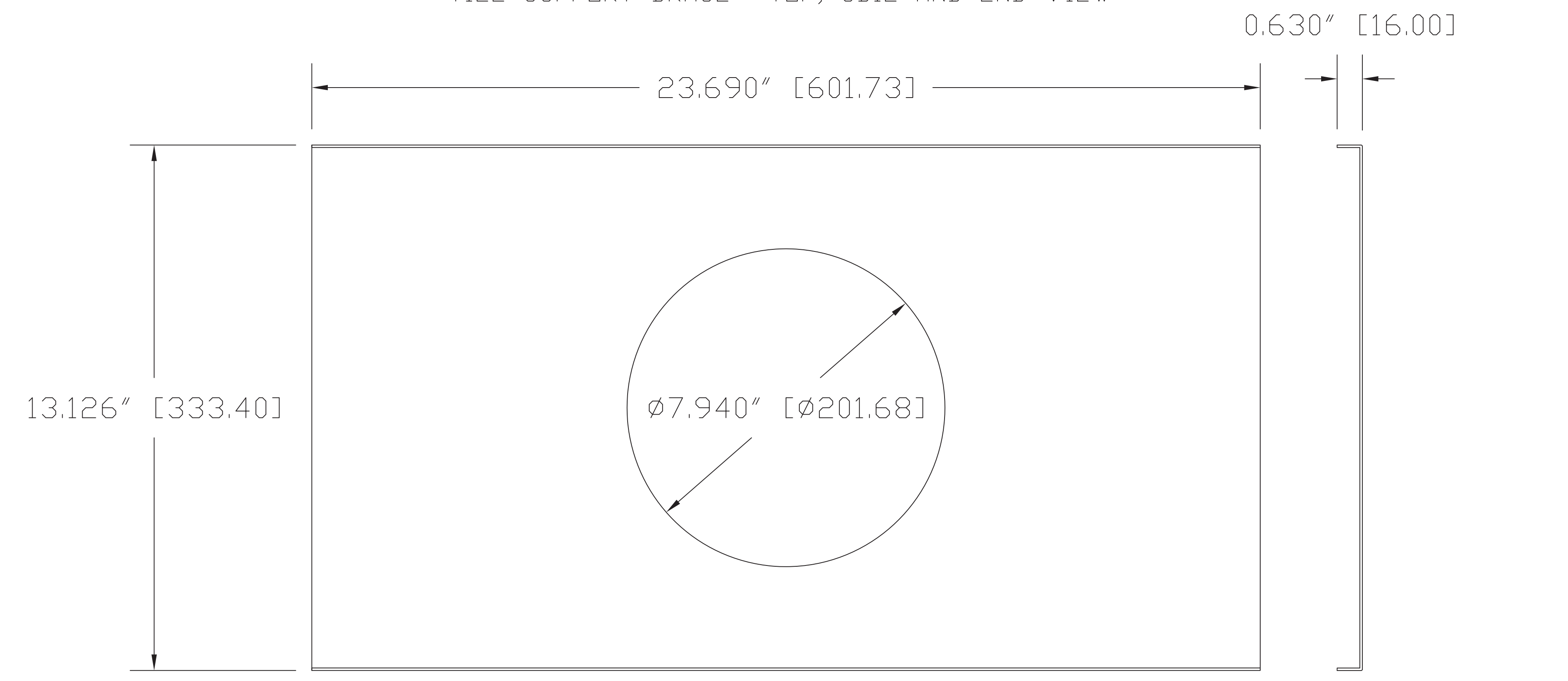
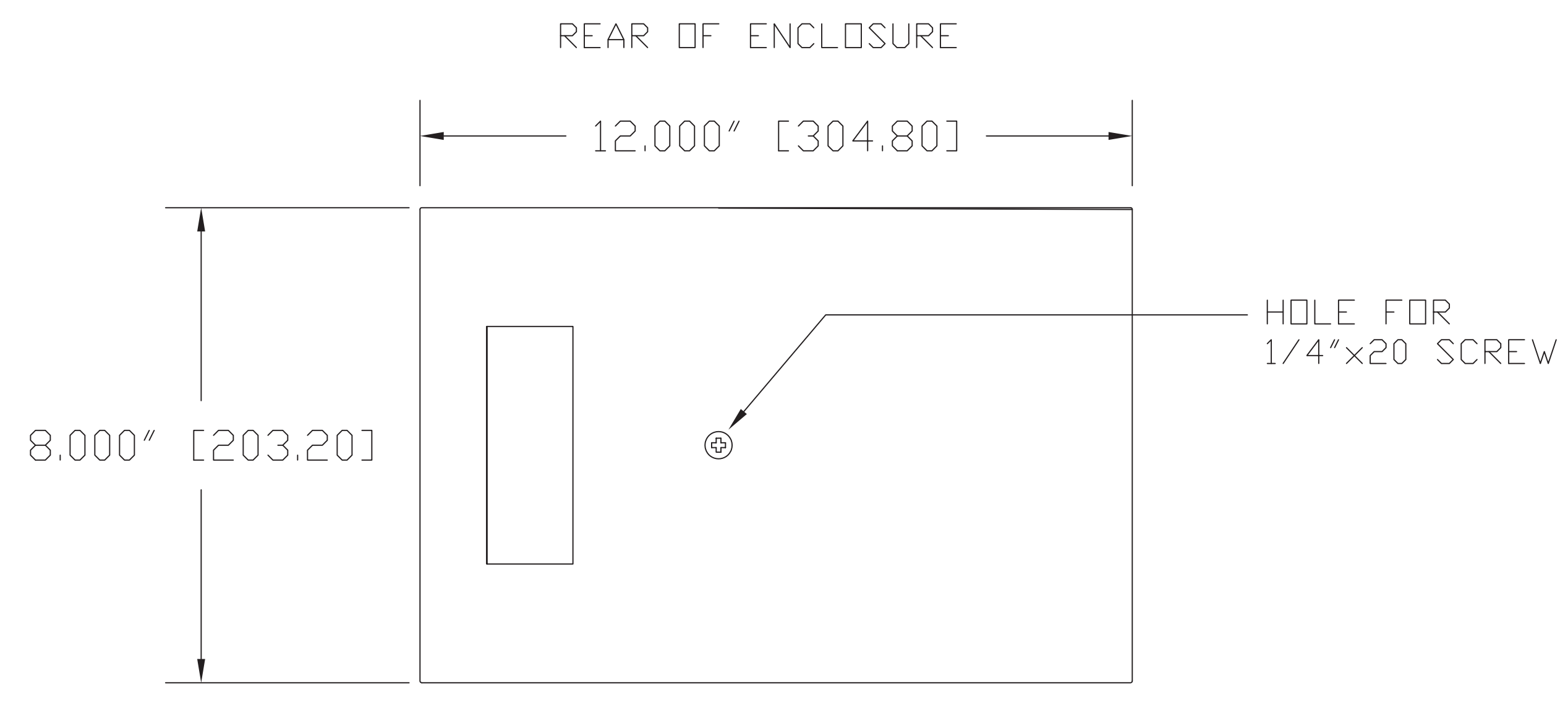
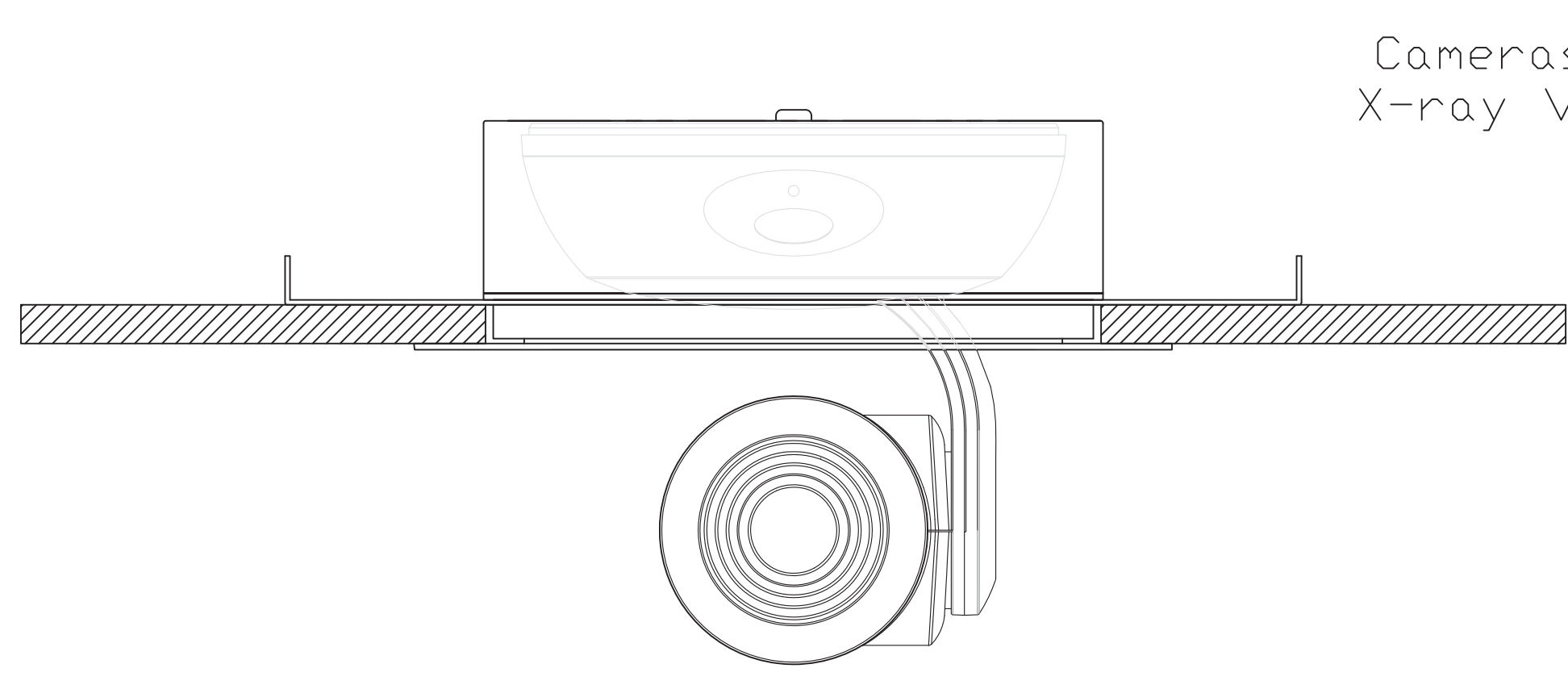


TILE SUPPORT BRACE: TOP, SIDE AND END VIEW

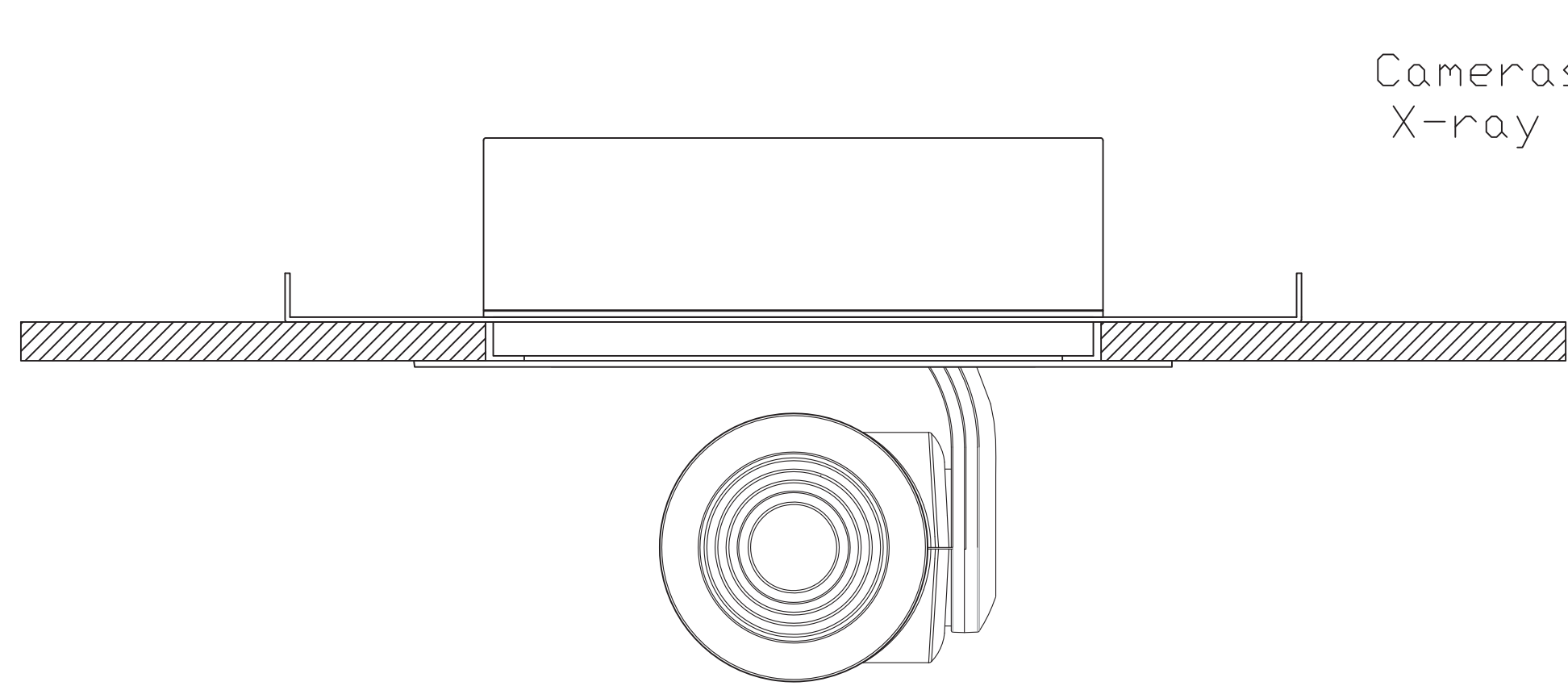
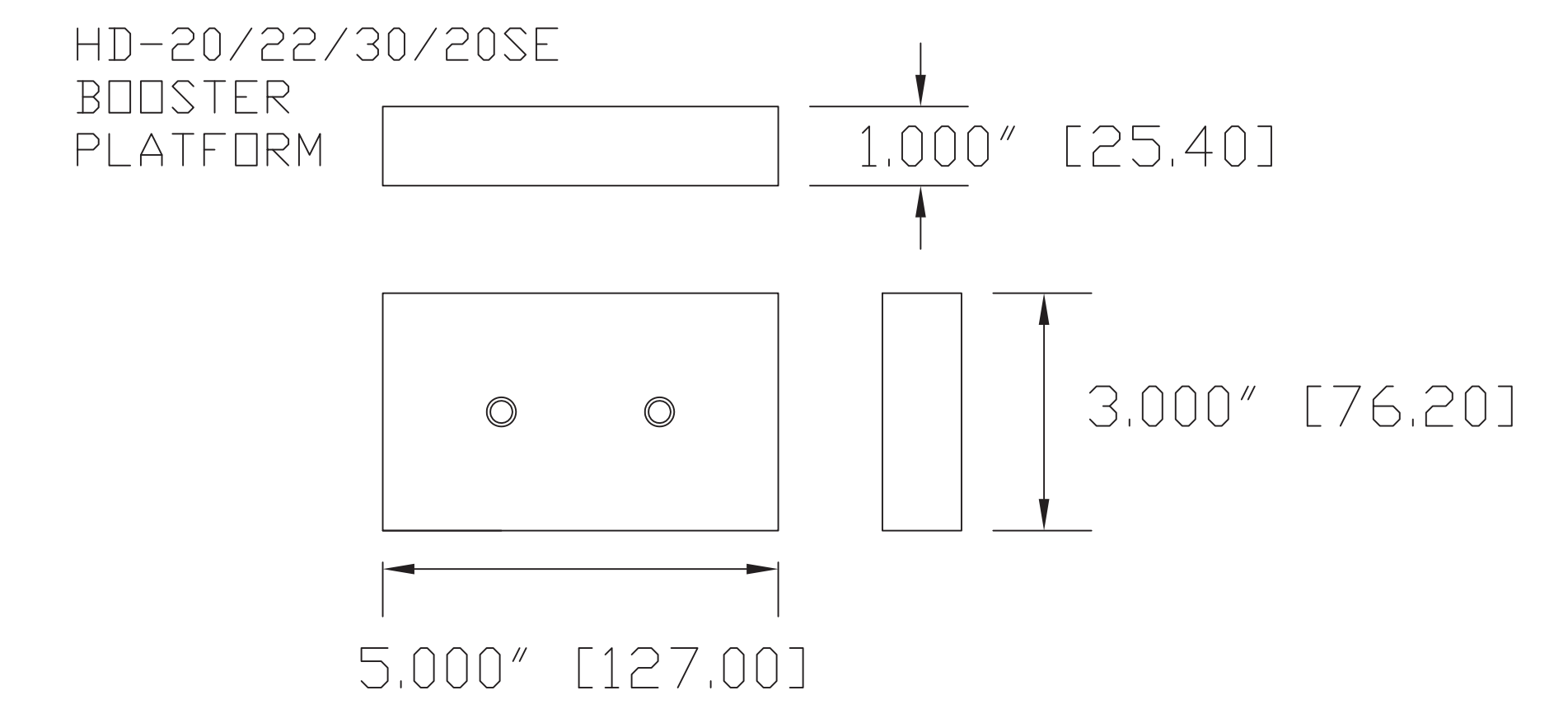
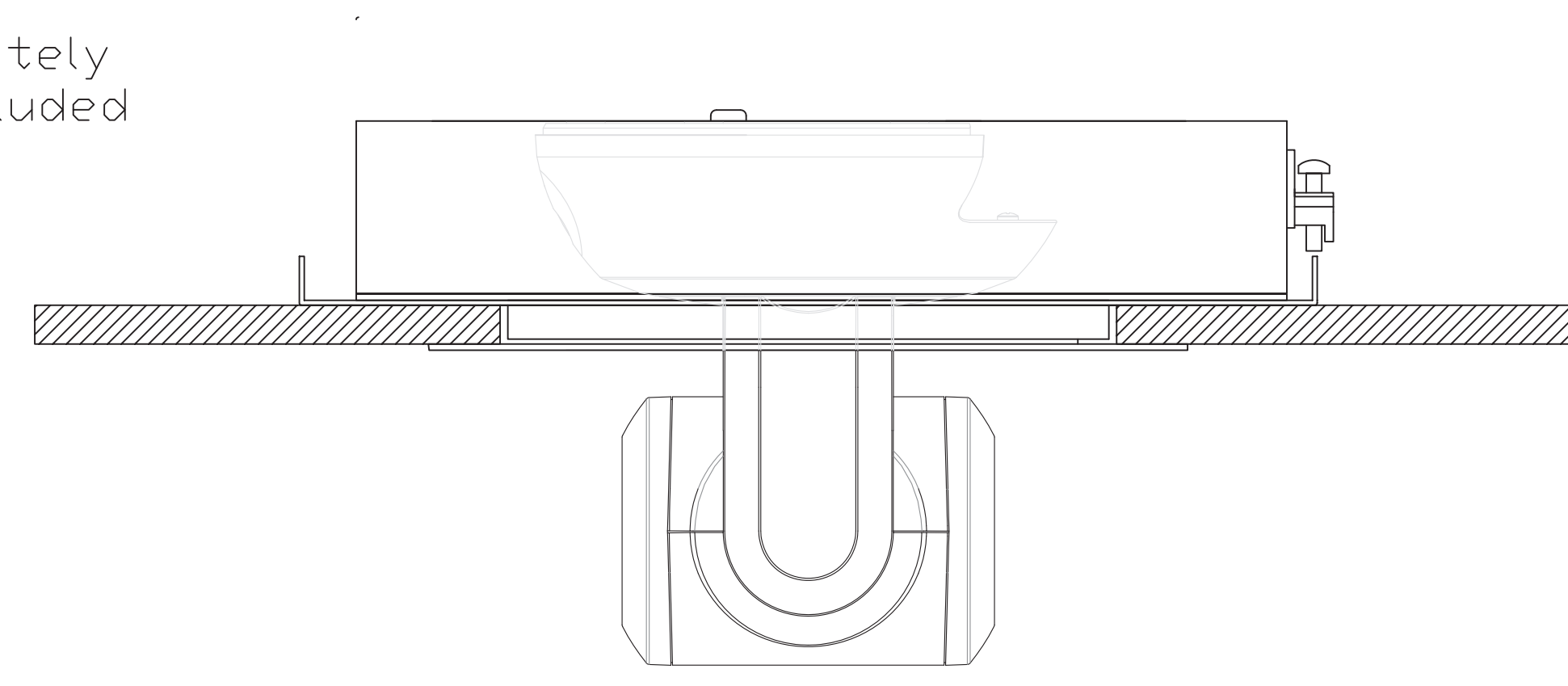


CAMERA, TRIM RING TILEBRACE AND ENCLOSURE - FRONT VIEW

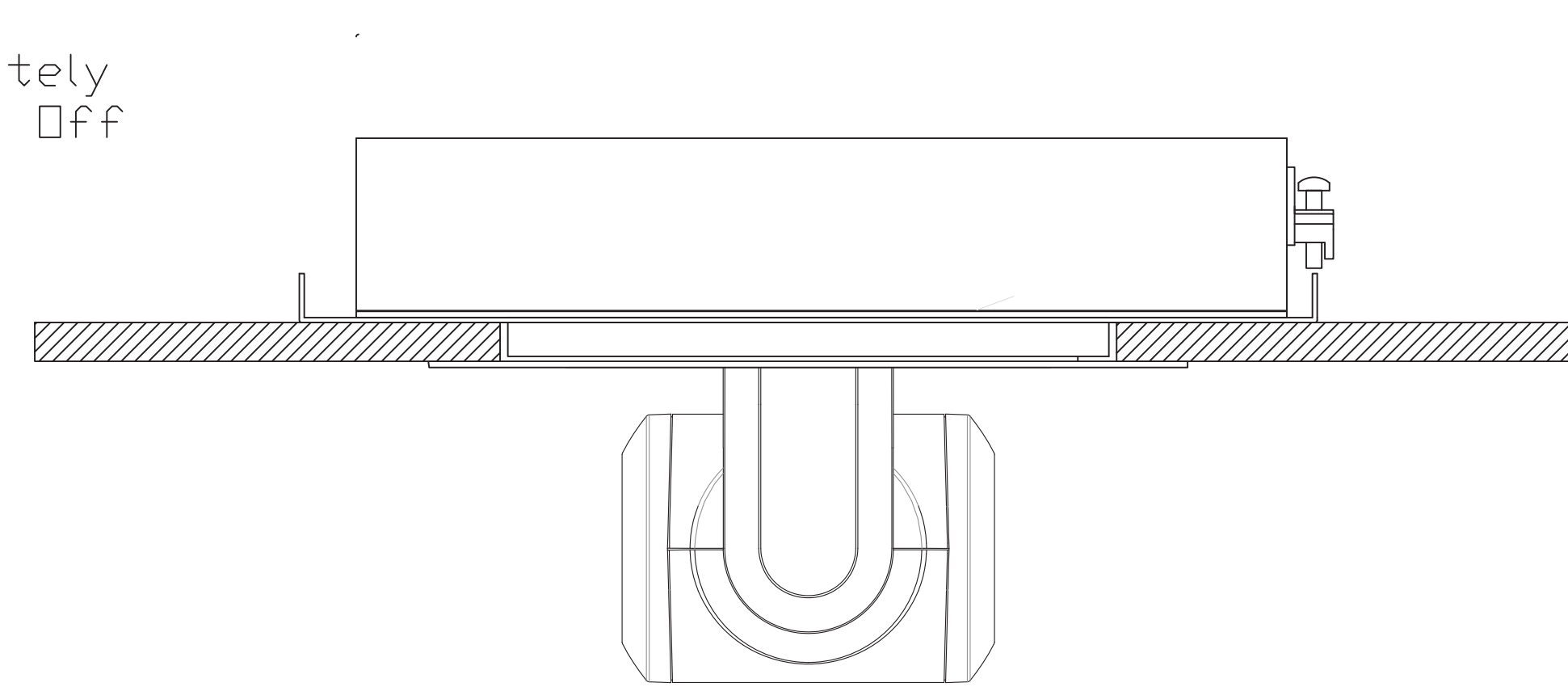
CAMERA, TRIM RING TILEBRACE AND ENCLOSURE - SIDE VIEW



Cameras Sold Separately
X-ray Vision Not Included



Cameras Sold Separately
X-ray Vision Turned Off



vaddio		GENERAL NOTES: DIMENSIONS ARE IN INCHES (mm) UNLESS OTHERWISE NOTED. DO NOT DISTRIBUTE WITHOUT EXPRESS WRITTEN PERMISSION OF VADDIO. DUE TO OUR CONTINUING EFFORTS TO ENHANCE OUR PRODUCTS, WE RESERVE THE RIGHT TO CHANGE SPECIFICATIONS WITHOUT PRIOR NOTICE OR OBLIGATION.	
VADDIO IN-Ceiling Half-Recessed Enclosure for RoboSHOT			
VADDIO PART NUMBER 999-2225-150 with IR Repeater Circuit			
DRAWN RAR	CHECKED	APPROVED RAR	DATE 04/29/2015 SD: 68790.3
THIS DRAWING, INCLUDING ALL SUBJECT MATTERS INDICATED THEREON OR DERIVED THEREFROM, COMPRISES PROPRIETARY INFORMATION AND IS THE EXPRESS PROPERTY OF VADDIO. All Rights Reserved - Copyright 2015			
MATERIALS VARIOUS - SEE BDM	SCALE 1:2	DRAWING No. 2225-150	REV REV A
FINISH CRS - Multiple Gauge	SIZE E		