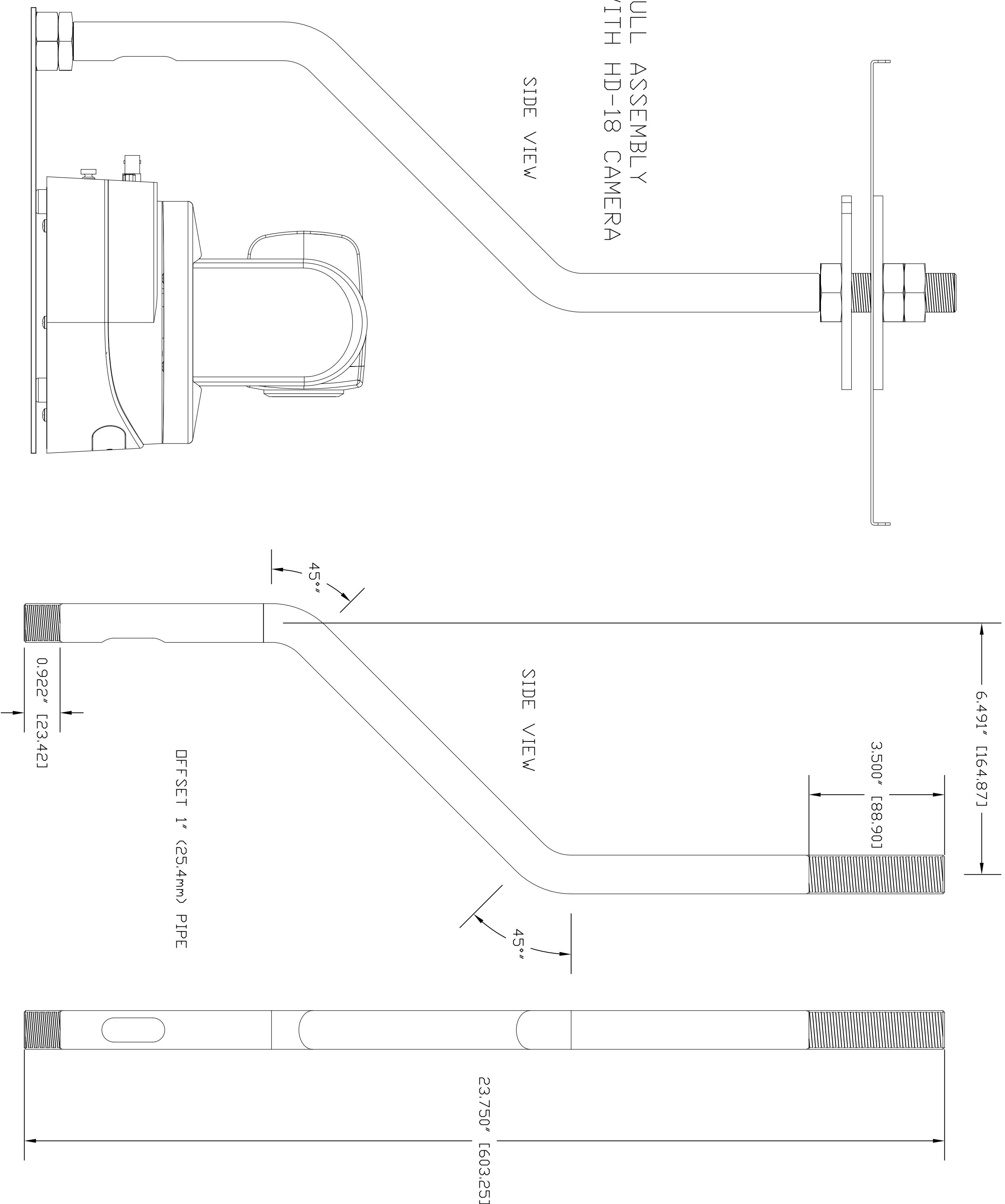
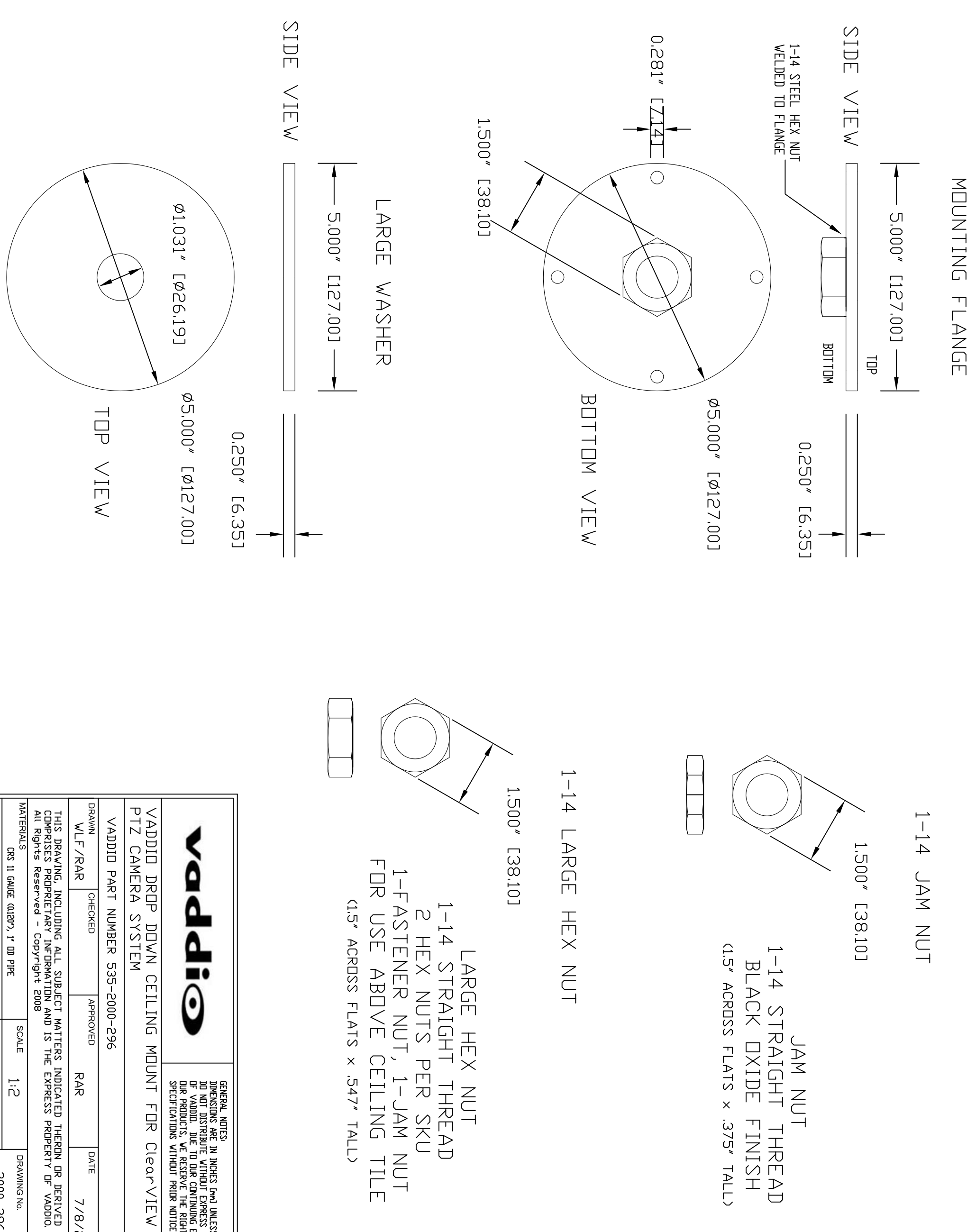
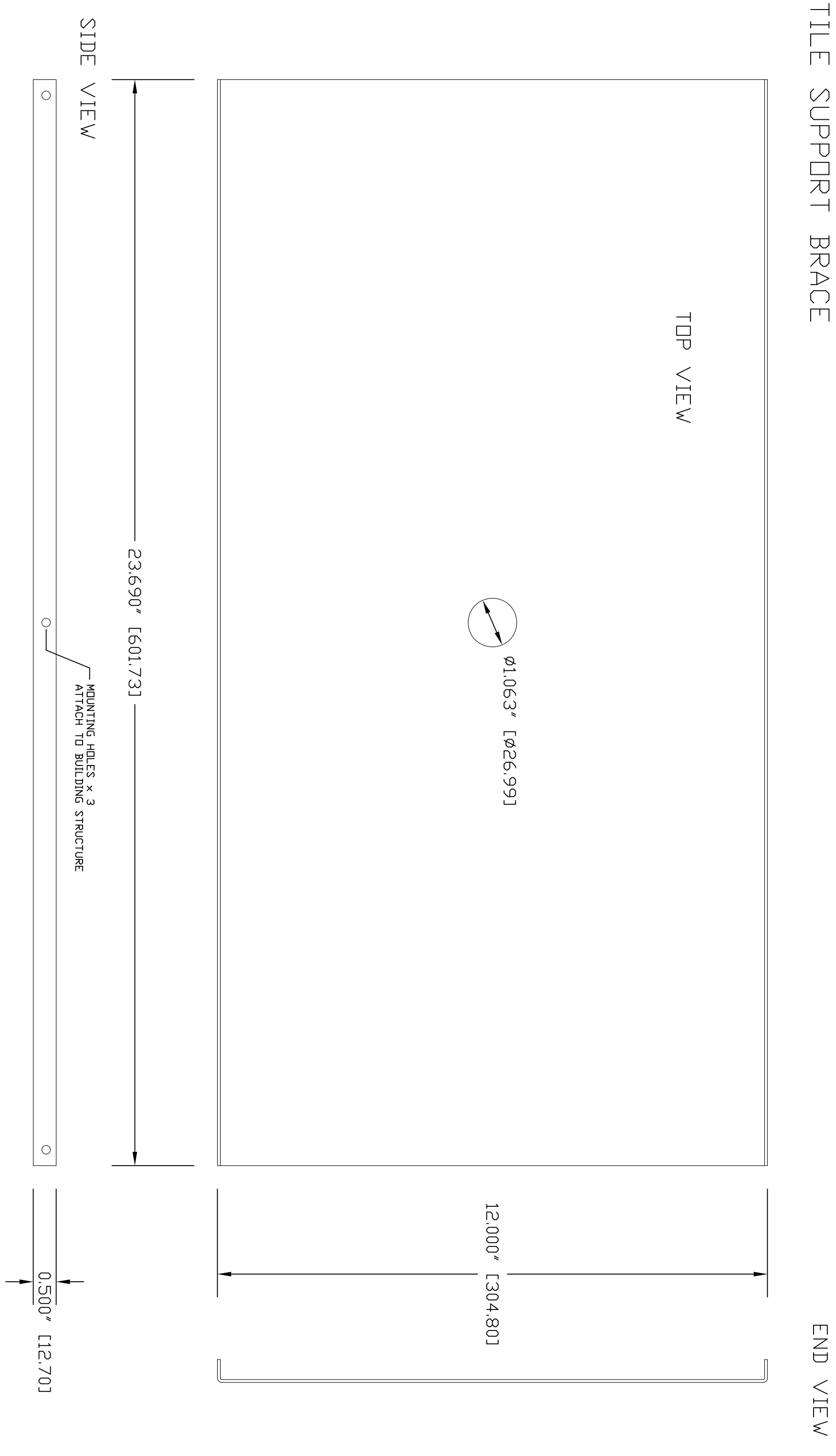


FULL ASSEMBLY WITH HD-18 CAMERA



TILE SUPPORT BRACE



**vaddio**

GENERAL NOTES:  
DIMENSIONS ARE IN INCHES UNLESS OTHERWISE NOTED.  
DIMENSIONS ARE TO FACE UNLESS OTHERWISE NOTED.  
DIMENSIONS ARE TO CENTER UNLESS OTHERWISE NOTED.  
DIMENSIONS ARE TO CENTER UNLESS OTHERWISE NOTED.  
DIMENSIONS ARE TO CENTER UNLESS OTHERWISE NOTED.

VADDIO DROP DOWN CEILING MOUNT FOR ClearVIEW HD-18 PTZ CAMERA SYSTEM

VADDIO PART NUMBER 535-2000-296

DRAWN: M.L.F./RAR CHECKED: RAR APPROVED: RAR DATE: 7/8/2009

THIS DRAWING, INCLUDING ALL SUBJECT MATTER INDICATED THEREON, IS THE PROPERTY OF VADDIO. ALL RIGHTS RESERVED - Copyright 2008

MATERIALS: SEE II DWG 08291, 1.00 P/PC SCALE: 1:2 DRAWING NO.: 2000-296 REV: B

FINISH: BLACK POWDERCOAT FINISH - SEE DWG 08291, 1.00 P/PC SIZE: D