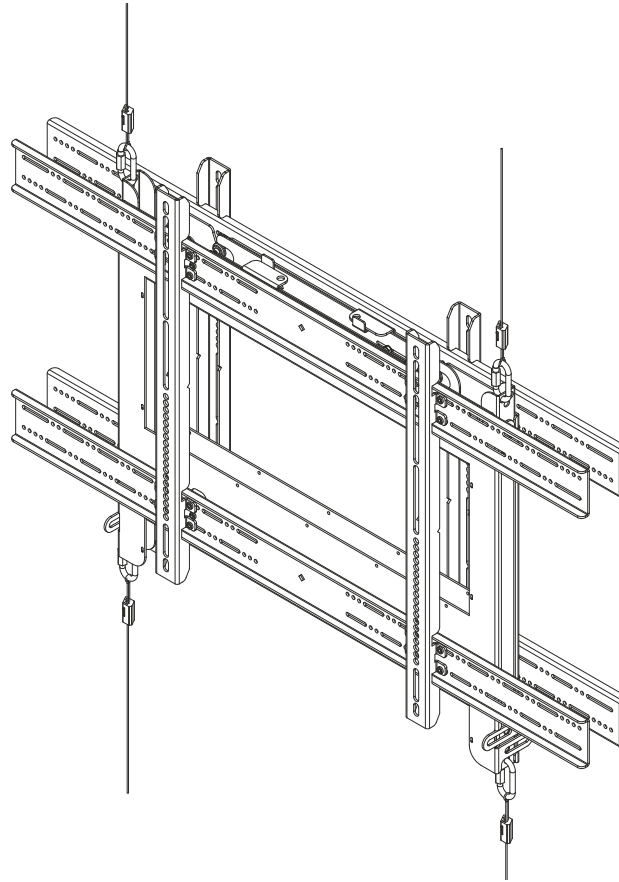

INSTALLATION INSTRUCTIONS



Floor to Ceiling Back to Back Accessory

 **CHIEF**[®]

A brand of  **legrand**[®]

PACFCB

DISCLAIMER

Legrand | AV and its affiliated corporations and subsidiaries (collectively “Legrand | AV”), intend to make this manual accurate and complete. However, Legrand | AV makes no claim that the information contained herein covers all details, conditions or variations, nor does it provide for every possible contingency in connection with the installation or use of this product. The information contained in this document is subject to change without notice or obligation of any kind. Legrand | AV makes no representation of warranty, expressed or implied, regarding the information contained herein. Legrand | AV assumes no responsibility for accuracy, completeness or sufficiency of the information contained in this document.

Chief® is a registered trademark of Legrand AV Inc.

DEFINITIONS

MOUNTING SYSTEM: A MOUNTING SYSTEM is the primary Chief product to which an accessory and/or component is attached.

ACCESSORY: AN ACCESSORY is the secondary Chief product which is attached to a primary Chief product, and may have a component attached or setting on it.

COMPONENT: A COMPONENT is an audiovisual item designed to be attached or resting on an accessory or mounting system such as a video camera, CPU, screen, display, projector, etc.



WARNING: A WARNING alerts you to the possibility of serious injury or death if you do not follow the instructions.



CAUTION: A CAUTION alerts you to the possibility of damage or destruction of equipment if you do not follow the corresponding instructions.



IMPORTANT SAFETY INSTRUCTIONS



WARNING: Failure to read, thoroughly understand, and follow all instructions can result in serious personal injury, damage to equipment, or voiding of factory warranty! It is the installer’s responsibility to make sure all accessories are properly assembled and installed using the instructions provided.



WARNING: Failure to provide adequate structural strength for this accessory can result in serious personal injury or damage to equipment! It is the installer’s responsibility to make sure the structure to which this accessory is attached can support five times the combined weight of all equipment. Reinforce the structure as required before installing the accessory.



WARNING: Exceeding the weight capacity can result in serious personal injury or damage to equipment! It is the installer’s responsibility to make sure the combined weight of all components attached to the FSC1U mounting system combined with the PACFCB does not exceed a total of 130 lbs (58.9 kg) or 65 lbs (29.5 kg) per display.



WARNING: Use this accessory only for its intended use as described in these instructions. Do not use attachments not recommended by the manufacturer.



WARNING: Never operate this accessory if it is damaged. Return the accessory to a service center for examination and repair.



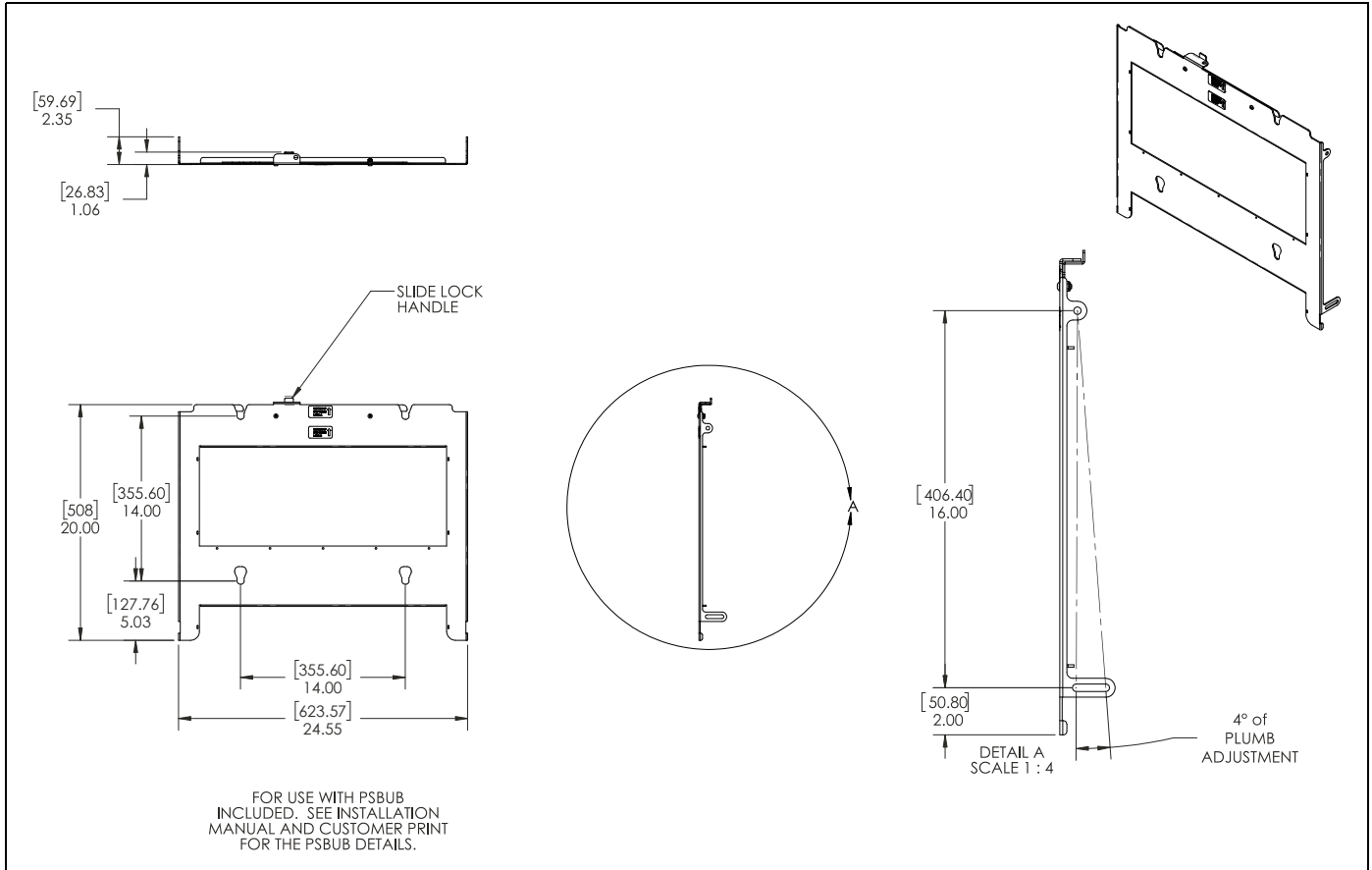
WARNING: Do not use this accessory outdoors.



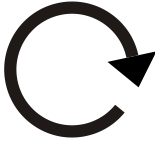

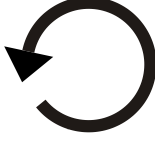


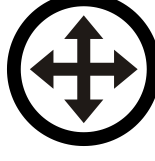






CAUTION: To prevent possible injury to hands during installation, use protective work gloves while installing cables to mount.

--SAVE THESE INSTRUCTIONS--

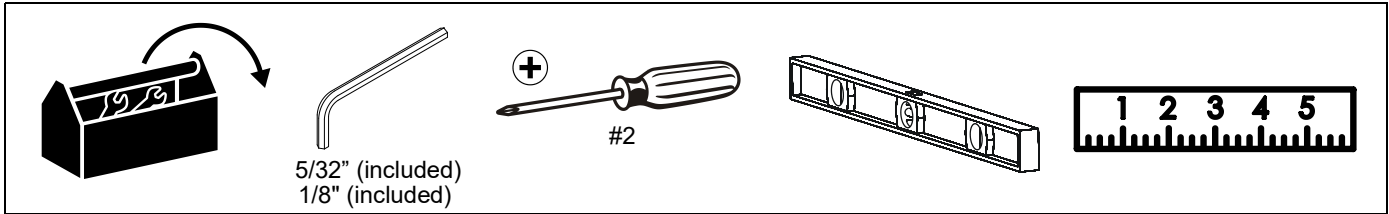
DIMENSIONS



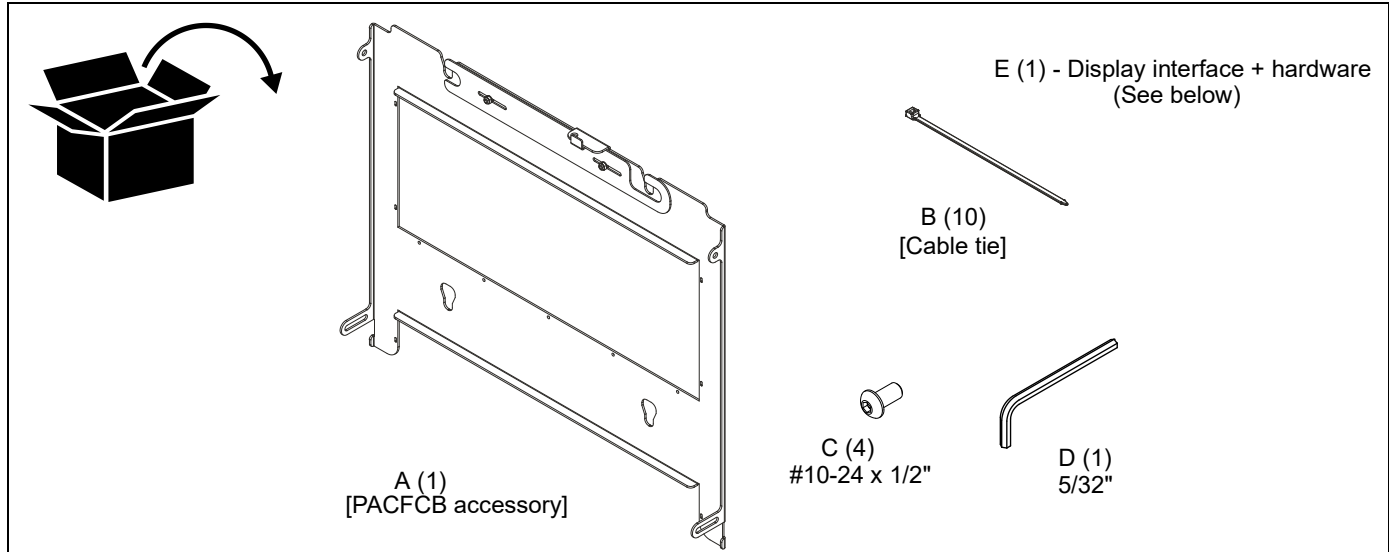
LEGEND

	<p>Tighten Fastener</p> <p>Apretar elemento de fijación</p> <p>Befestigungsteil festziehen</p> <p>Apertar fixador</p> <p>Serrare il fissaggio</p> <p>Bevestiging vastdraaien</p> <p>Serrez les fixations</p>		<p>Pencil Mark</p> <p>Marcar con lápiz</p> <p>Stiftmarkierung</p> <p>Marcar com lápis</p> <p>Segno a matita</p> <p>Potloodmerkteken</p> <p>Marquage au crayon</p>
	<p>Loosen Fastener</p> <p>Aflojar elemento de fijación</p> <p>Befestigungsteil lösen</p> <p>Desapertar fixador</p> <p>Allentare il fissaggio</p> <p>Bevestiging losdraaien</p> <p>Desserrez les fixations</p>		<p>Drill Hole</p> <p>Perforar</p> <p>Bohrloch</p> <p>Fazer furo</p> <p>Praticare un foro</p> <p>Gat boren</p> <p>Percez un trou</p>
	<p>Phillips Screwdriver</p> <p>Destornillador Phillips</p> <p>Kreuzschlitzschraubendreher</p> <p>Chave de fendas Phillips</p> <p>Cacciavite a stella</p> <p>Kruiskopschroevendraaier</p> <p>Tournevis à pointe cruciforme</p>		<p>Adjust</p> <p>Ajustar</p> <p>Einstellen</p> <p>Ajustar</p> <p>Regolare</p> <p>Afstellen</p> <p>Ajuster</p>
	<p>Open-Ended Wrench</p> <p>Llave de boca</p> <p>Gabelschlüssel</p> <p>Chave de bocas</p> <p>Chiave a punte aperte</p> <p>Steeksleutel</p> <p>Clé à fourche</p>		<p>Remove</p> <p>Quitar</p> <p>Entfernen</p> <p>Remover</p> <p>Rimuovere</p> <p>Verwijderen</p> <p>Retirez</p>
	<p>By Hand</p> <p>A mano</p> <p>Von Hand</p> <p>Com a mão</p> <p>A mano</p> <p>Met de hand</p> <p>À la main</p>		<p>Optional</p> <p>Opcional</p> <p>Optional</p> <p>Opcional</p> <p>Opzionale</p> <p>Optie</p> <p>En option</p>
	<p>Hex-Head Wrench</p> <p>Llave de cabeza hexagonal</p> <p>Sechskantschlüssel</p> <p>Chave de cabeça sextavada</p> <p>Chiave esagonale</p> <p>Zeskantsleutel</p> <p>Clé à tête hexagonale</p>		<p>Security Wrench</p> <p>Llave de seguridad</p> <p>Sicherheitsschlüssel</p> <p>Chave de segurança</p> <p>Chiave di sicurezza</p> <p>Veiligheidssleutel</p> <p>Clé de sécurité</p>

TOOLS REQUIRED FOR INSTALLATION



PARTS



PARTS - DISPLAY INTERFACE

ER (2)
[Vertical bracket]

EQ (2)
[Horizontal bracket]

Hardware Kit		
Bag A EA (4) M4 x 12mm	Bag B EB (4) M4 x 20mm	Bag C EC (4) M4 x 25mm
Bag D ED (4) M5 x 12mm	Bag E EE (4) M5 x 20mm	Bag F EF (4) M5 x 25mm
Bag G EG (4) M6 x 12mm	Bag H EH (4) M6 x 20mm	Bag I EI (4) M6 x 25mm
Bag J EJ (4) M8 x 12mm	Bag K EK (4) M8 x 20mm	Bag L EL (4) M8 x 30mm
Bag M EMA (8) [Nesting spacer]		 EMB (4) [Universal spacer]
 EN (8) #10-24 x 1/2"		 EP (1) 1/8"

Assembly And Installation

Connecting to FSC1U

1. Use four #10-24 x 1/2" button head cap screws (C) to secure PACFCB accessory to FCS1U outer frames. (See Figure 1)

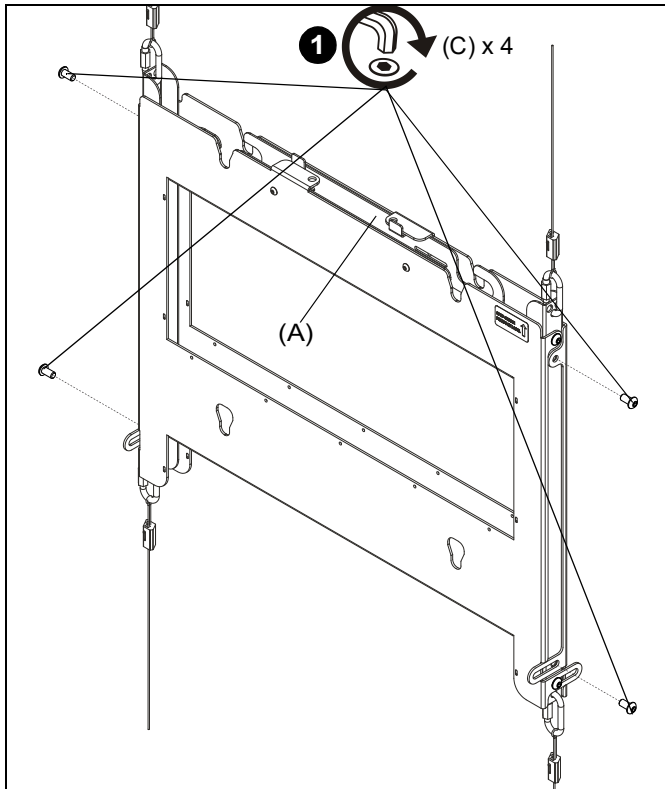


Figure 1

2. Attach cables to top of FCS1U outer frames as shown in FCS1U instructions but use middle of three holes to attach cables to outer frames. (See Figure 1) and (See Figure 2)

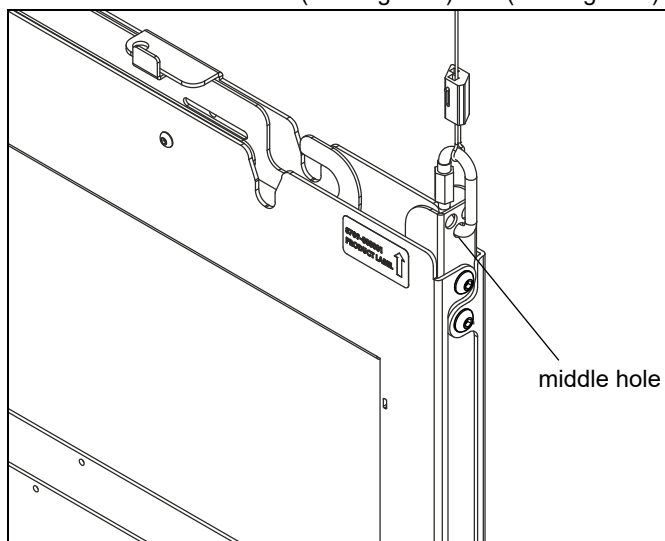


Figure 2

3. Tighten two turnbuckles (included with FCS1U) until cables have little to no slack in them and use a level to make sure the mount is level.

Display Installation



WARNING: Exceeding the weight capacity can result in serious personal injury or damage to equipment! It is the installer's responsibility to make sure the combined weight of all components attached to the FCS1U mounting system combined with the PACFCB does not exceed a total of 130 lbs (58.9 kg) or 65 lbs (29.5 kg) per display.



WARNING: Make sure height is at the lowest possible position.

4. Make sure latching flags are in "open" position.



WARNING: IMPROPER INSTALLATION CAN LEAD TO MOUNT FALLING CAUSING SERIOUS PERSONAL INJURY OR DAMAGE TO EQUIPMENT! DO NOT substitute hardware. Only use hardware provided or specified by manufacturer.

5. Determine and mark the vertical center position between the Left side Upper and Lower mounting holes in display. (See Figure 3)
6. Determine and mark the vertical center position between the Right side Upper and Lower mounting holes in display. (See Figure 3)

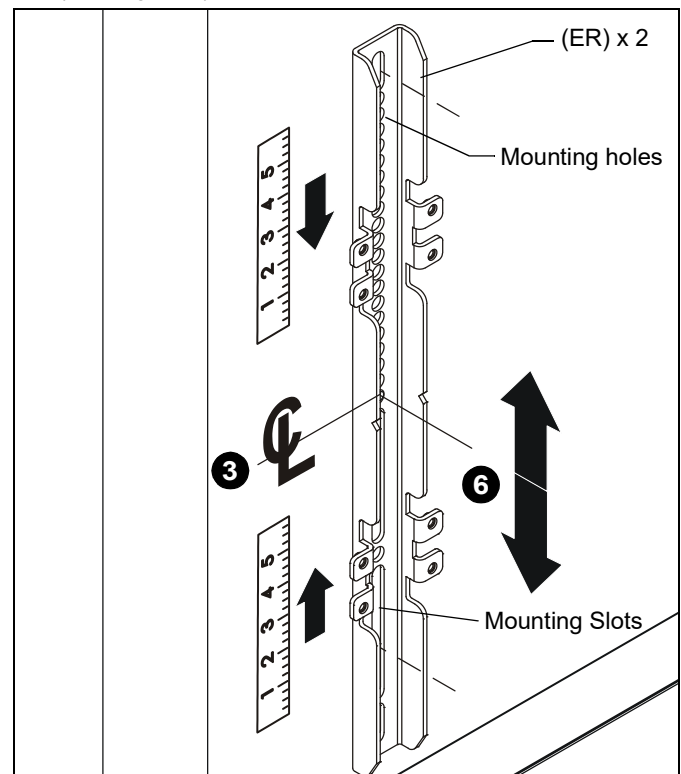


Figure 3

7. Orient vertical mounting bracket (ER) so that mounting holes are on top and mounting slots are on bottom. (See Figure 3)
8. Align mounting holes in vertical mounting bracket (ER) with upper and lower mounting holes in display.
9. Adjust vertical mounting bracket (ER) position until mark made in Step 1 aligns with center mark in vertical mounting bracket (ER).

10. Select correct screws, nesting spacers (if necessary) and universal washers (if required) from the hardware bag (EA-EM) and attach brackets to back of screen. (See Figure 5)

IMPORTANT ! : The M8 screws do **NOT** require a washer. Use the universal washer (EMB) only with M4, M5 and M6 screws.

NOTE: The nesting spacers (EMA) may be used separately, or put two together in different configurations to create different size spacers. (See Figure 4)

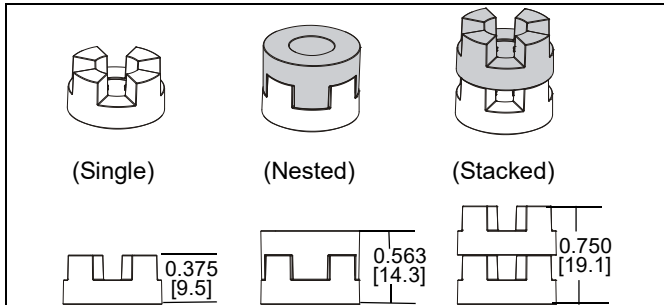


Figure 4

11. If the display has a recessed mounting surface, protrusions or a power box, a spacer and longer mounting hardware must be placed between the display and vertical mounting bracket (ER). (See Figure 5)
12. Repeat Steps 5 through 8 for Right side vertical mounting bracket using the same hole locations to align brackets horizontally.

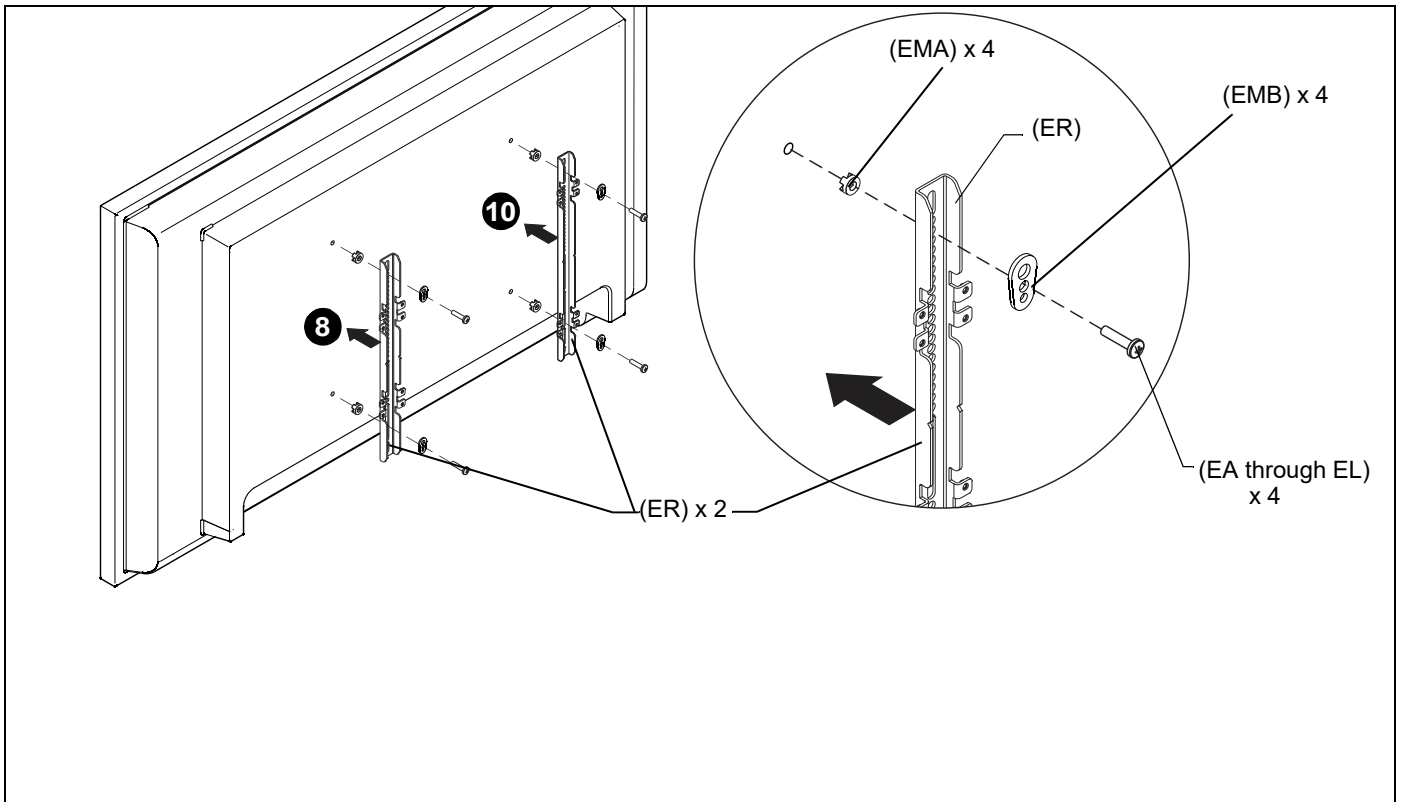


Figure 5

13. Determine and mark the horizontal center position between the Left and Right *TOP* mounting holes in display. (See Figure 6)
14. Determine and mark the horizontal center position between the Left and Right *BOTTOM* mounting holes in display. (See Figure 6)
15. Orient upper horizontal mounting bracket (EQ) so that flanges are facing towards display and resting in recessed area of left and right vertical mounting brackets (ER). (See Figure 6)
16. Adjust Upper horizontal mounting bracket (EQ) position until center diamond in horizontal mounting bracket (EU) aligns with mark made in Step 9, and mounting holes and slots in horizontal mounting bracket (EQ) are aligned with threaded holes in mounting tabs of left and right vertical mounting brackets (ER). (See Figure 6) and (See Figure 7)
17. Use 1/8" hex key (EP) to secure upper horizontal mounting bracket (EQ) to left and right vertical mounting brackets (ER) using four button head flanged screws (EN). (See Figure 7)
18. Repeat Steps 12 through 15 for lower horizontal mounting bracket (EQ).

IMPORTANT ! : The orientation of, and mounting holes used, when installing the lower horizontal mounting bracket must be the same as the upper horizontal mounting bracket. Vertically align upper and lower brackets by aligning holes or end of slots. (See Figure 7)

IMPORTANT ! : Whenever possible install mounting screws diagonally as shown in detail in Figure 7 below.

19. Install display with attached universal interface to mount following the installation instructions provided with the mount.

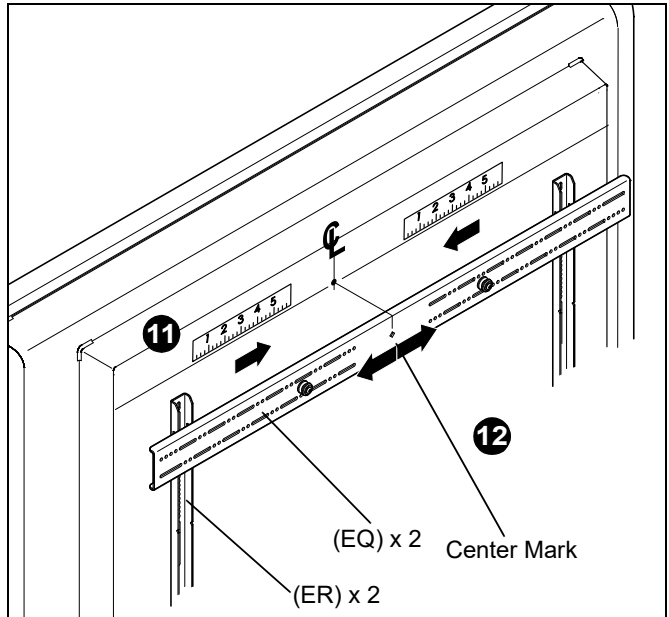


Figure 6

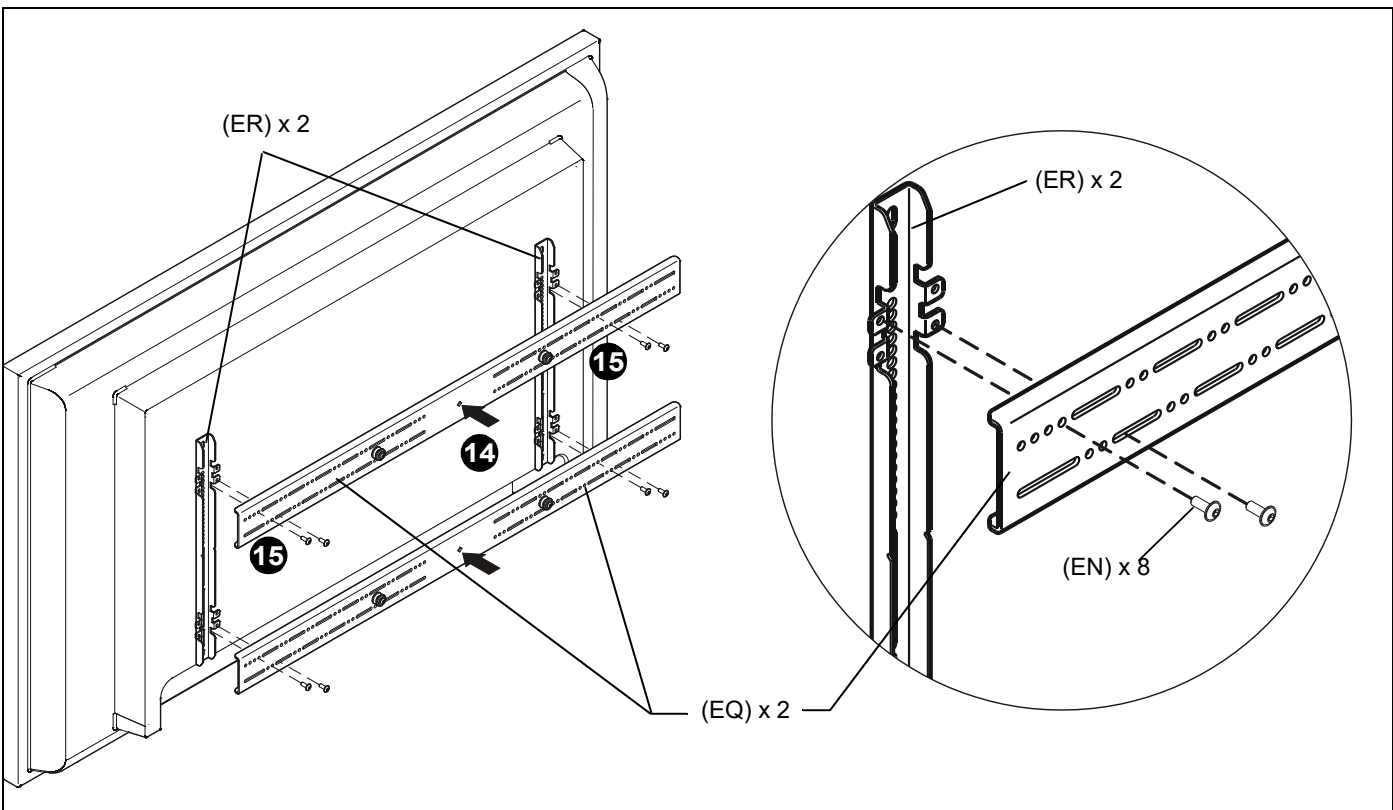


Figure 7

20. Lift display onto mount, carefully placing mounting buttons into mounting locations on faceplate. (See Figure 8)
21. Slide locking plate over mounting buttons to secure display to mount. (See Figure 8)

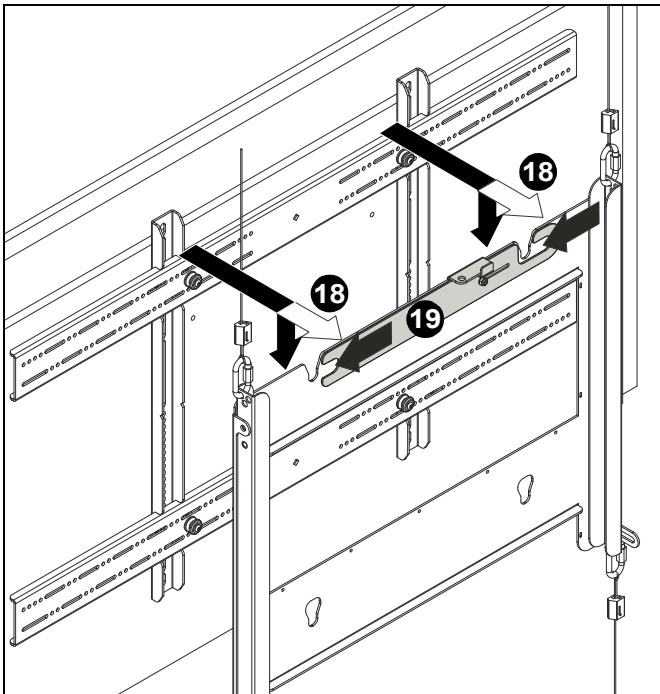


Figure 8

22. Tighten two turnbuckles (included with FCS1U) until cables are tight and mount is level.

Adjustments

Plumb Adjustment

1. Loosen lower screws holding brackets together and adjust plumb (up to 4°) as necessary to ensure displays are perpendicular with the floor/ceiling. (See Figure 9)
2. Tighten lower screws holding brackets together when desired plumb is reached. (See Figure 9)

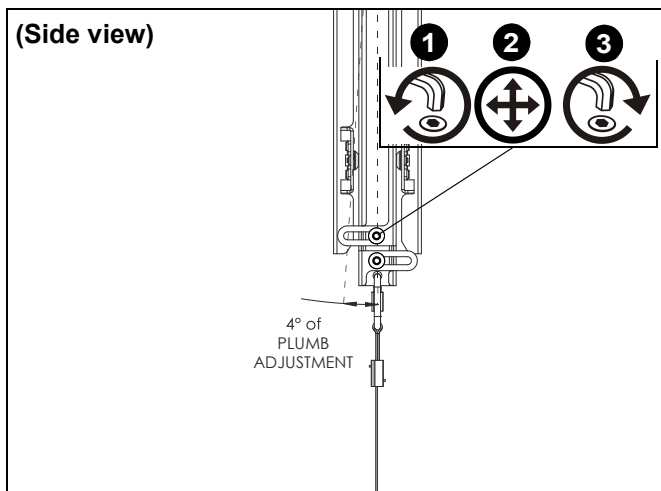


Figure 9



A brand of  **legrand**

8800-003173 Rev00
©2019 Legrand | AV
www.legrandav.com
07/19

USA/International	A 6436 City West Parkway, Eden Prairie, MN 55344 P 800.582.6480 / 952.225.6000 F 877.894.6918 / 952.894.6918
Europe	A Franklinstraat 14, 6003 DK Weert, Netherlands P +31 (0) 495 580 852 F +31 (0) 495 580 845
Asia Pacific	A Office No. 918 on 9/F, Shatin Galleria 18-24 Shan Mei Street Fotan, Shatin, Hong Kong P 852 2145 4099 F 852 2145 4477

