

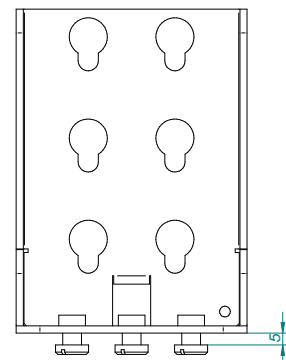
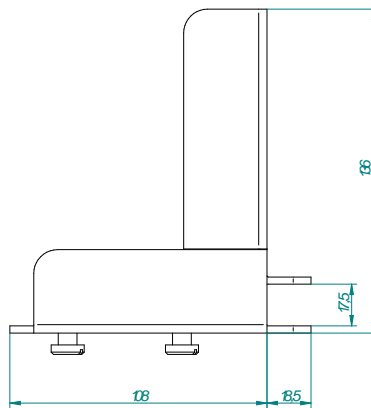
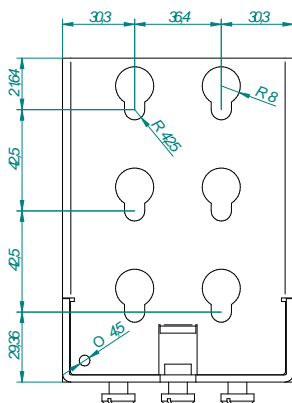
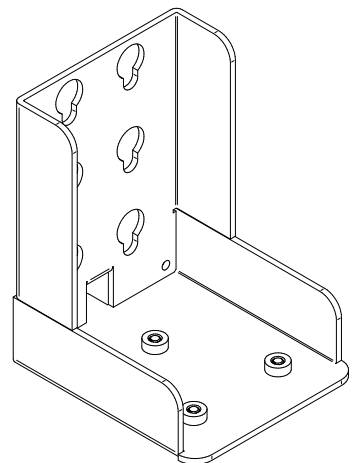
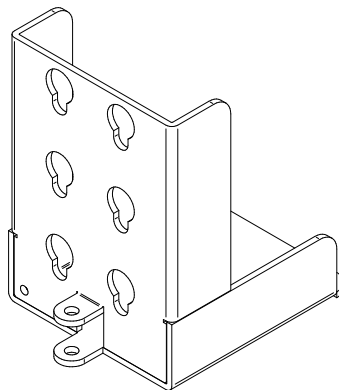
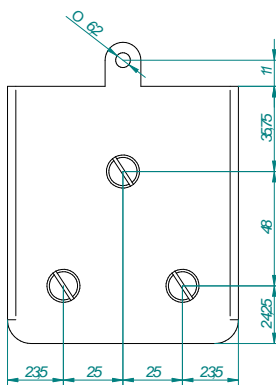
## LABI1 PRODUCT ACCESSORIES & HARDWARE

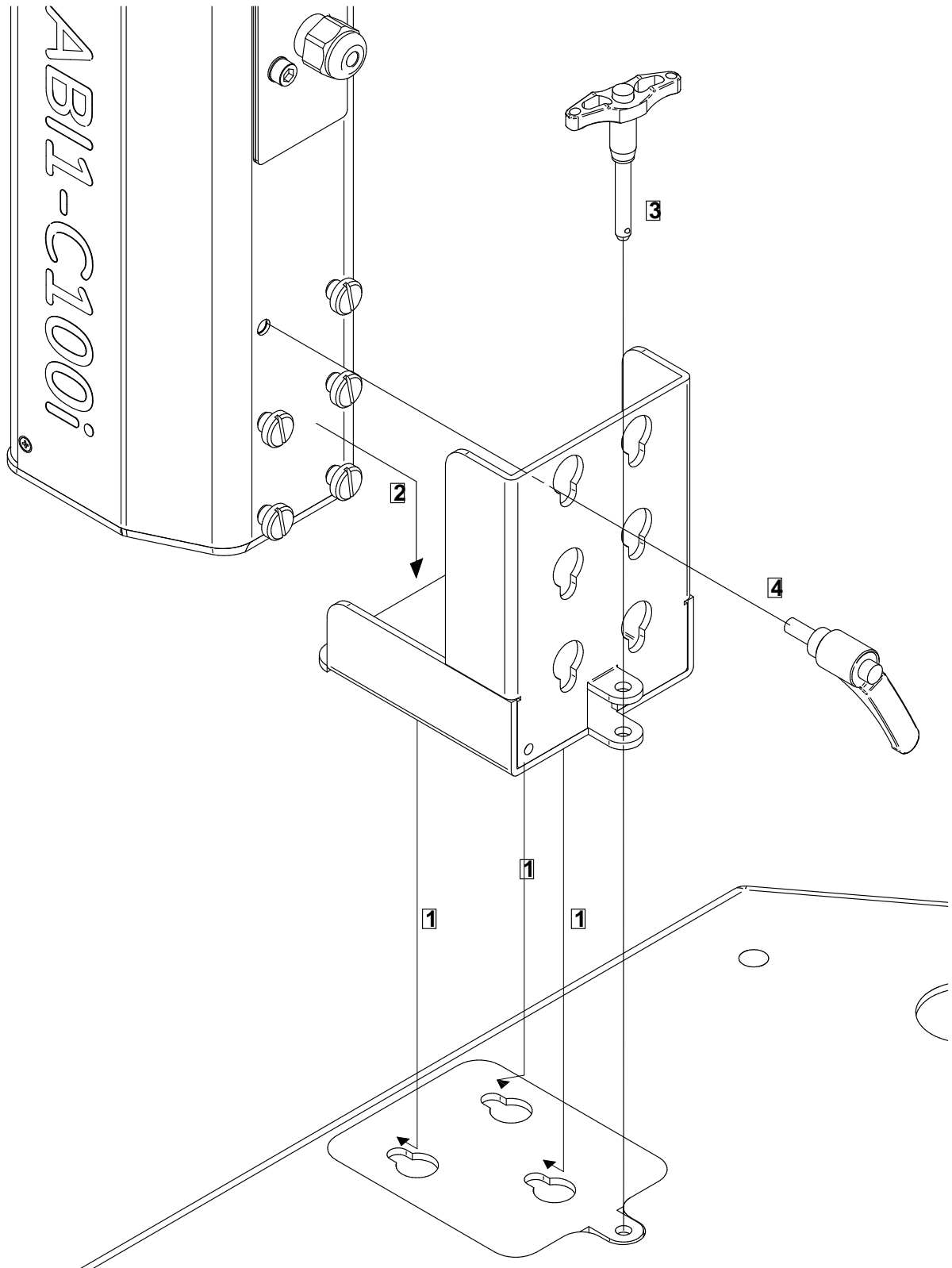
### LIST OF LABI1 PRODUCT ACCESSORIES AND LOUDSPEAKER HARDWARE

- LABI1-SAC: column to sub-woofer adapter
- LABI1-CAC: column to column adapter
- LABI1-TBC: column to truss adapter
- LABI1-WBC: column to wall bracket
- LABI1-PBC: column to 35mm pole bracket
- LABI1-HBC: horizontal column floor/table mounting
- LABI1-ODCNX: outdoor connections cover
- LABI1-SWK: wheel kit
- LABI1-SPC: nylon protection cover
- LABI1-CFC: flight case for 2 LABI1-C100i



**LABI1-SAC:** column to sub-woofer adapter. It allows attaching a loudspeaker column LABI1-C100i to a LABI1-SB18p or LABI1-SB18.

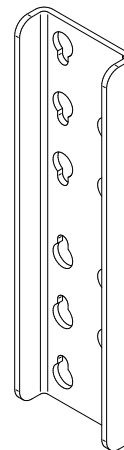
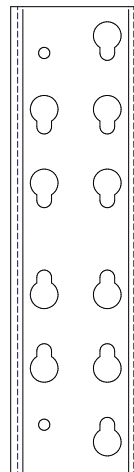
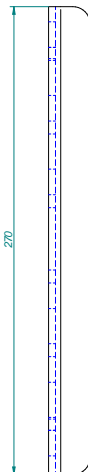
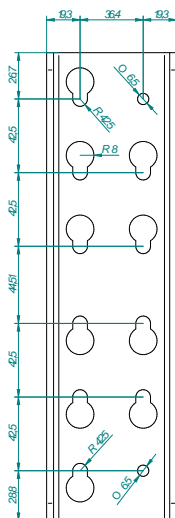
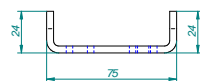
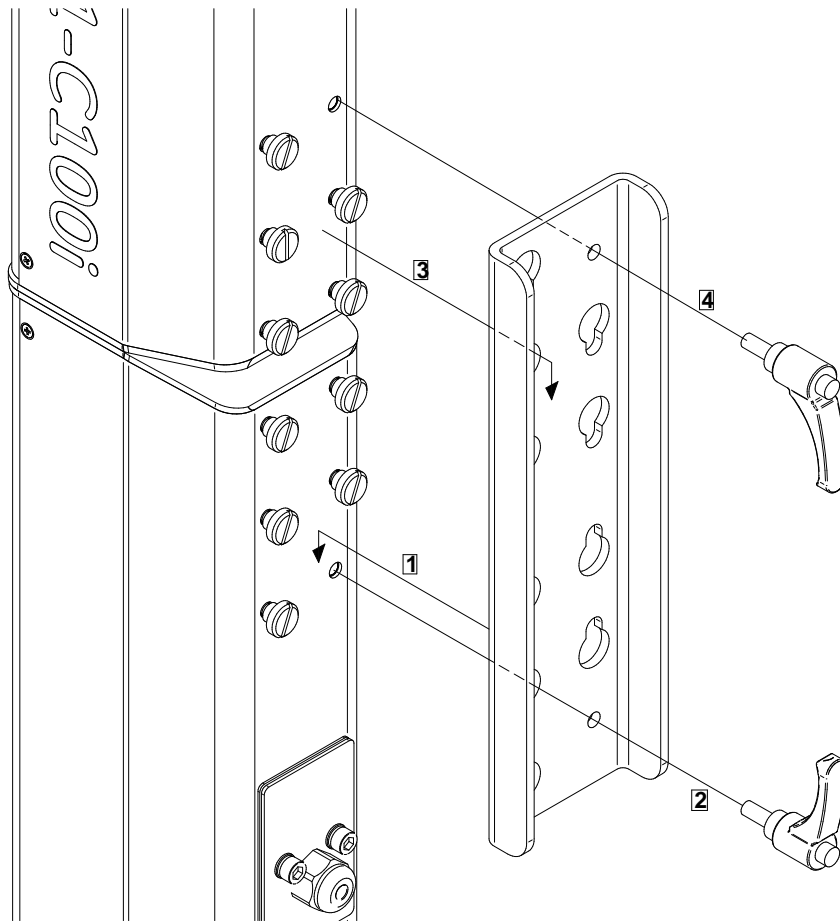




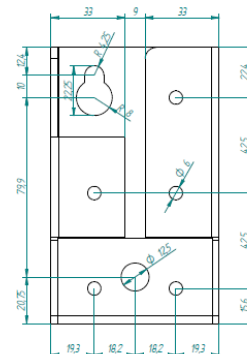
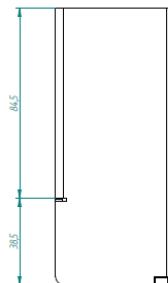
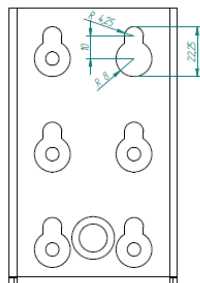
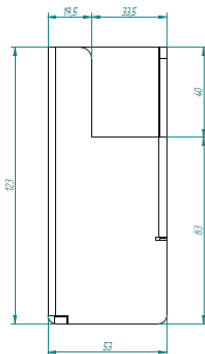
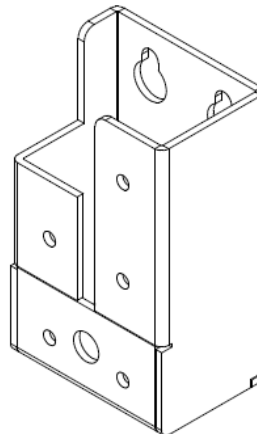
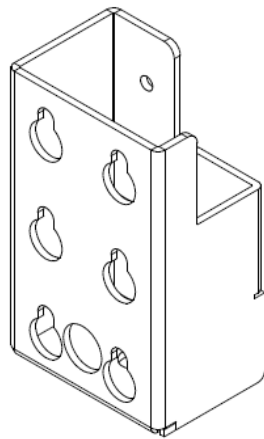
**LABI1-CAC:** column to column adapter. It allows assembling two column loudspeakers LABI1-C100i together. The 2 columns can be mounted then in a LABI1-SB18p or LABI1-SB18 using the accessory LABI1-SAC. It includes a Speakon® cable (60cm) to link both column loudspeakers.

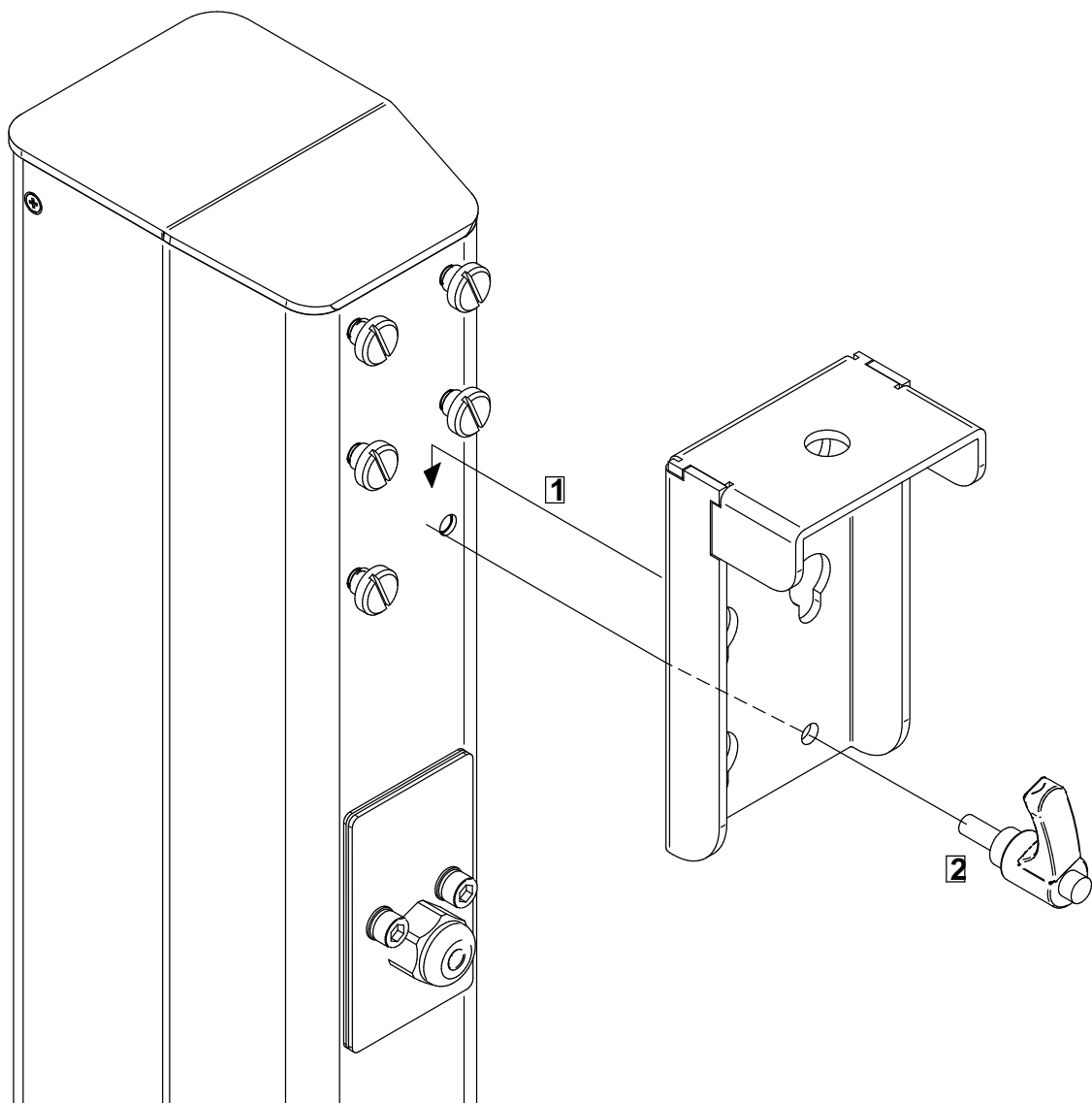
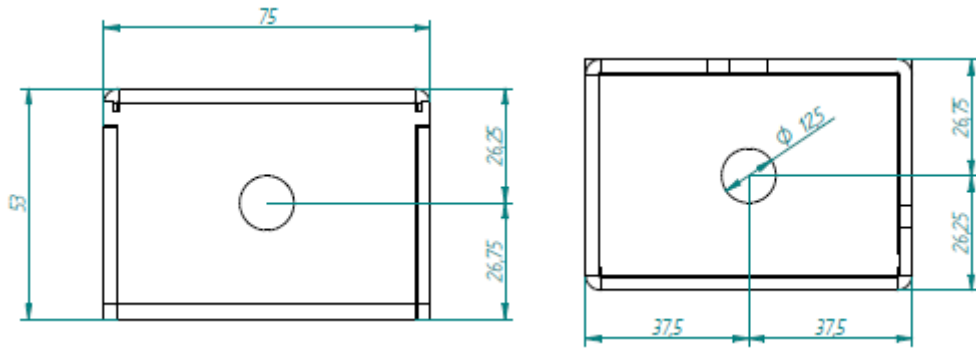
**Warning:** Only for stacking, NOT for flying



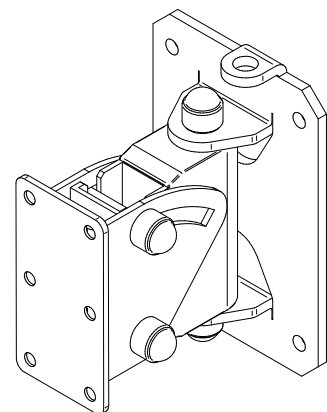
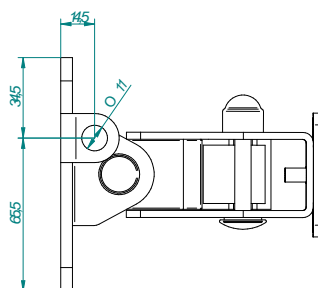
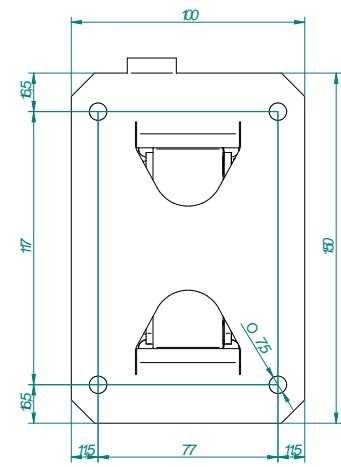
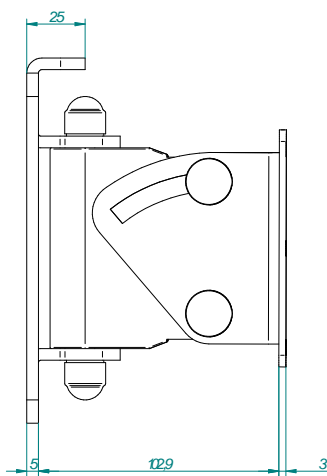
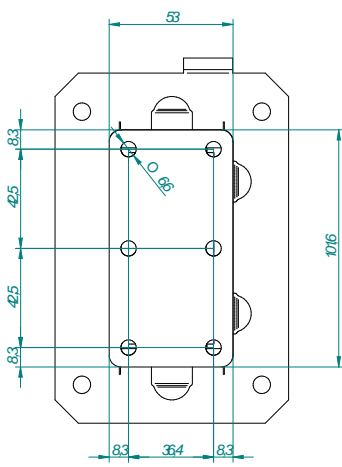


**LABI1-TBC:** column to truss. It allows hanging a loudspeaker column LABI1-C100i from a truss clamp.

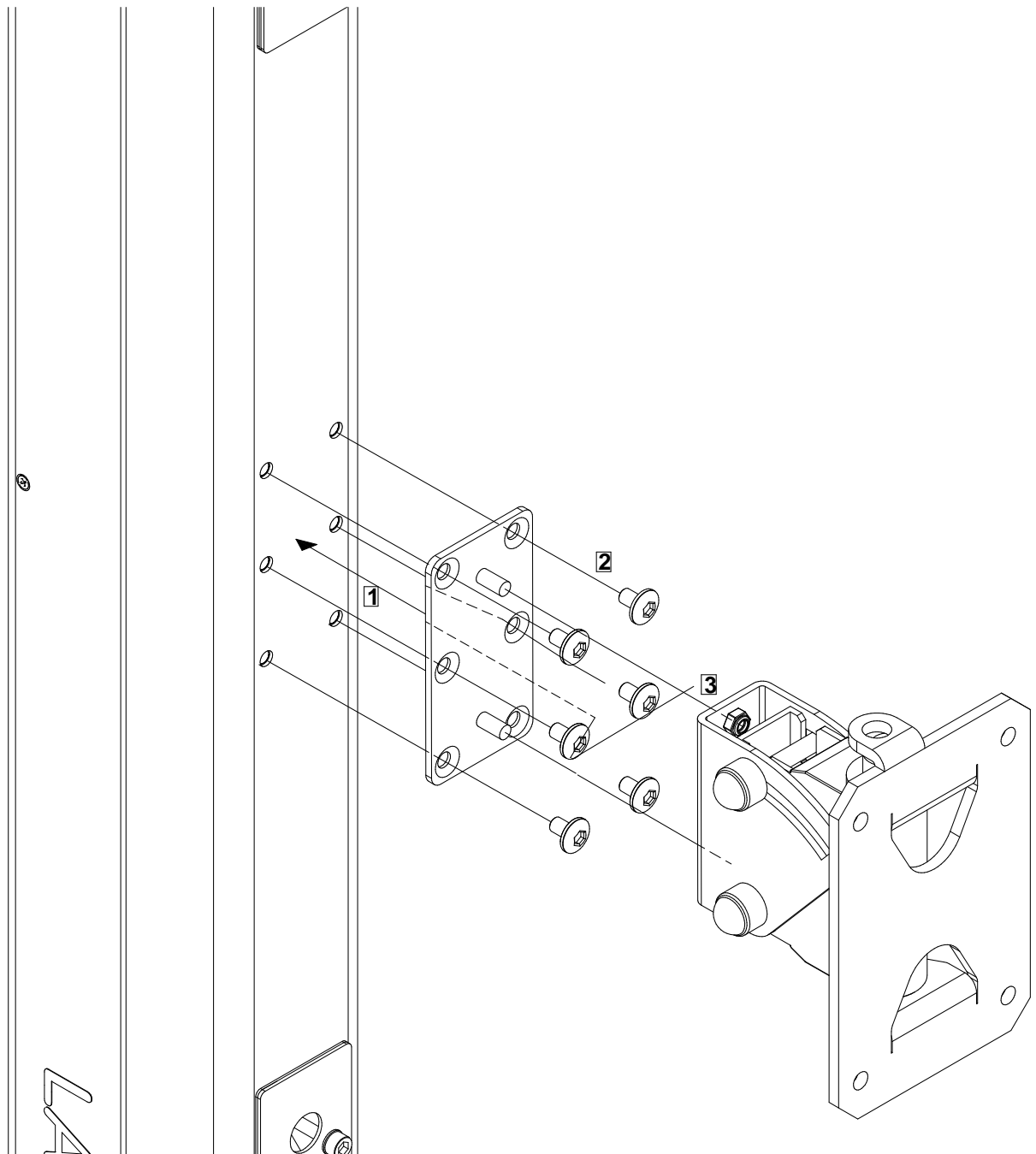




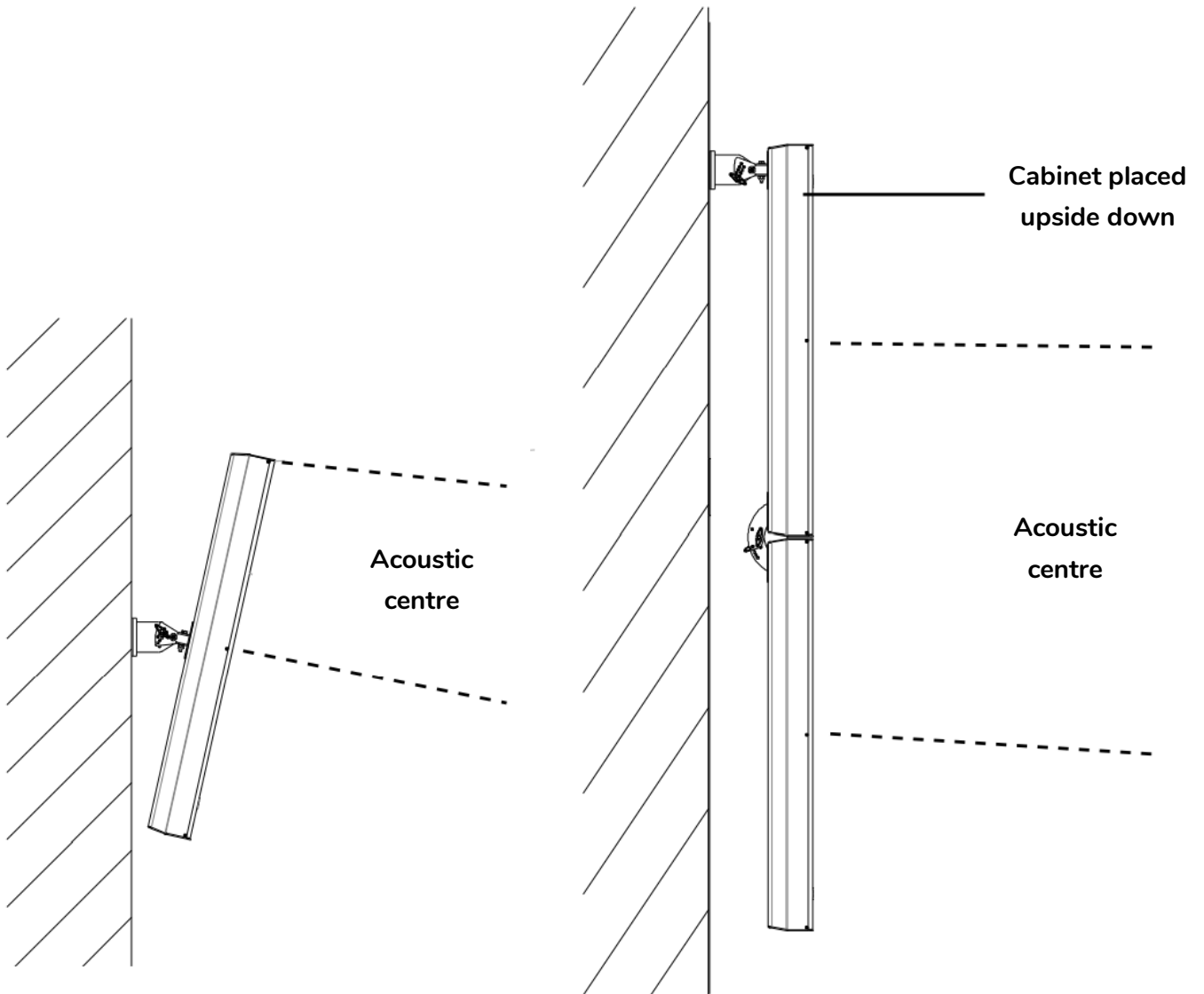
**LABI1-WBC:** column to wall bracket. It allows mounting a loudspeaker column LABI1-C100i on a surface and pan & tilt adjustment.



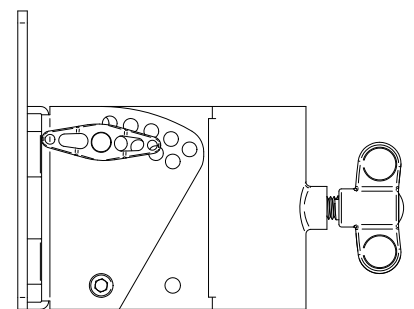
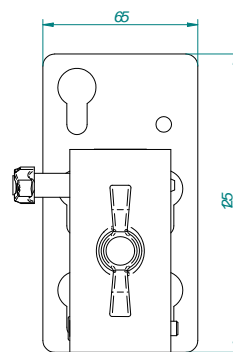
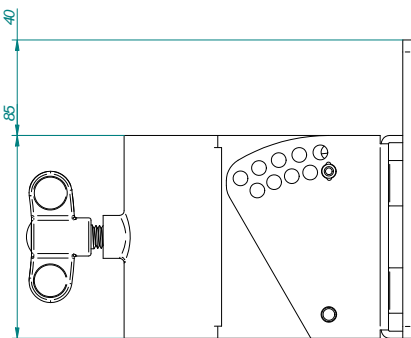
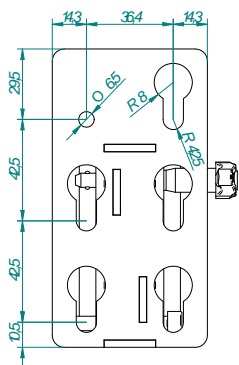
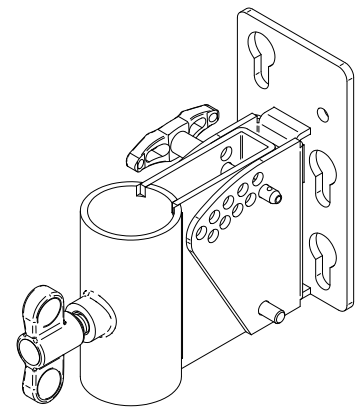
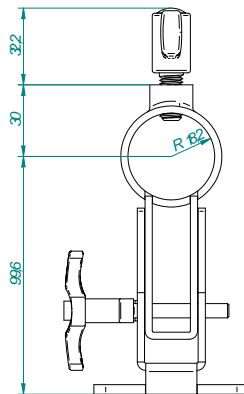


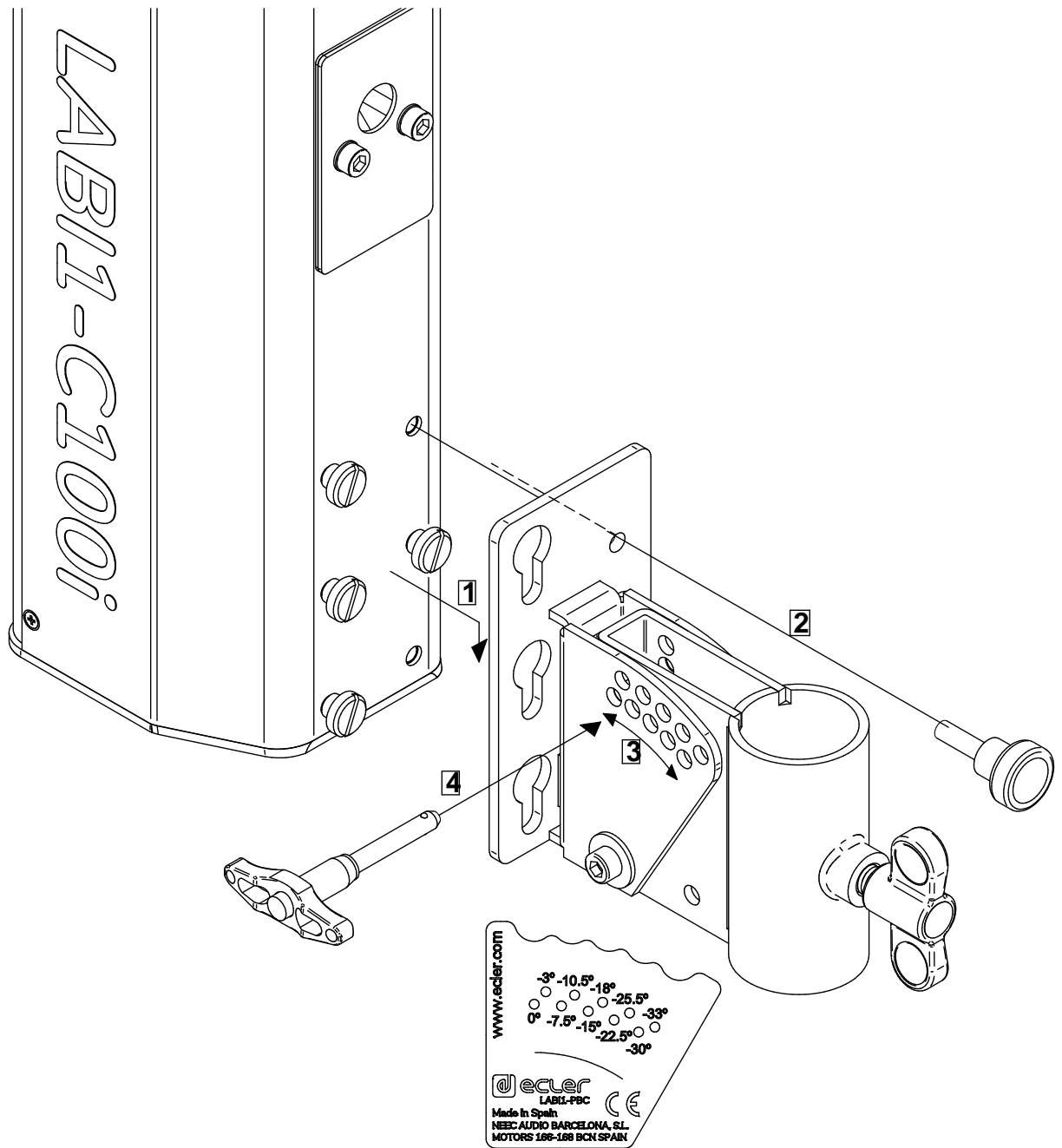


WALL INSTALLATION

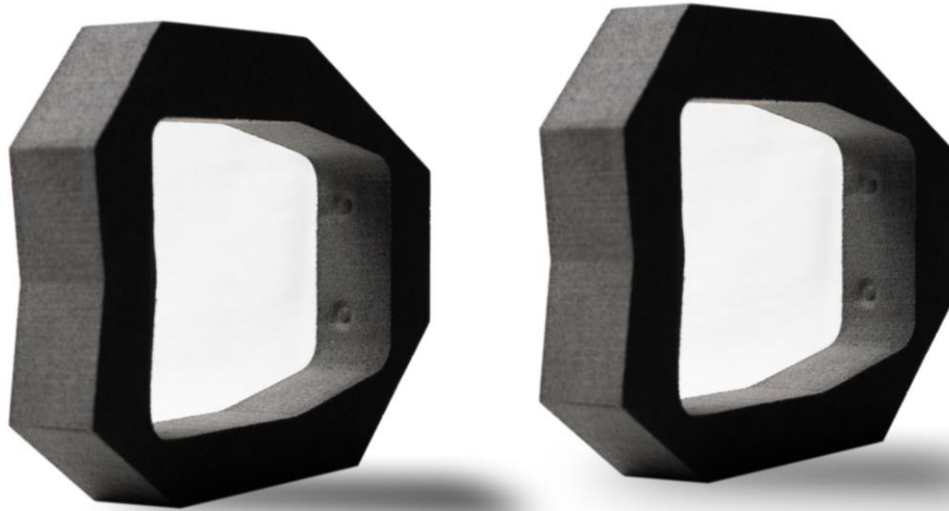


**LABI1-PBC:** column to 35mm pole bracket. It allows mounting a loudspeaker column LABI1-C100i to a 35mm loudspeaker floor stand such as TRIPO1, and pan & tilt adjustment.





**LAB11-HBC:** horizontal column floor/table mounting. It allows placing a loudspeaker column LAB11-C100i on a horizontal surface without scratches or hits, avoiding damaging the loudspeaker's housing or the surface. It also allows positioning the loudspeaker column in 2 different angles.



**LABI1-ODCNX:** outdoor connections cover. It allows installing a loudspeaker column LABI1-C100i outdoor, obtaining an IP54 rating.



**LABI1-SWK:** wheel kit (x4 units) compatible with LABI1-SB18p and LABI1-SB18, allowing an easy transport of the subwoofer cabinet.



**X4**

**LABI1-SPC:** nylon protection cover compatible with LABI1-SB18p and LABI1-SB18, an extra protection form dust and scratches for the subwoofer cabinet.



**LABI1-CFC:** robust flight case with wheels for carrying 2xLABI1-C100i column loudspeakers and accessories, such as connectors or loudspeaker hardware. It allows transporting easily the cabinets when used in portable applications.







All product characteristics are subject to variation due to production tolerances. **NEEC AUDIO BARCELONA S.L.** reserves the right to make changes or improvements in the design or manufacturing that may affect these product specifications.

Motors, 166-168 08038 Barcelona - Spain - (+34) 932238403 | [information@ecler.com](mailto:information@ecler.com) | [www.ecler.com](http://www.ecler.com)