

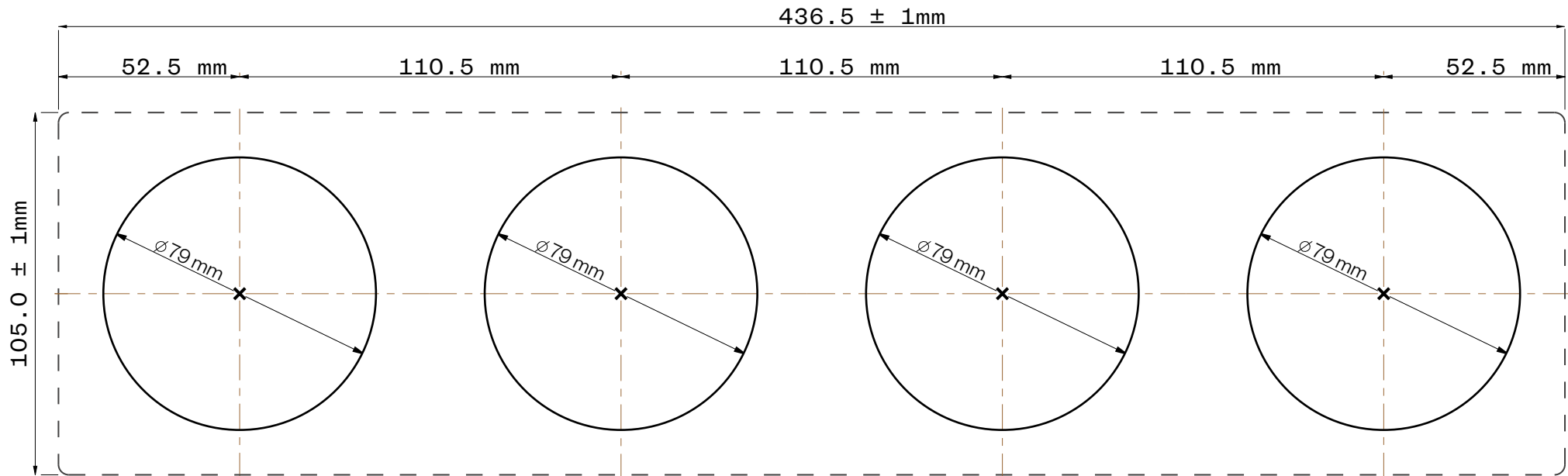
Powerdot Frame⁰⁴ - DRILLING TEMPLATE

ART. NO

9003000309

9003000302

9003000301



NOTE: Measurements may be scaled if printed. All measurements must be checked against physical reference.

Only for surface mounting. Do not recess frame.