

# SUPERBOOSTER® USB EXTENDER

## Superbooster® 4-Port USB over Cat6a Extender Kit - USB 3.2 Gen1 (5Gbps)

C2G's Superbooster 4-Port USB over Cat6a Extender Kit – USB 3.2 Gen 1 (5Gbps) was designed to extend data from USB 3.2, 2.0 and 1.1 devices simultaneously up to 328 feet (100m) over a single Cat6a cable, making it a perfect solution for USB 3.2 conferencing cameras, interactive white boards, security and monitoring, remote storage, and/or any other USB 3, 2 and 1 device.

No software drivers are required, making installation quick and easy with true plug and play convenience. Simply connect the Transmitter to the source computer, extend with a single category cable, and connect the Receiver to as many as four USB devices.

This Superbooster 4-Port Extender Kit provides the ability to connect USB 3.2 Gen 1 (5 Gbps) device types and is backwards compatible to USB 2.0 and 1.1 across a point-to-point connection.

### Tested and Proven

This C2G Superbooster USB Extender has undergone rigorous compatibility testing with industry-leading video conferencing cameras, as well as solid state drives, docks, keyboards, mice and flash drives—ensuring total reliability and deployment confidence, plus saving valuable time for AV integrators as well.



C2G54265 Receiver



C2G54265 Transmitter

ITEM	DESCRIPTION
------	-------------

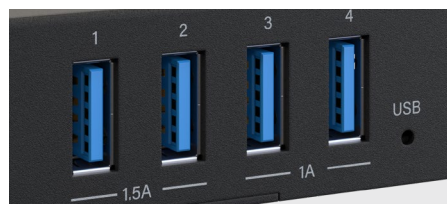
C2G54265	Superbooster® 4-Port USB over Cat6a Extender Kit - USB 3.2 Gen1 (5Gbps)
----------	---

# SUPERBOOSTER® USB EXTENDER

Superbooster® 4-Port USB over Cat6a Extender Kit  
- USB 3.2 Gen1 (5Gbps)

## FEATURES

- Tested and proven to support leading video conferencing cameras, solid state drives, docks, keyboards, mice and flash drives
- Extension of USB 3.2 data up to 328 ft (100m) over Cat6a cable
- USB 3.2 connectivity with data transfer rate up to 5Gbps
- Backwards compatible with USB 2.0 and 1.1
- Support RS-232 pass-through and FSYNC GPIO pass-through (for industry camera use)
- Supports bi-directional 24V PoC
- Plug and play - no drivers required
- Perfect for extending cameras, white boards, storage drives, and other high bandwidth USB devices



C2G54265

# SUPERBOOSTER<sup>®</sup> USB EXTENDER

## COMPATIBILITY TEST

Devices were tested with C2G54265 - Superbooster 4-Port USB over Cat6a Extender Kit - USB 3.2 Gen1 (5Gbps).

Device/Source	Model	Dell Latitude 5500	Lenovo ThinkPad T14	HP Spectre x360 2021	Windows Surface Laptop 4	CTL Chromebook	Apple MacBook Pro M1 (A to C adapter)
Cameras	AVAYA RC100	700515495 Rev:A02	Pass	Pass	Pass	Pass	Pass
	Aver Cam550	COMCAM550	Pass	Pass	Pass	Pass	Pass <sup>4</sup>
	Aver TR333V2	PATR333V2	Pass	Pass	Pass	Pass	N/A
	Huddly IQ	H1-MBLK E44A00355	Pass	Pass	Pass	Pass	Pass
	Logitech Brio	V-U0040	Pass	Pass	Pass	Pass	Pass
	Logitech Meetup	V-R0007	Pass	Pass	Pass	Pass	Pass
	Logitech Rally Bar	VR-0019	Pass	Pass	Pass	Pass <sup>3</sup>	Pass
	Owl Labs Meeting Owl 3	MTW300-1000	Pass <sup>2</sup>	Pass	Pass <sup>2</sup>	Pass	Pass
Hard Drives/ U Drives	Polycom Poly Studio 4K	P009	Pass	Pass	Pass	Pass	Pass
	Kingston Solid State Drive	XS2000	Pass	Pass	Pass	Pass	Pass
	PNY USB 2.0 Flash Drive	P-FD32GX5ATT4-EF	Pass	Pass	Pass	Pass	Pass
	Rocket XTRM-Q Solid State Drive	SB-XTMQ-1TB	Pass	Pass	N/A	Pass	Pass
Docks/Hubs	Sandisk Solid State Drive	SDSSDE81-1T00-G25	Pass <sup>1</sup>	Pass	Pass	Pass	Pass
	C2G Docking station + Logitech mouse + San Disk Flash Drive	C2G54535 + M185 + SDSSDE81-1T00-G25	Pass <sup>1</sup>	Pass	Pass	Pass	Pass
	C2G USB Hub + Logitech mouse	C2G54461 + M185	Pass	Pass	Pass	Pass	Pass
	Logitech USB 2.0 Mouse	M185	Pass	Pass	Pass	Pass	Pass
xbox Core controller	M1142084-007	Pass	Pass	Pass	Pass	Pass	N/A

### FOOTNOTES ON TEST RESULTS

- At the full 328 ft (100m) distance, there could be intermittent but rare occurrences of USB link disconnects that cannot be replicated reliably. When this does happen, the link will automatically reconnect. Alternatively, using a shorter cable will also resolve the issue.
- Occasional articulating not seen with passive cable.
- Camera stopped working between shutdown test. Recovered after a few minutes.
- After power cycling the Aver camera, it takes a few seconds to re-detect the camera, then works without an issue.
- Did not connect at USB 3.2 speeds at first. Power cycle resolved the issue.

Key	
<span style="background-color: #c6e0b4; border: 1px solid black; display: inline-block; width: 15px; height: 10px;"></span>	Pass
<span style="background-color: #f4cccc; border: 1px solid black; display: inline-block; width: 15px; height: 10px;"></span>	Failure
<span style="background-color: #fce4d6; border: 1px solid black; display: inline-block; width: 15px; height: 10px;"></span>	Intermittent Failure
<span style="background-color: #fff2cc; border: 1px solid black; display: inline-block; width: 15px; height: 10px;"></span>	Intermittent Failure; Less Pronounced

### HOW TESTS WERE CONDUCTED

Source->3.3ft (1m) B-A Cable or 10ft (3m)  
B-C Cable->C2G54265 USB 3.2 Extender  
TX->328ft (100m) Cat6a U/FTP->RX->  
Device (powered at rx) (1)

# SUPERBOOSTER® USB EXTENDER

## COMPATIBILITY TEST

Devices were tested with C2G54265 - Superbooster 4-Port USB over Cat6a Extender Kit - USB 3.2 Gen1 (5Gbps).

Device/Source	Model	Dell Inspiron 14	Microsoft Surface Laptop 4 AMD	MacBook Air A1932	Asus Vivobook 14 Intel	Samsung Chromebook Plus V2	
Keyboards/Mice/SSD/Flash Drive	Kingston Hard Drive	xs2000	Pass	Pass	Pass	Pass	
	SanDisk Hard Drive	SDSSDE81-1T00	Pass	Pass	Pass	Pass	
	SanDisk U Disk	SDDDC3	Pass	Pass	Pass	Pass <sup>6</sup>	
	SanDisk U Disk	SDCZ74	Pass	Pass	Pass	Pass	
	Corsair Keyboard	RGP0057	Pass	Pass	Pass <sup>7</sup>	Pass <sup>8</sup>	Pass
	Logitech Keyboard	Y-U0009	Pass	Pass	Pass	Pass	Pass
	A4TECH Wireless Keyboard/Mouse	FG1010 Combo	Pass	Pass	Pass	Pass	Pass
	Apple Mouse	A1152	Pass	Pass	Pass	Pass	Pass
	DELL Wireless Keyboard/Mouse	KM117 Combo	Pass	Pass	Pass	Pass <sup>9</sup>	Pass
	HP Wireless Keyboard/Mouse	CS10 Combo	Pass	Pass	Pass	Pass	Pass
	Logitech Wireless Keyboard/Mouse	MK270 Combo	Pass	Pass	Pass	Pass <sup>9</sup>	Pass
	RAPOO Wireless Keyboard/Mouse	X336M Combo	Pass	Pass	Pass	Pass	Pass
	Razer Mouse	RZ01-0321	Pass	Pass	Pass	Pass	Pass

### FOOTNOTES ON TEST RESULTS

- During hotplug testing, the devices were not detected 7 out of 50 times. Unplugging the host device or RJ45 cable resolved the issue.
- During hotplug testing, the USB Keyboard/Mouse could not wake up the laptop 4 out of 50 times. Rebooting the laptop resolved the issue.
- During hotplug testing, the devices were not detected 6 out of 50 times. Unplugging the host device or RJ45 cable resolved the issue.
- During hotplug testing, the devices were not detected 7 out of 50 times. Rebooting the laptop resolved the issue.

Key	
Pass	Pass
Failure	Failure
Intermittent Failure	Intermittent Failure
Intermittent Failure; Less Pronounced	Intermittent Failure; Less Pronounced

### HOW TESTS WERE CONDUCTED

Source->3.3ft (1m) B-A Cable or 10ft (3m)  
B-C Cable->C2G54265 USB 3.2 Extender  
TX->295ft (90m) Cat6a U/FTP or 328ft  
(100m) F/FTP->RX->Device (powered at rx)

# SUPERBOOSTER® USB EXTENDER

---

## BEST PRACTICES

Please follow these recommendations to achieve best performance from your C2G54265 Superbooster 4-Port USB Extender.

### Category Cables

For best performance, use 295 ft (90m) or shorter Cat6a F/FTP cable.

- U/FTP cable can also be used, but may not perform as well, particularly at maximum distances
- Performance using Cat6a cables with other types of shielding, Cat6, and Cat5e cannot be guaranteed

At the full 328 ft (100m) distance, there could be intermittent but rare occurrences of USB link disconnects that cannot be replicated reliably.

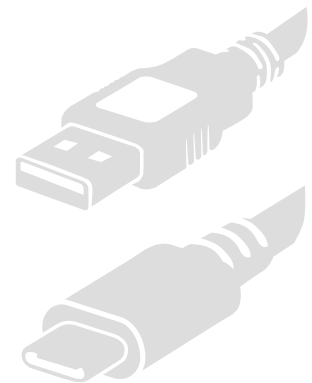
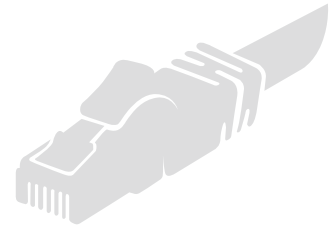
- When this does happen, the devices reconnect automatically

For best link stability at long lengths, the transmitter and receiver should be placed in a minimal vibration environment.

- It is recommended that you stabilize the devices using the mounting ears

### USB Cables

- Recommended max distance of USB cables used on the transmitter or receiver side is 6 ft (1.8m)
- USB cable from the host to the transmitter can be an A-B or a C-B cable
  - If you experience any performance issues, please ensure you are using a USB-IF certified cable



# SUPERBOOSTER® USB EXTENDER

Superbooster® 4-Port USB over Cat6a Extender Kit  
- USB 3.2 Gen1 (5Gbps)

## SPECIFICATIONS

		C2G54265
PHYSICAL SPECIFICATIONS	Operating Temperature	0°C to 40°C (32°F to 104°F)
	Storage Temperature	-20°C to 60°C (-4°F to 140°F)
	Storage Humidity	20% to 90% relative humidity, non-condensing
PHYSICAL CHARACTERISTICS	Regulatory Approvals	Product CE/FCC, RoHS, and UKCA certified
	Dimensions (HxWxD)	<b>Transmitter:</b> 1 x 3.35 x 3.94in (25.5 x 85 x 100mm) <b>Receiver:</b> 1 x 3.35 x 3.94in (25.5 x 85 x 100mm)
	Material	Metal
	Housing Color	Pantone Gray
PORTS	Transmitter	<b>1x USB-B Host Port:</b> Supports USB 3.2 Gen 1
		<b>1x RJ45 HDBT Port</b>
		<b>1x RS232:</b> 3-pin Pheonix Connector
		<b>1x USB-C:</b> Firmware Update Port
		<b>1x DC 24V/ 2A Power Input Port</b>
	Receiver	<b>4x USB-A Ports:</b>
		<ul style="list-style-type: none"> <li>Port 1/2 - Max Output Power up to 5V/1.5A</li> <li>Port 3/4 - Max Output Power up to 5V/1A</li> </ul>
		<b>1x RJ45 HDBT Port</b>
		<b>1x RS232:</b> 3-pin Pheonix Connector
		<b>1x USB-C:</b> Firmware Update Port
	<b>1x DC 24V/ 2A Power Input Port</b>	

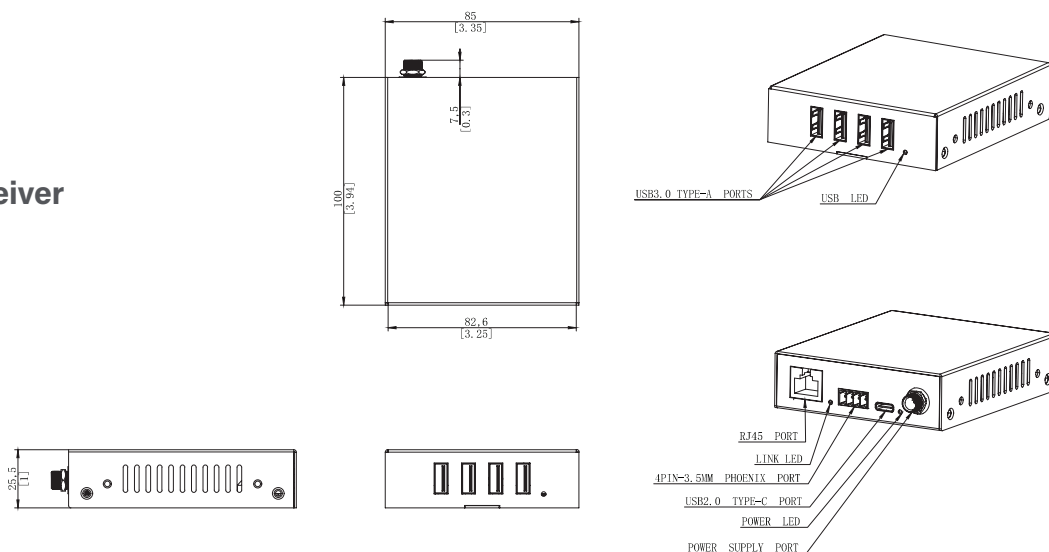


# SUPERBOOSTER® USB EXTENDER

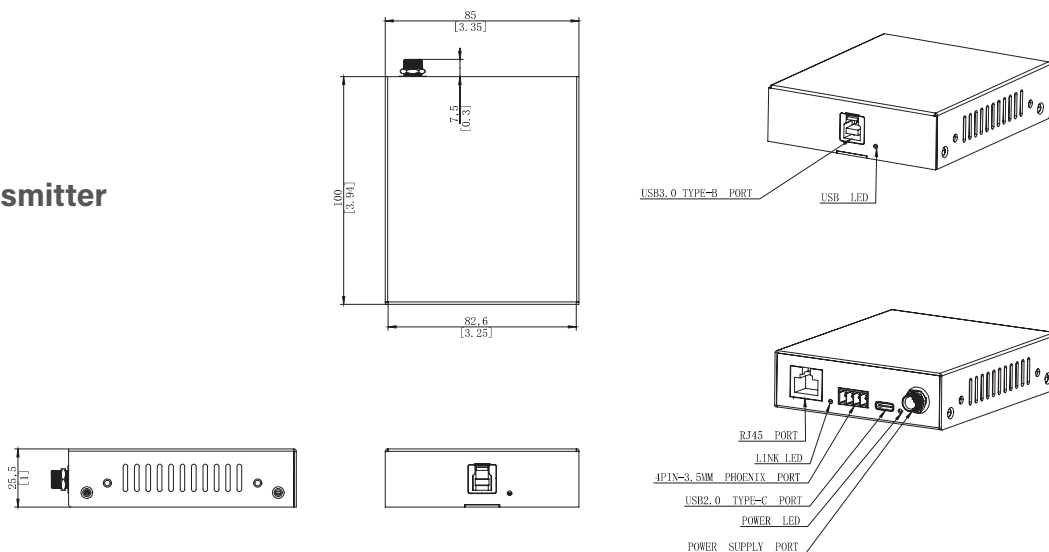
Superbooster® 4-Port USB over Cat6a Extender Kit  
- USB 3.2 Gen1 (5Gbps)

## TECHNICAL DRAWING

### Receiver



### Transmitter



LEGRAND | AV COMMERCIAL BRANDS  
C2G | Chief | Da-Lite | Luxul | Middle Atlantic | Vaddio | Wiremold

SIMPLIFIED CONNECTIVITY | [legrandav.com](http://legrandav.com)

USA 800.506.9607 [customer-service@c2g.com](mailto:customer-service@c2g.com)

©2024 Legrand AV Inc. 231007 Rev B 6/24 C2G, Chief, Da-Lite, Luxul, Middle Atlantic, Vaddio, and Wiremold are registered trademarks of Legrand AV Inc. All other brand names or marks are used for identification purposes and are trademarks of their respective owners. All patents are protected under existing designations. Other patents pending.