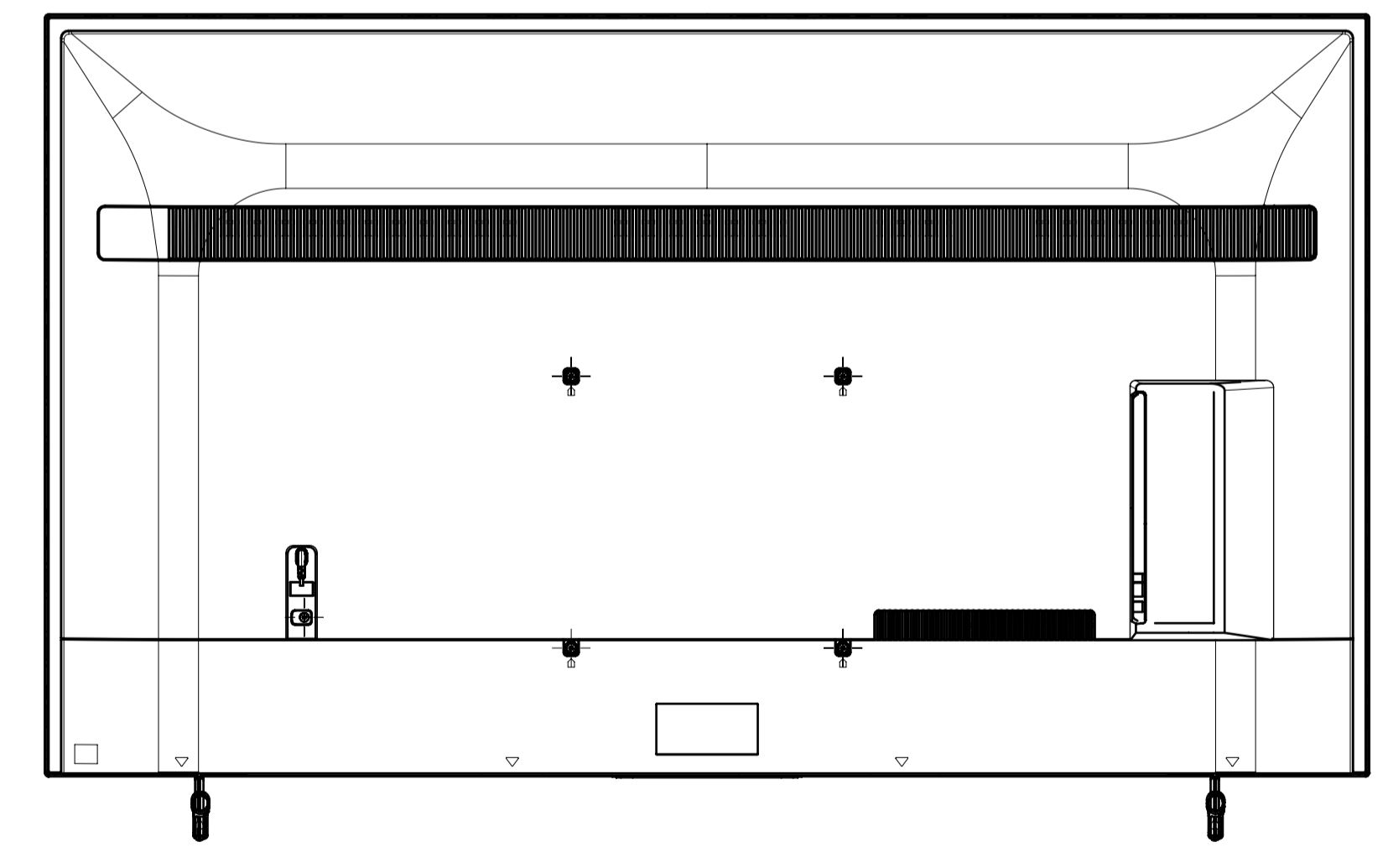
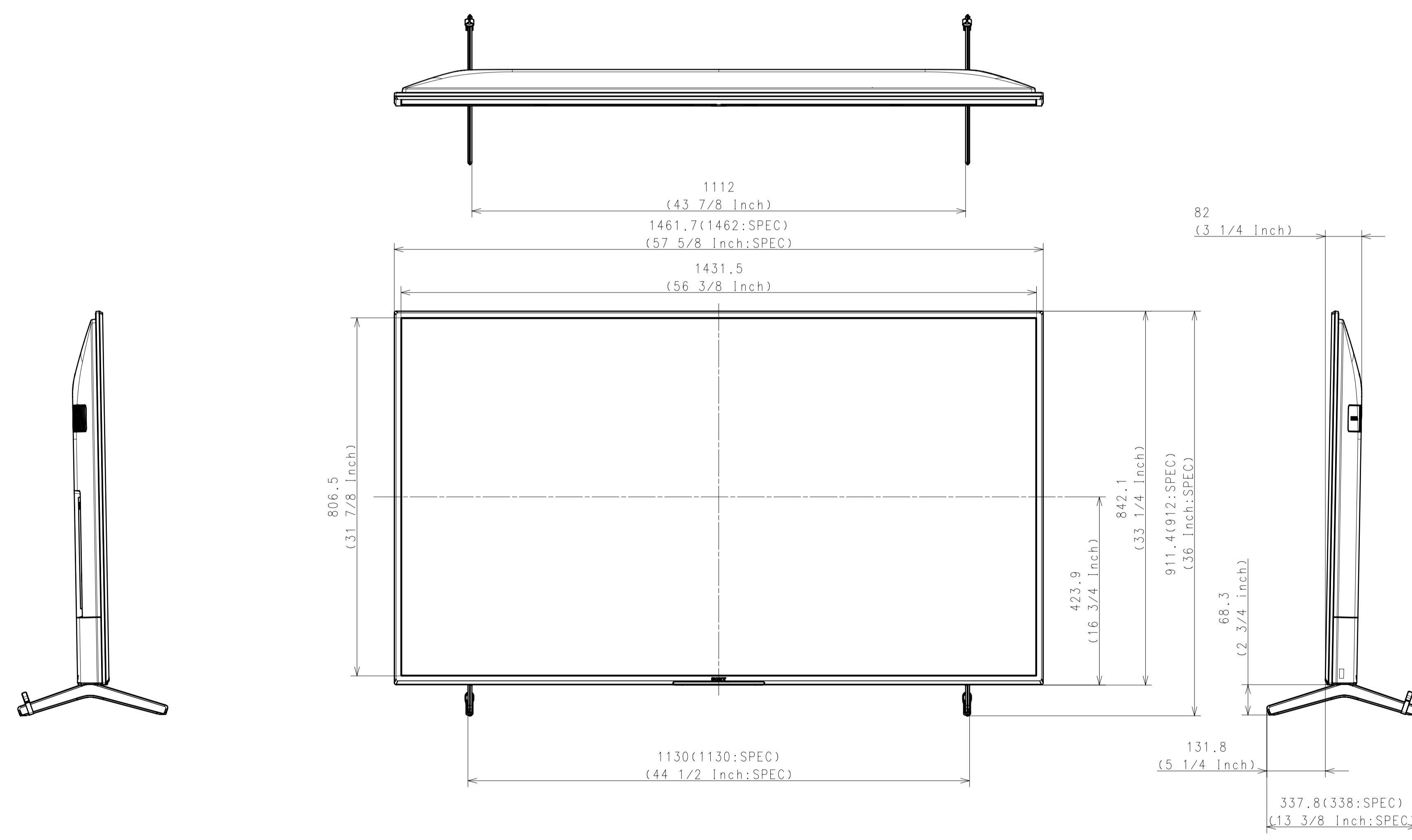


Area	JAPAN	NORTH AMERICA	EUROPE	GENERAL AREA	
Model Name	FW-65EZ20L	FW-65EZ20L	FW-65EZ20L	FW-65EZ20L	
SV No.	SV-41756	SV-41753	SV-41755	SV-41754	
DIMENSION	TV only (W x H x D)	146.2 x 84.2 x 7.1 cm	1462 x 842 x 71 mm / 57 5/8 x 33 1/4 x 2 7/8 inch	Approx. 146.2 x 84.2 x 7.1 cm	Approx. 1462 x 842 x 71 mm
	TV only with camera (W x H x D)	-	-	-	-
	TV with Stand (Standard position) (W x H x D)	-	1462 x 912 x 338 mm / 57 5/8 x 36 x 13 3/8 inch	Approx. 146.2 x 91.2 x 33.8 cm	Approx. 1462 x 912 x 338 mm
	TV with Stand (Narrow position) (W x H x D)	-	-	-	-
	TV with Stand (Soundbar position) (W x H x D)	-	-	-	-
	TV with Stand (Front position style) (W x H x D)	-	-	-	-
	TV with Stand (Back position style) (W x H x D)	-	-	-	-
	TV with Floor Stand (W x H x D)	-	-	-	-
	Stand Width (Standard position)	-	1130 mm / 44 1/2 inch	Approx. 113.0 cm	Approx. 1130 mm
	Stand Width (Narrow position)	-	-	-	-
	Stand Width (Soundbar position)	-	-	-	-
	Stand Width (Front position style)	-	-	-	-
	Stand Width (Back position style)	-	-	-	-
	Floor Stand Width	-	-	-	-
WEIGHT	VESA Hole Pitch	30.0 x 30.0 cm	300 x 300 mm / 11 7/8 x 11 7/8 inch	30.0 x 30.0 cm	300 x 300 mm
	TV Only	20.4 kg	20.4 kg / 45 lb	Approx. 20.4 kg	Approx. 20.4 kg
	TV with Stand (Standard position)	-	21.3 kg / 47 lb	Approx. 21.3 kg	Approx. 21.3 kg
	TV with Stand (Narrow position)	-	-	-	-
	TV with Stand (Soundbar position)	-	-	-	-
	TV with Stand (Front/Back position style)	-	-	-	-
	TV with Floor Stand	-	-	-	-
Remarks	Floor Stand weight (Supply)	-	-	-	-
	W-M't Br. Weight (Supply)	-	-	-	-
		Stand unbundle	Optional stand	Optional stand	

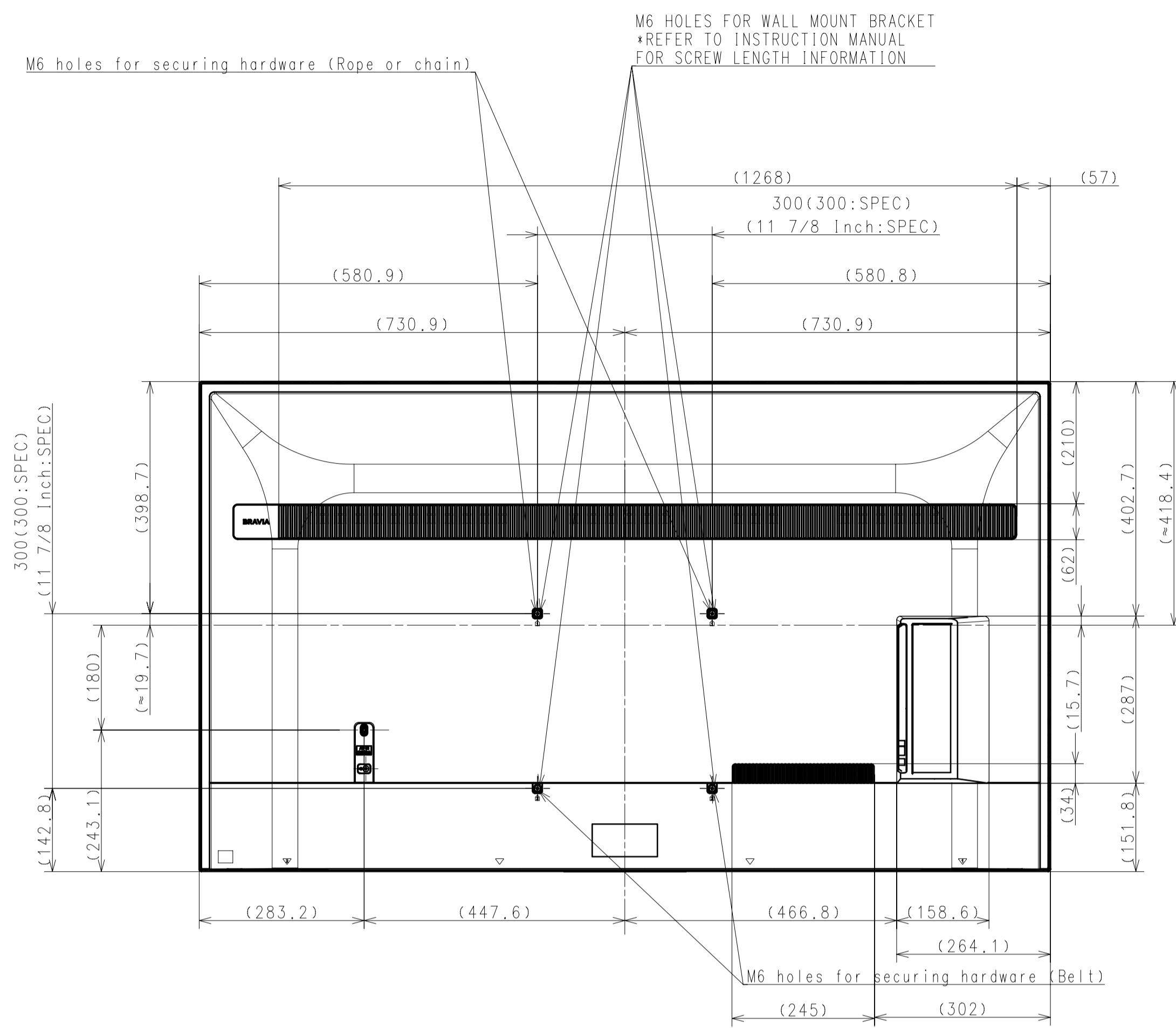
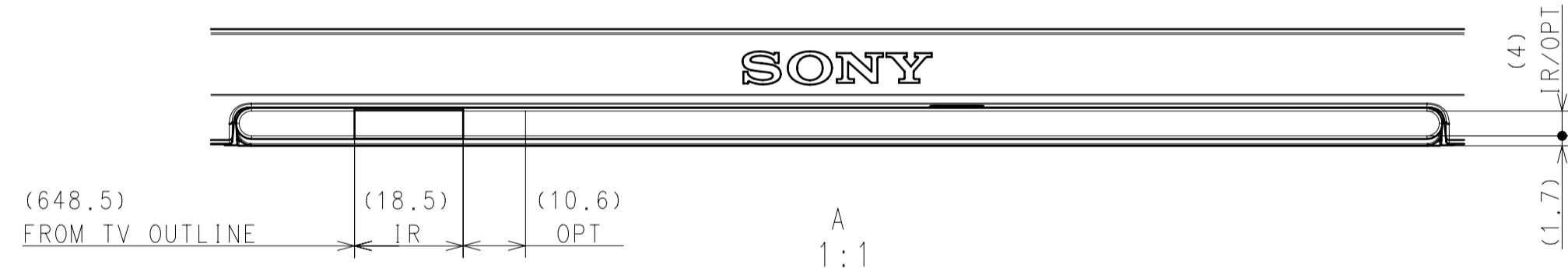
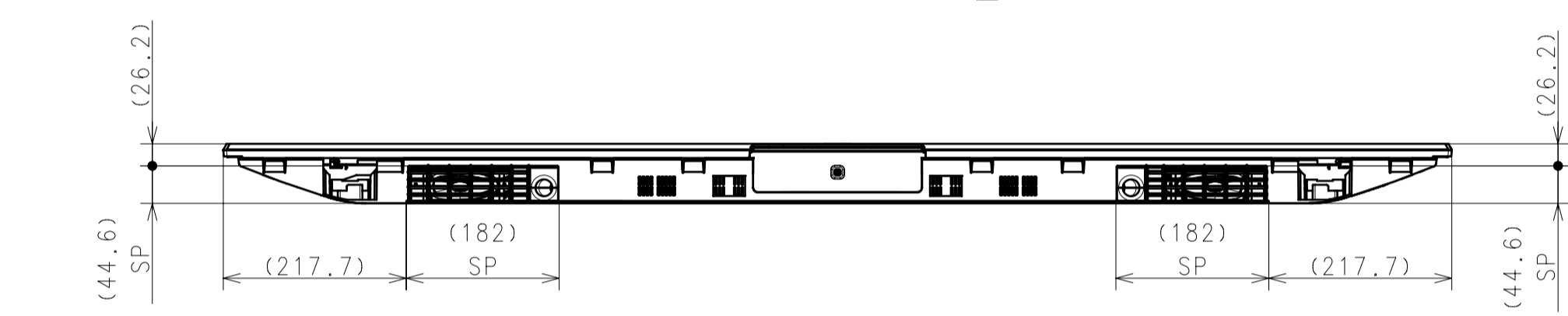
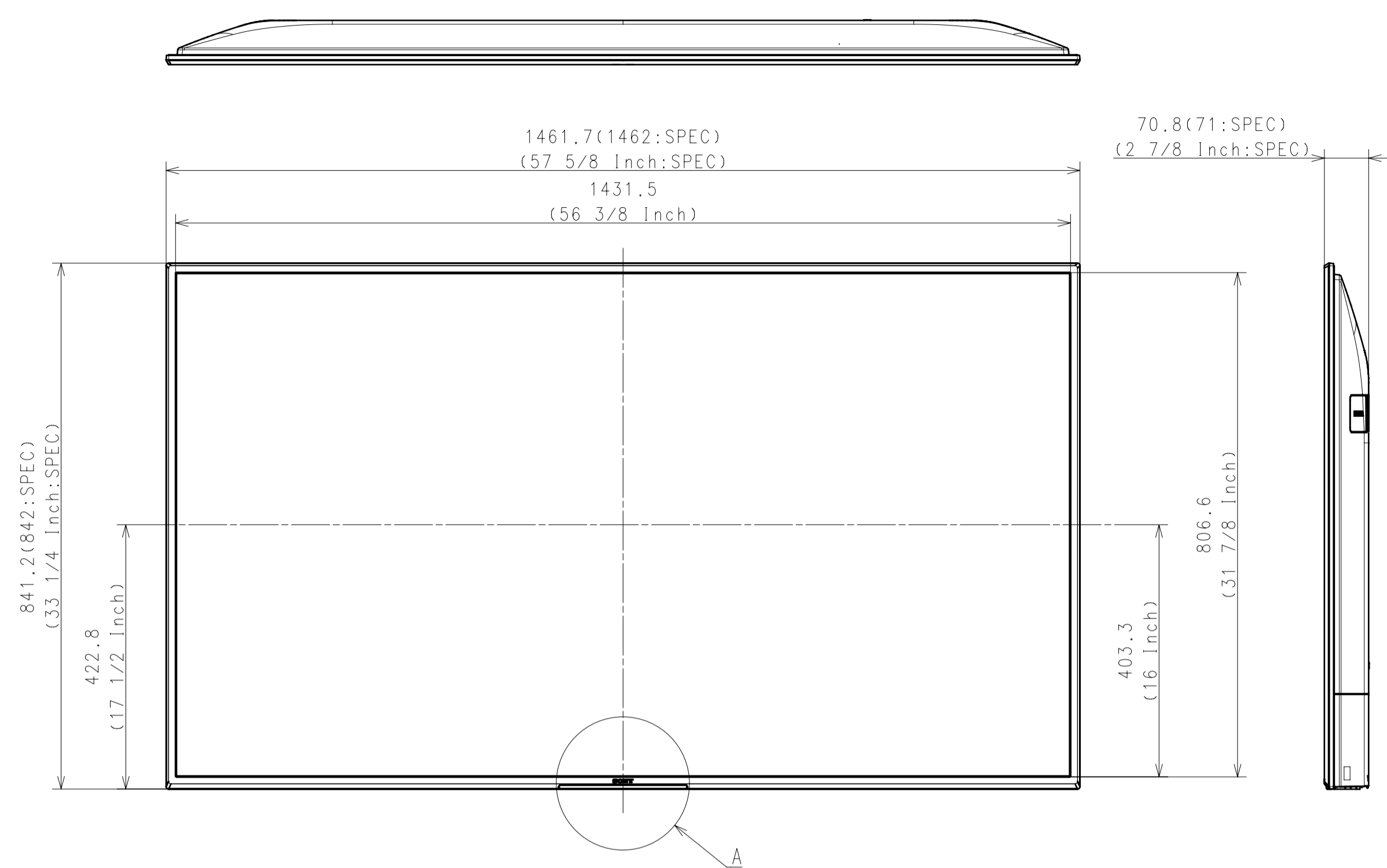
WITH STAND



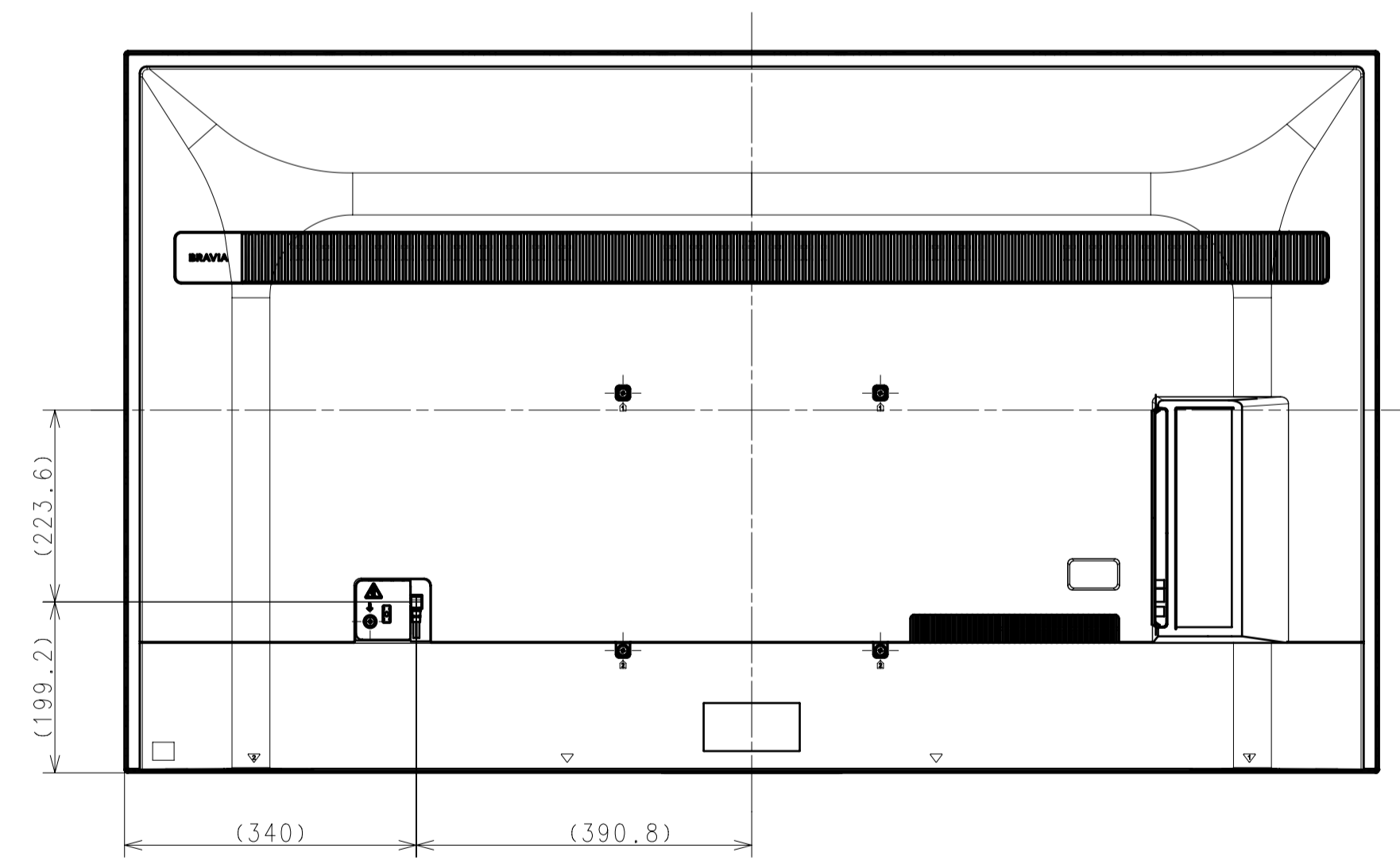
Purchase recycled resins and wire rods only from the business partners that Sony approves as Green Partners.  
 再生樹脂・銅線棒のみから調達してください。

DATE OF ISSUE 2023.07.07	DOCUMENT TYPE ASSEMBLY DRAWING	GENERAL TOLERANCE	MATERIAL COLOR	FINISH COLOR
RESPONSIBLE DEPARTMENT: PANEL & MECHANICAL DESIGN DESIGNED BY: 2023.07.07 DRAWN BY: 2023.07.07 CHECKED BY: [ ] APPROVED BY: [ ] SCALE: 1:2 TENTATIVE MODEL: [ ] SIZE: A1 UNIT: mm SHEET/PAGES: 1/4				
ORIGINAL MODEL: 65 (EZ20L) EXTERIOR VIEW DESCRIPTION: 65 (EZ20L) EXTERIOR VIEW PART NO.: [ ] SUFFIX: [ ] REV. NO.: [ ]				

WITHOUT STAND



For NORTH AMERICA, GENERAL AREA, EUROPE

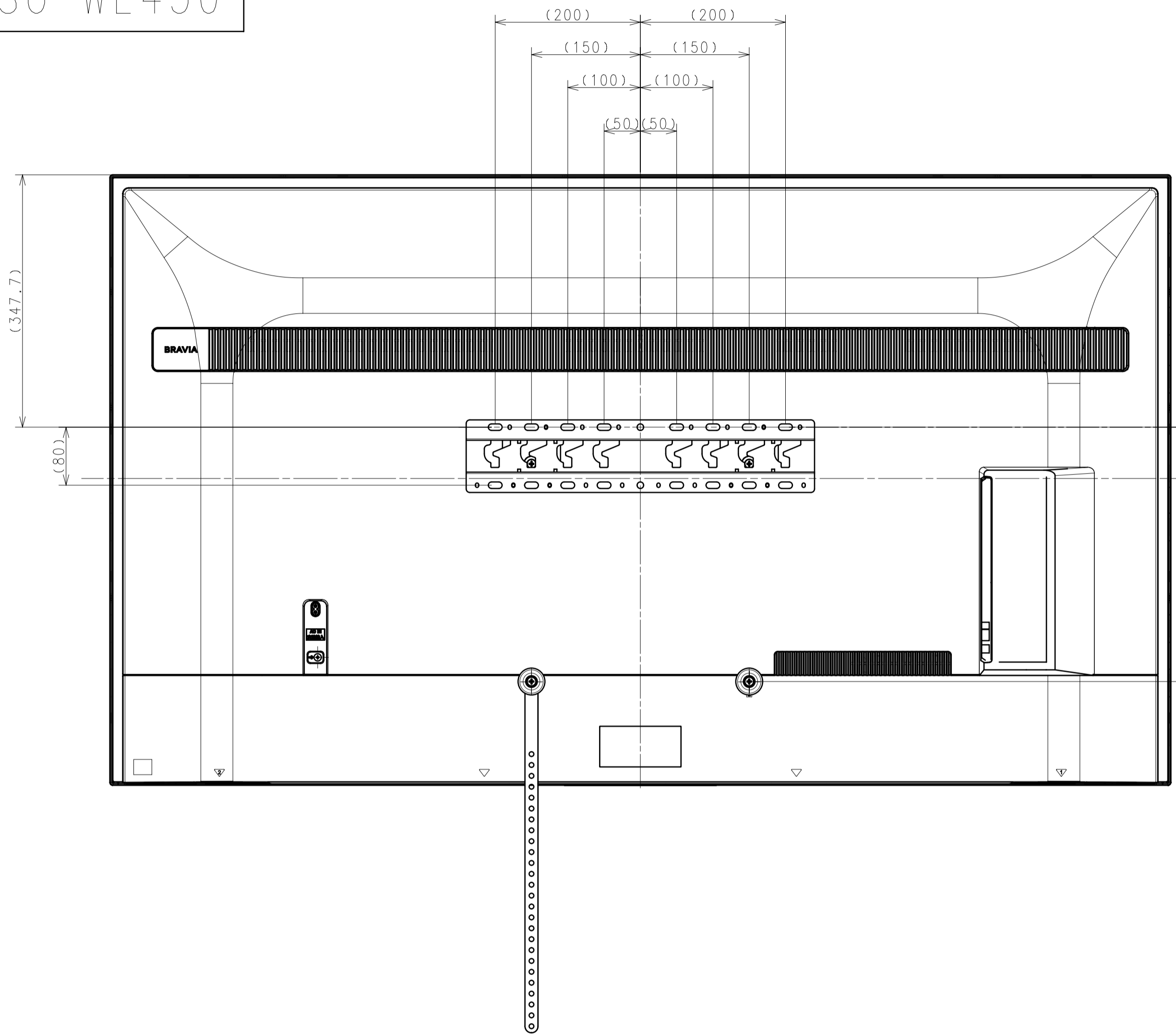


For JAPAN

SU-WL450

STANDARD

SLIM



70.7(71:SPEC)  
(2.778 Inch:SPEC)

350.5(351:SPEC)  
(13.778 Inch:SPEC)

134.6(135:SPEC)  
(5.3/8 Inch:SPEC)

493.7(494:SPEC)  
(19.41/2 Inch:SPEC)

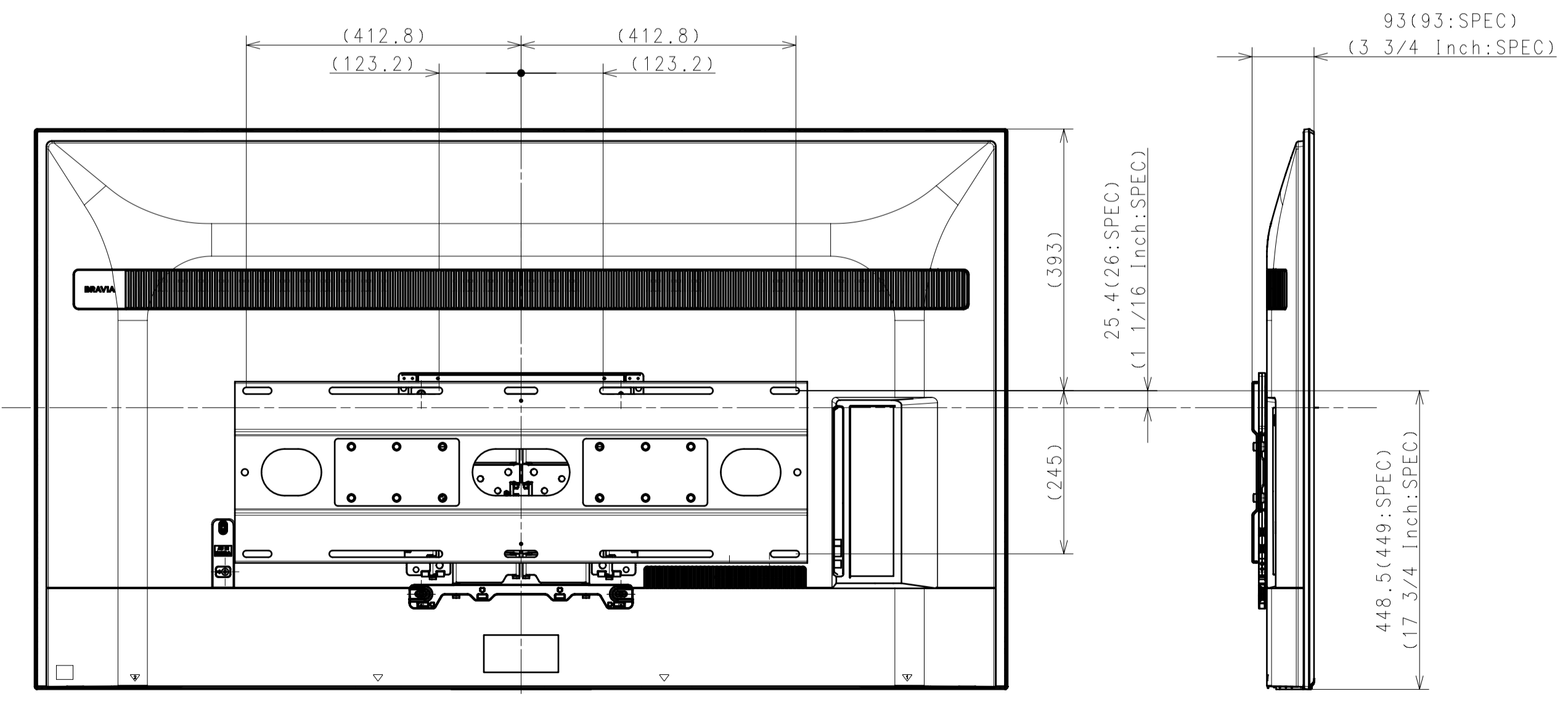
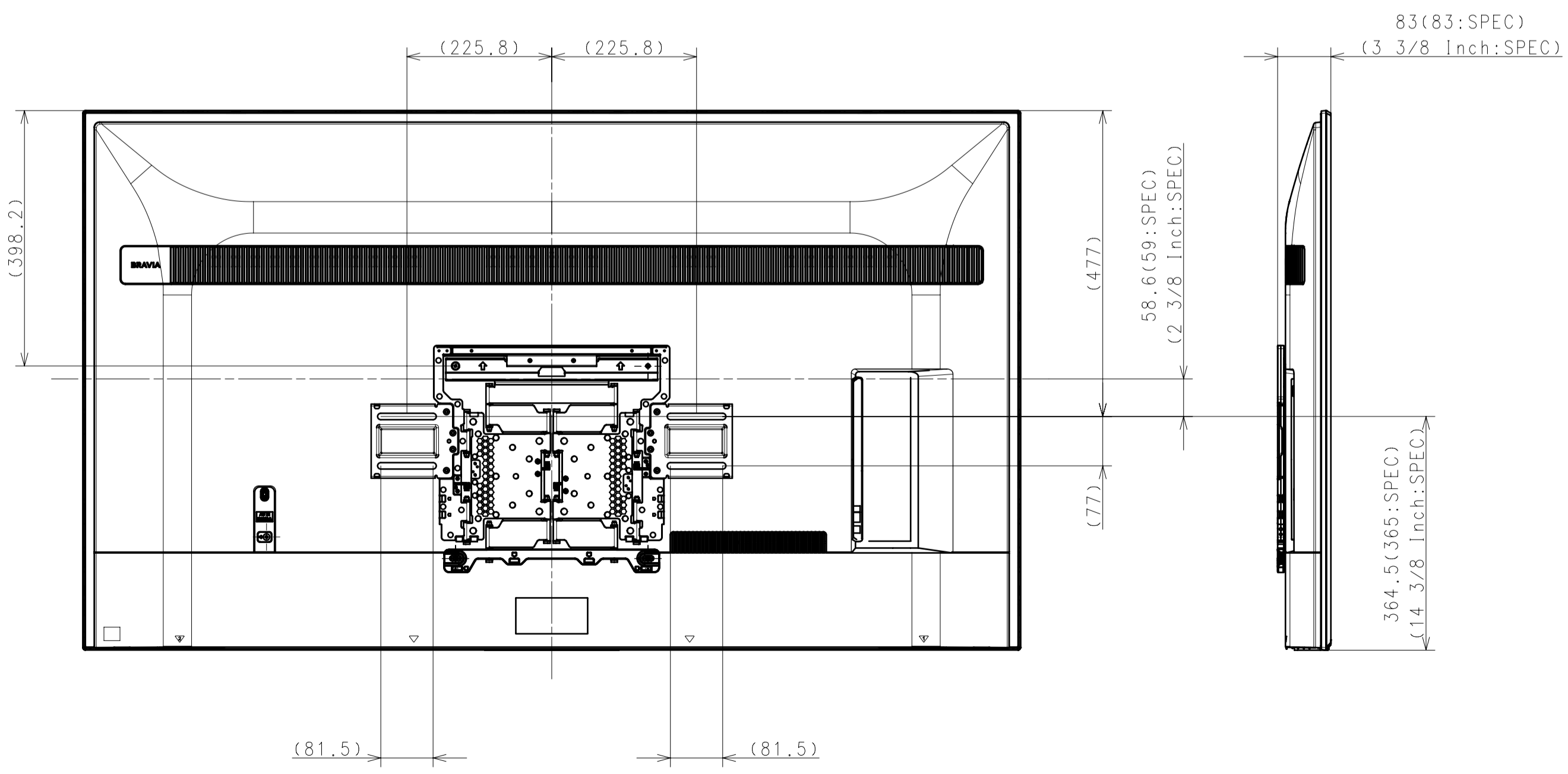
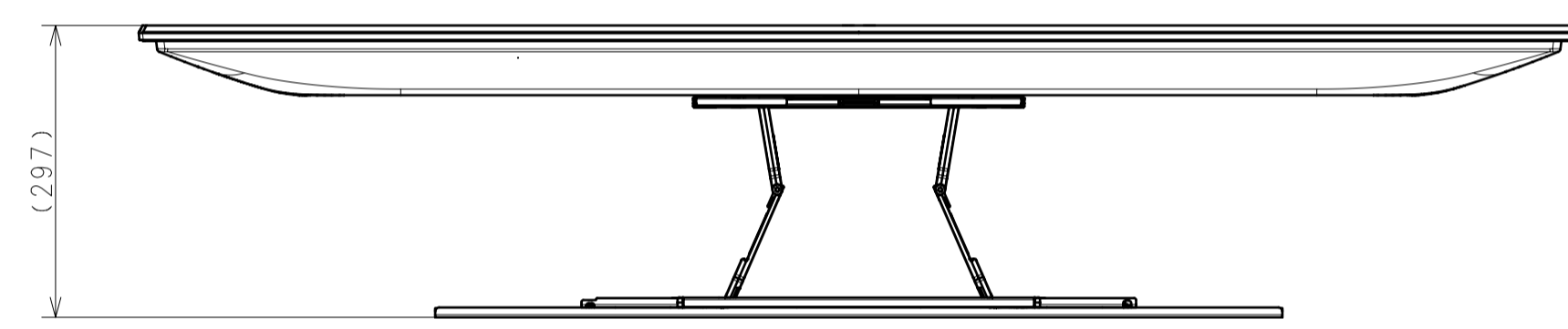
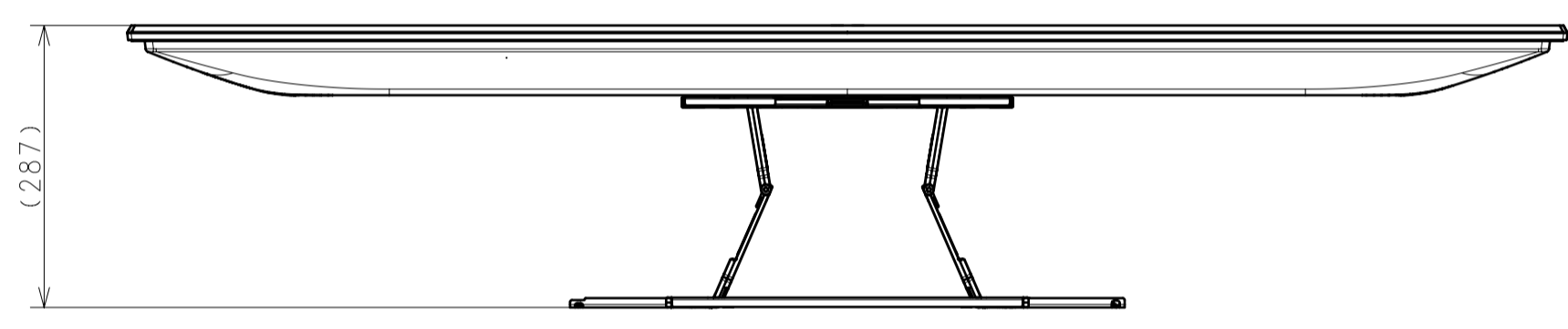
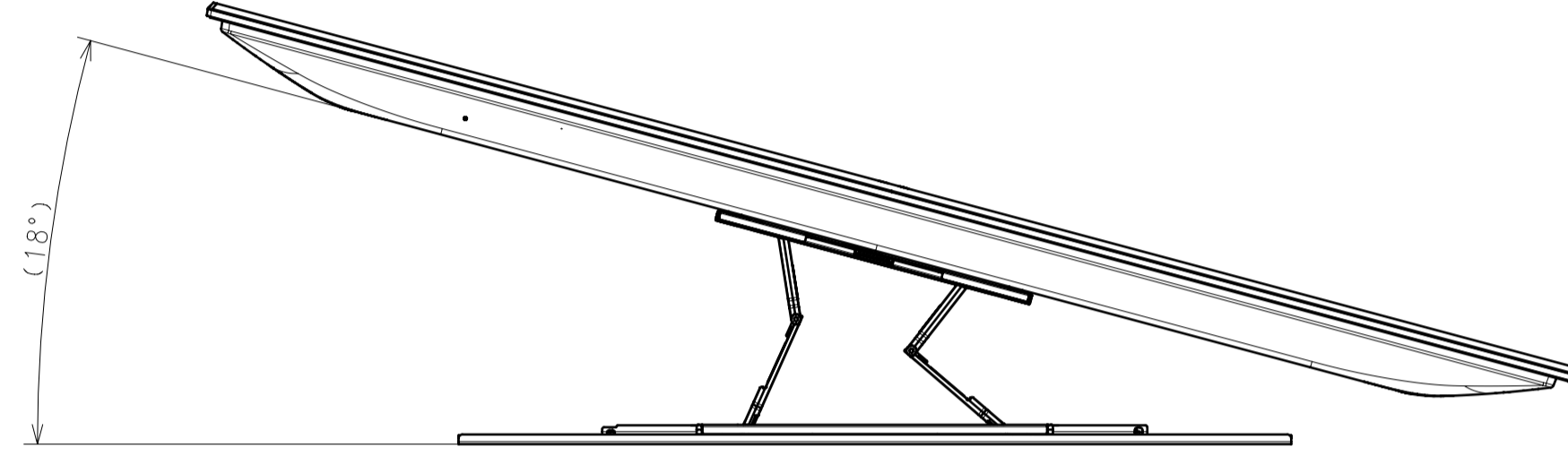
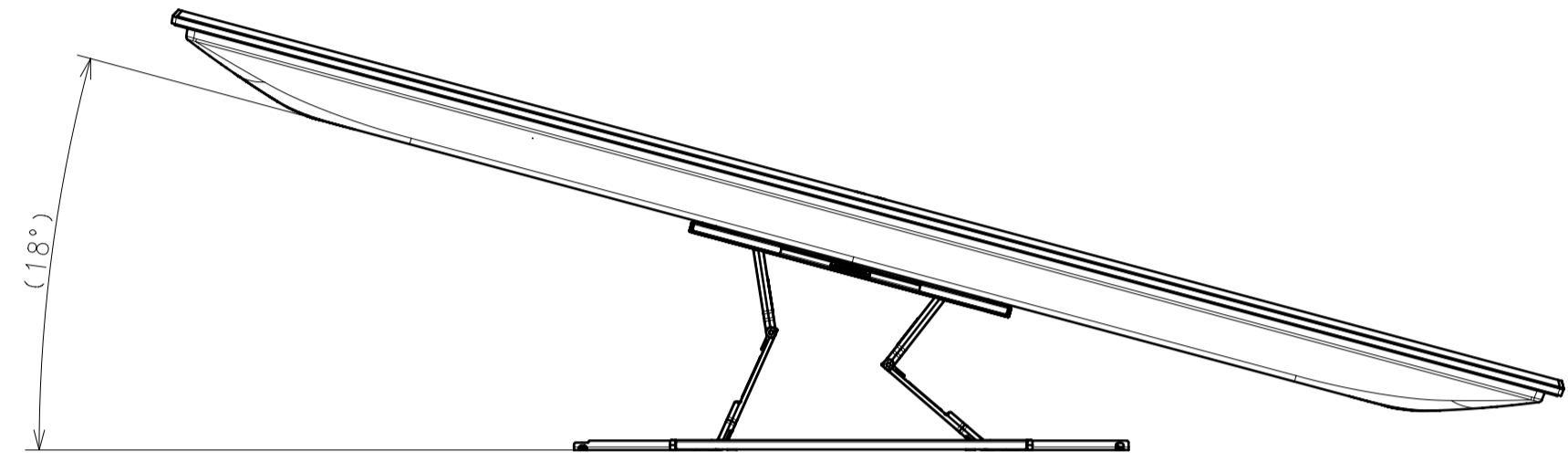
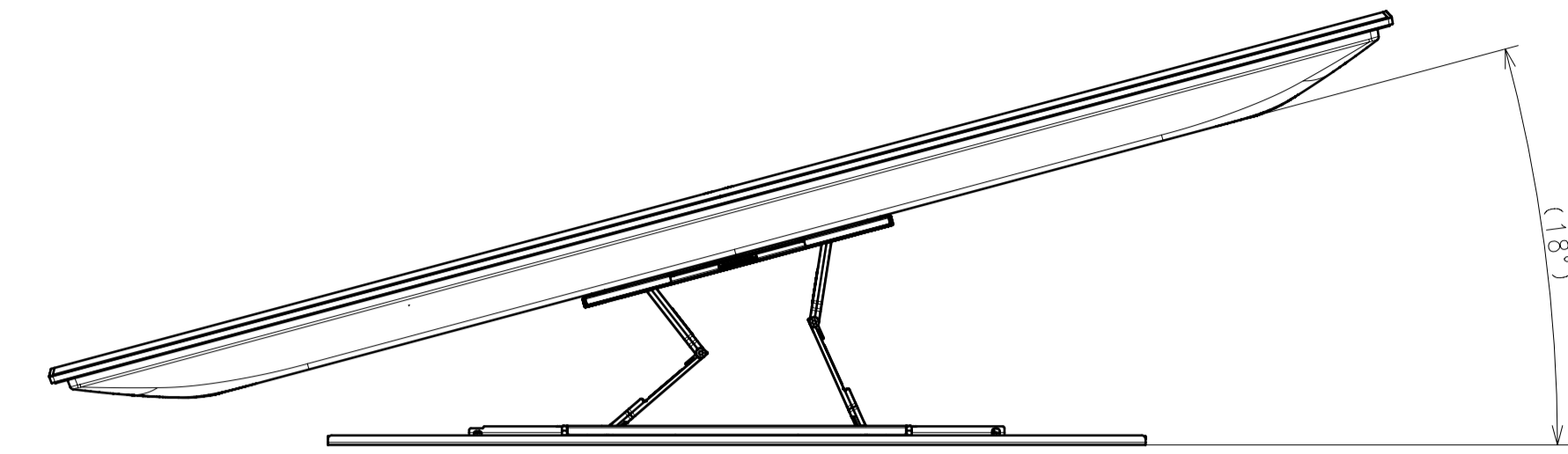
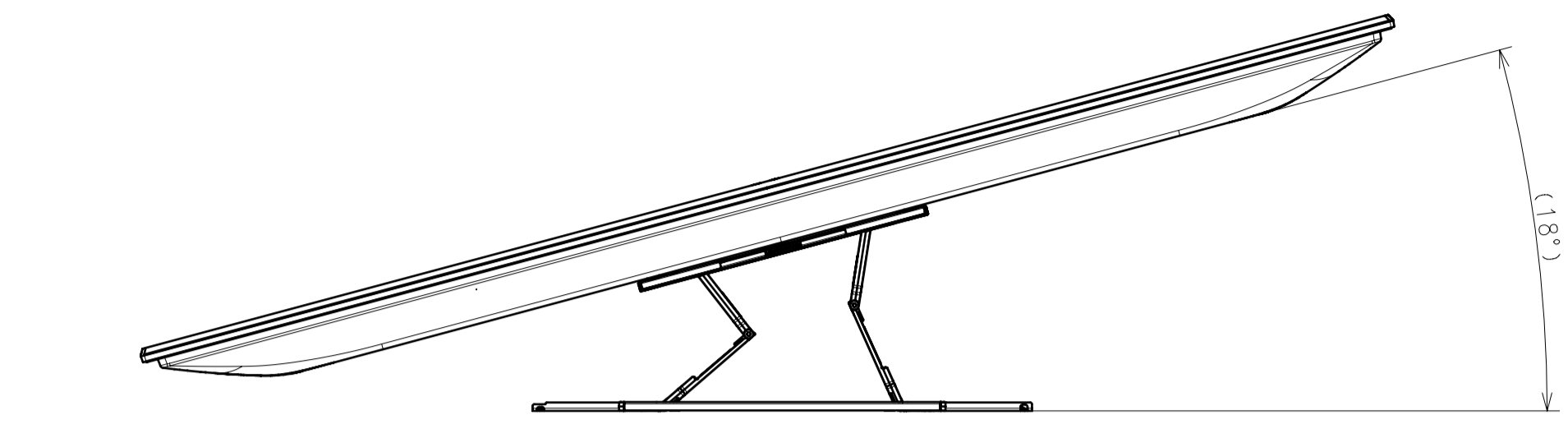
92.8(93:SPEC)  
(3.69/4 Inch:SPEC)

493.7(494:SPEC)  
(19.41/2 Inch:SPEC)

DESCRIPTION 1	LEGAL OWNER	SCALE
65 (EZ20L) EXTERIOR VIEW	Sony Corporation	1:5
DESCRIPTION 2	PART NO.	SHEET/PAGES
65 (EZ20L) EXTERIOR VIEW		3 / 4

SU-WL 850

SU-WL 855 WITH LATERAL SHAFT BRACKET



DESCRIPTION 1	65 (EZ20L) EXTERIOR VIEW	LEGAL OWNER	Sony Corporation	SCALE	1:7
DESCRIPTION 2	65 (EZ20L) EXTERIOR VIEW	PART NO.		SHEET/PAGES	4 / 4