

# Powerdot

□ 935-PD14W

■ 935-PD14

**POWER**  
**dot**

## CONTENT:



x1



x1

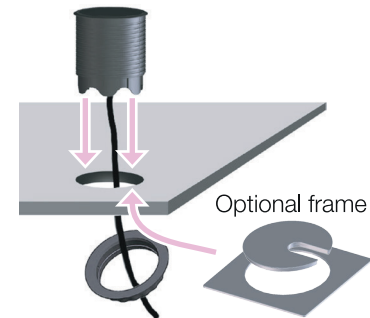


x1

### A DRILL



### B INSERT



**C TURN CLOCKWISE & PLUG IN**  
Turn the plastic fastening nut as far up the thread as possible. Make sure that it has been thoroughly tightened. Lastly, plug the Schuko plug into the wall socket.



**1 CONNECT**  
Connect plug to Powerdot.



**2 RELEASE**  
Rotate counter clockwise.



**3 ADJUST**  
The inner part should now be loose. Adjust to desired level (see next step).

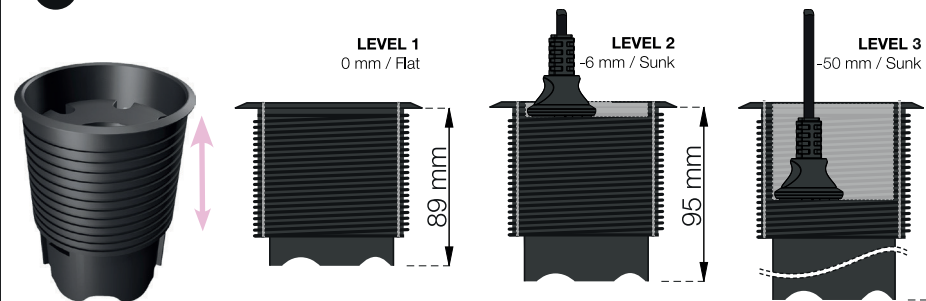


- 2 **USB Charger**  
(5V, 2.4A)

- 1 **feed-throughs**  
(Ø9.5 mm)

- 1 **Schuko socket**  
/w 1250 mm cable

### 4 ADJUST LEVELS



**5a LOCK Level 1 & 2**  
Rotate clockwise.

**5b LOCK Level 3**  
Rotate.

