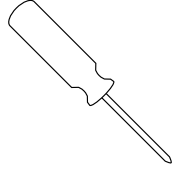


# Touch Interactive Bracket Kits (Small and Large)

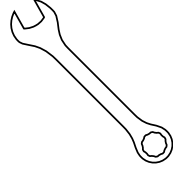
## Small Bracket Installation

**NOTE:** Interactive module terminology may vary from manufacturer to manufacturer.

### Tools Required for Installation

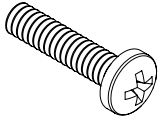


Phillips Screwdriver



1/4" Wrench

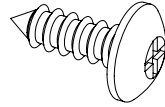
### Required Hardware - Provided



(2) #4 x 1/2" Screws



(2) #4 Nuts



(2) #8 x 1/2" Screws

### Installation

1. Using the provided #4 x 1/2" screws and #4 nuts, attach the touch module base plate to the bracket.  
**NOTE:** Some touch modules will attach to the bracket with magnets. If the touch module allows attachment using hardware or magnets, hardware attachment is recommended.
2. Remove the cover from the touch module. Using the screws provided with the projection system, attach the touch module to the touch module base plate.
3. Position the bracket with touch module along the top of the IDEA Screen or IDEA Panoramic according to the projector manufacturer's instructions. Using the two provided #8 x 1/2" screws, attach the bracket and touch module to the IDEA frame with the touch module facing towards the audience.  
**NOTE:** If the projector instructions do not specify a position, center the bracket relative to the projected image. The flat vertical surface of the touch interactive bracket should be flush to the face of the IDEA frame.
4. Follow manufacturer's instructions for aligning the IR curtain.

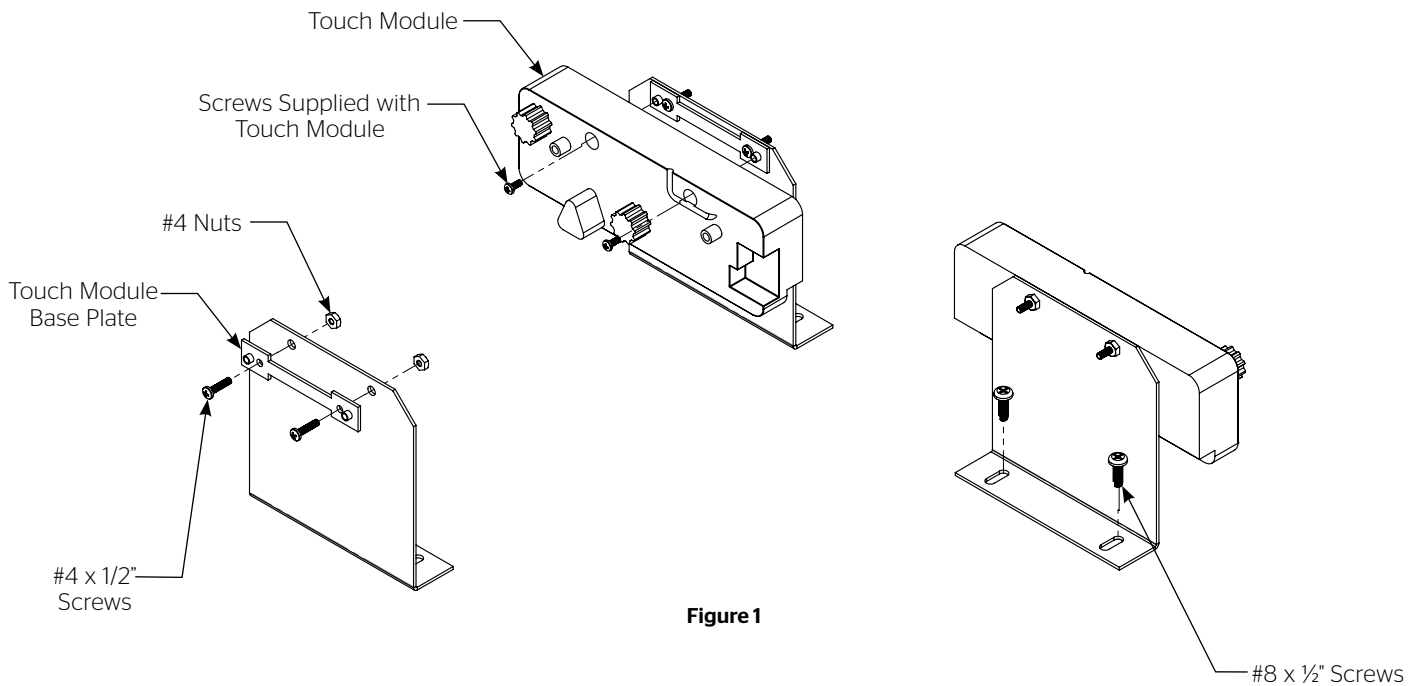
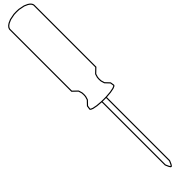


Figure 1

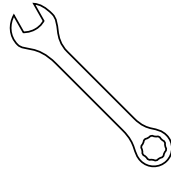
# Large Bracket Installation

**NOTE:** Interactive module terminology may vary from manufacturer to manufacturer.

## Tools Required for Installation

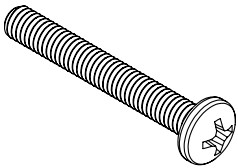


Phillips Screwdriver



7mm Wrench

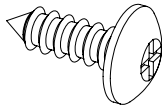
## Required Hardware - Provided



(2) M4 x 30mm  
Screws



(2) M4 Nuts



(2) #8 x 1/2" Screws

## Installation

1. Remove the cover from the touch module. Using the provided M4 x 30mm screws and M4 nuts, attach the touch module to the touch interactive bracket as shown.

**NOTE:** Some touch modules will attach to the bracket with magnets. If the touch module allows attachment using hardware or magnets, hardware attachment is recommended.

2. Position the bracket with touch module along the top of the IDEA Screen or IDEA Panoramic according to the projector manufacturer's instructions. Using the two provided #8 x 1/2" screws, attach the bracket and touch module to the IDEA frame with the touch module facing towards the audience.

**NOTE:** If the projector instructions do not specify a position, center the bracket relative to the projected image. The flat vertical surface of the touch interactive bracket should be flush to the face of the IDEA frame.

3. Follow manufacturer's instructions for aligning the IR curtain.

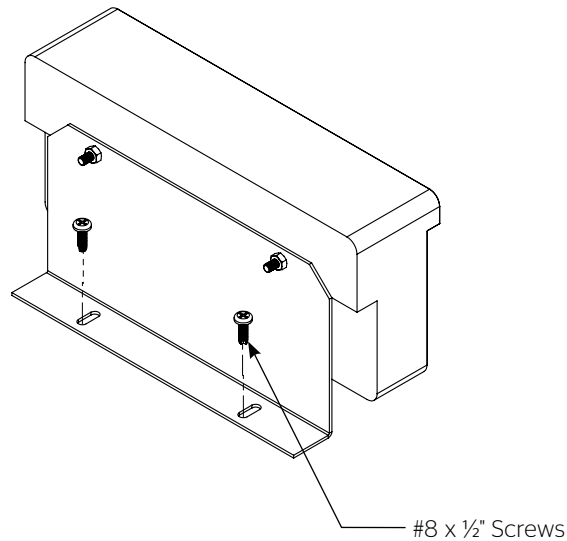
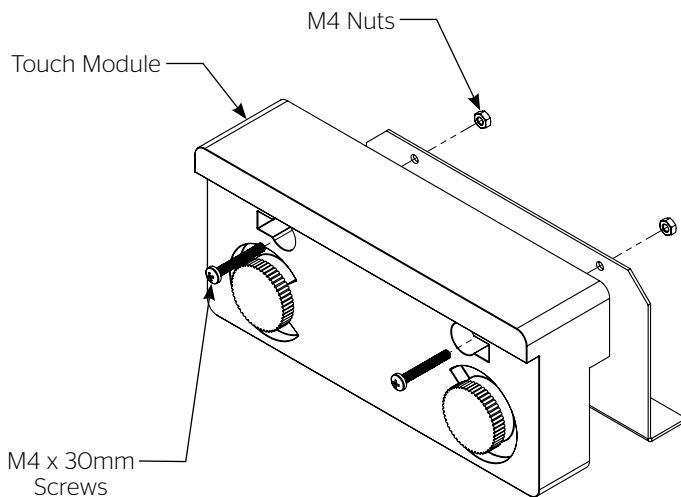


Figure 2



A BRAND OF MILESTONE AV TECHNOLOGIES | [www.milestone.com](http://www.milestone.com)

P 800.622.3737 / 574.267.8101 F 877.325.4832 / 574.267.804

E [info@da-lite.com](mailto:info@da-lite.com)

In British Columbia, Milestone AV Technologies ULC carries on business as MAVT Milestone AV Technologies ULC.

©2017 Milestone AV Technologies. DL-0712 (Rev. 2) 0617.

Da-Lite is a registered trademark of Milestone AV Technologies. All other brand names or marks are used for identification purposes and are trademarks of their respective owners. All patents are protected under existing designations. Other patents pending.