



WIRING DIAGRAMS

31 October 2024

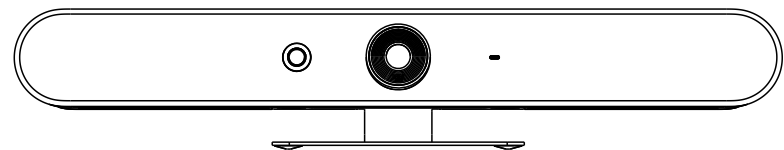
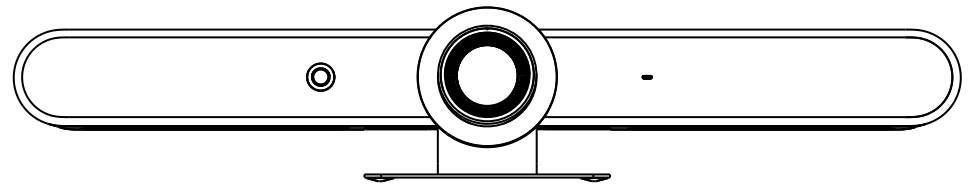
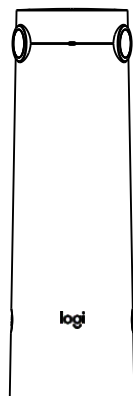
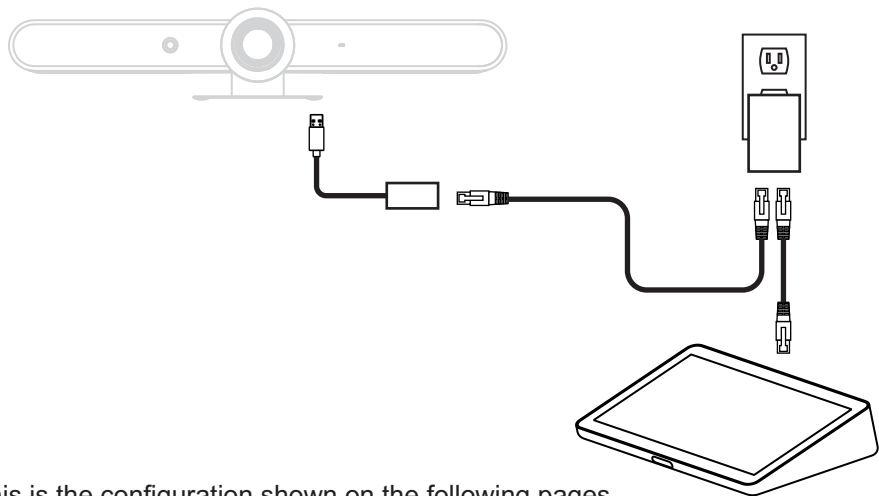


TABLE OF CONTENTS

<u>Mic Pod CAT Coupler</u>	4
<u>Rally Bar/Rally Bar Mini Android Mode</u>	6
<u>Rally Bar/Rally Bar Mini BYOD Mode</u>	14
<u>Rally Bar/Rally Bar Mini PC Mode</u>	19
<u>Touch Screens with Microsoft Teams on Android</u>	25
<u>Rally Bar, Mini, Huddle and RoomMate with Touch Screens</u>	30
<u>Rally/Rally Plus</u>	35
<u>SWYTCH</u>	40
<u>RoomMate</u>	50
<u>Scribe</u>	58
<u>Sight</u>	62
<u>Rally Bar Huddle Android Mode</u>	76
<u>Rally Bar Huddle BYOD Mode</u>	79
<u>Rally Bar Huddle in PC Mode</u>	81
<u>MeetUp 2</u>	83
<u>Extend</u>	88

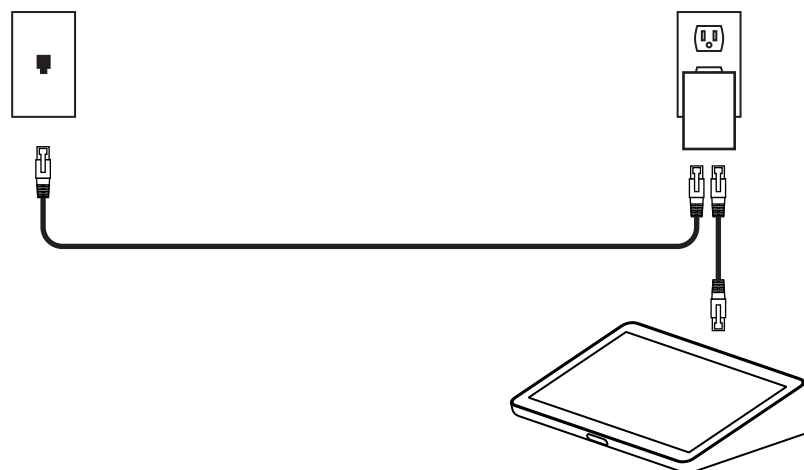
Wiring configurations for Tap and Tap IP: The wiring diagrams on the following pages are shown with Tap but most configurations can be substituted with Tap IP using one of the below connection methods.

Tap
USB connection*

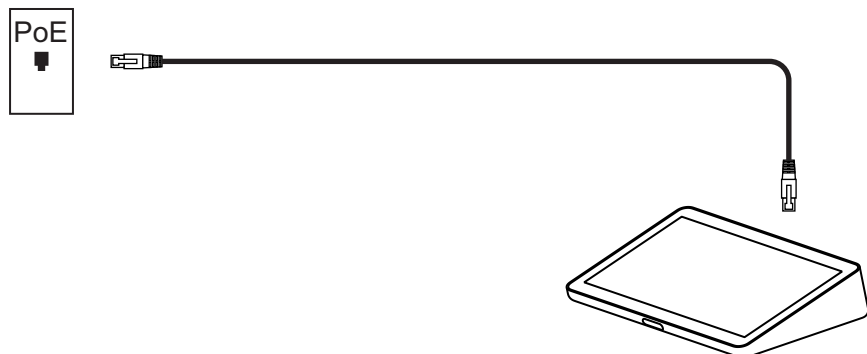


*This is the configuration shown on the following pages

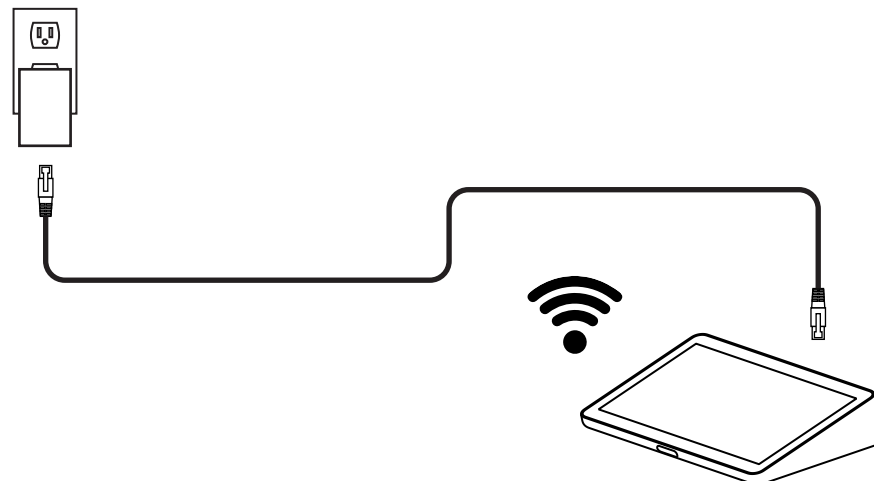
Tap IP
LAN + PoE injector (available for purchase seperately)



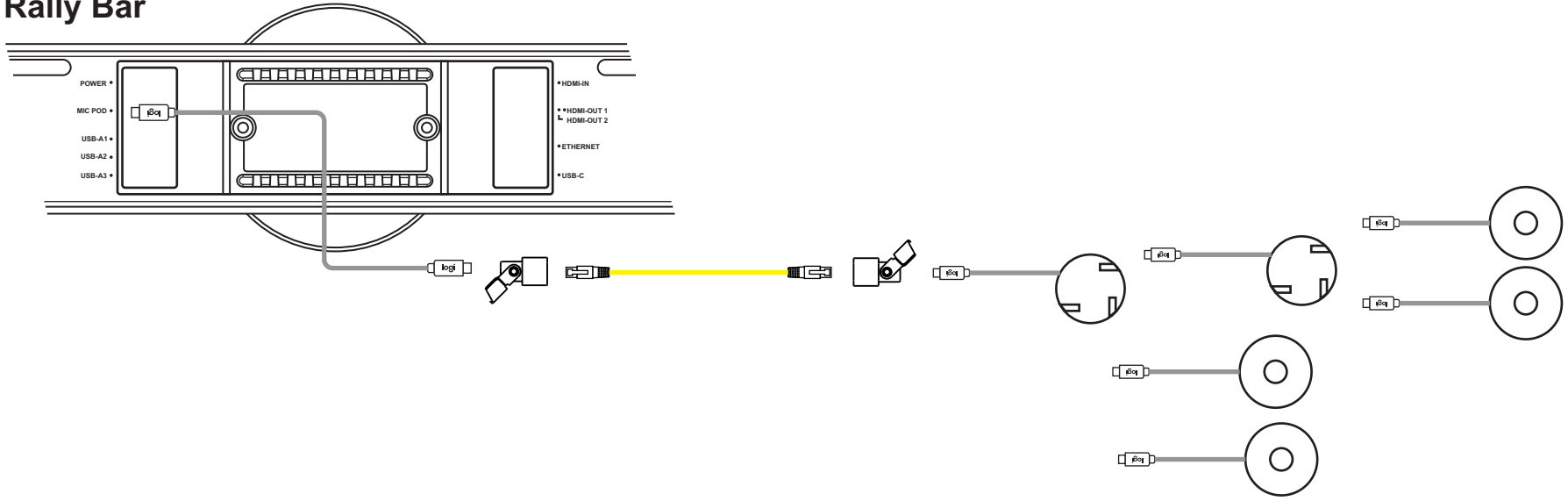
Tap IP
PoE enabled network



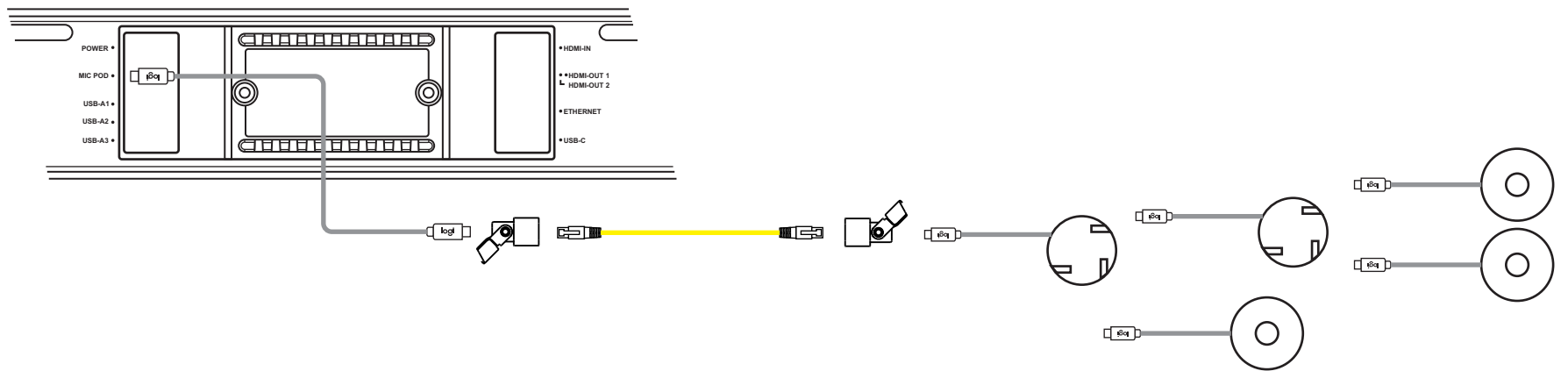
Tap IP
WLAN + PoE injector (available for purchase seperately)



Rally Bar



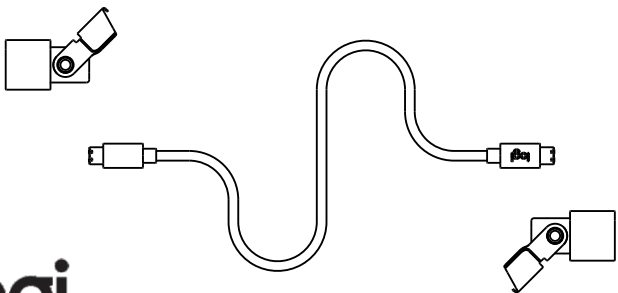
Rally Bar Mini



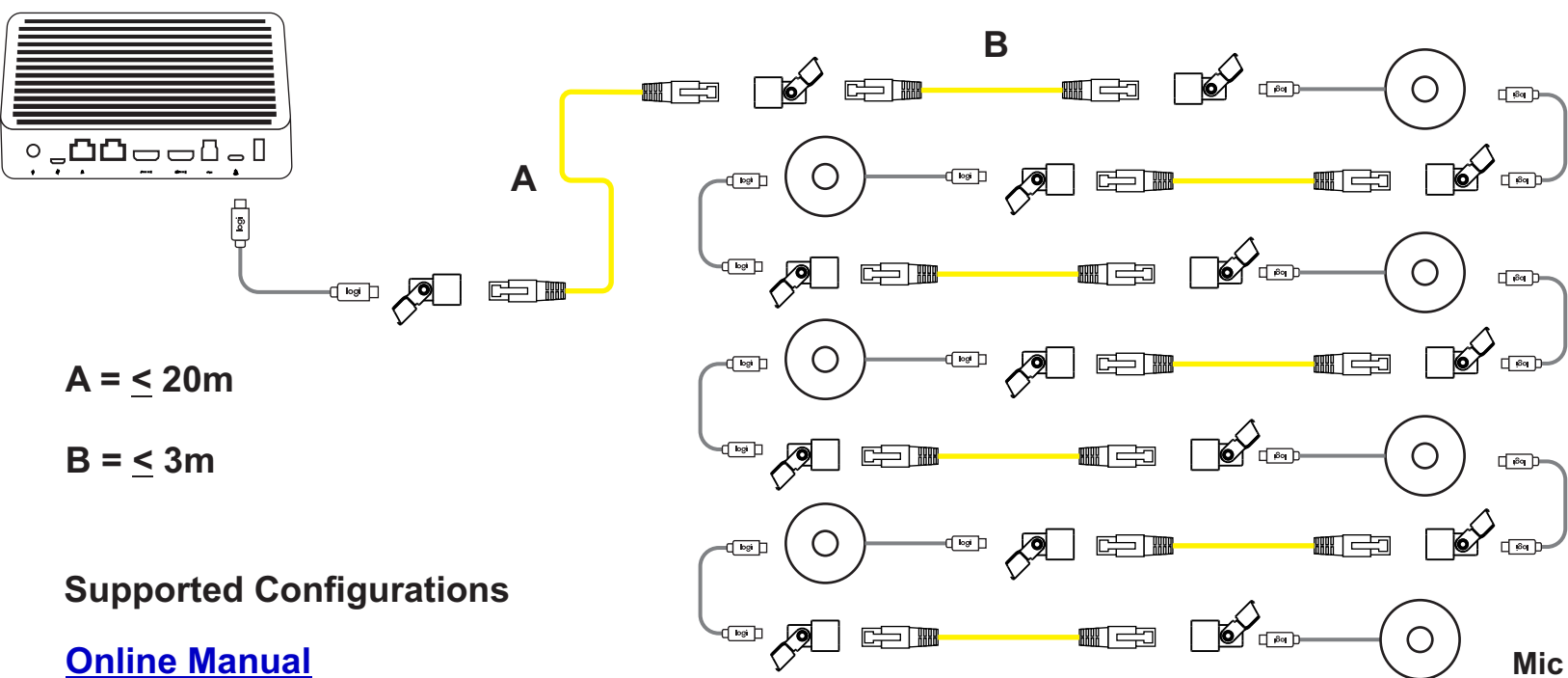
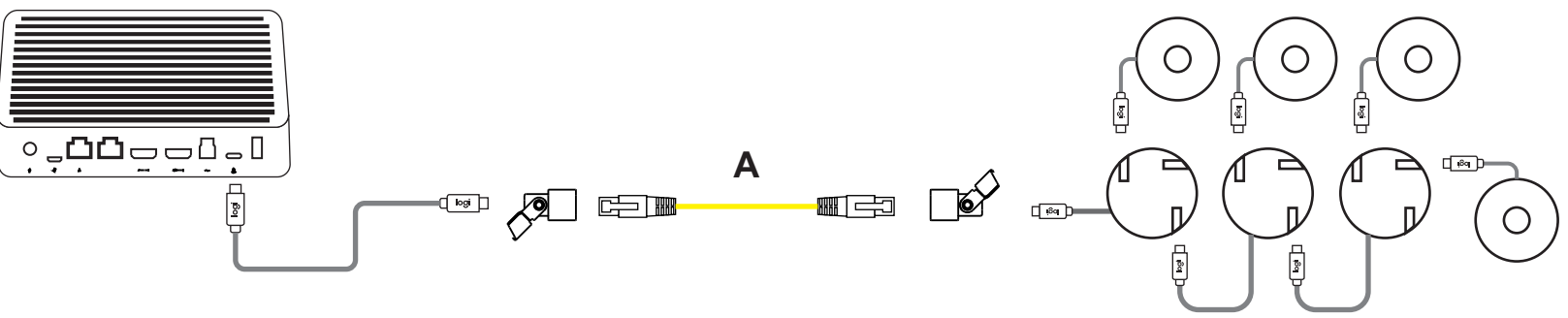
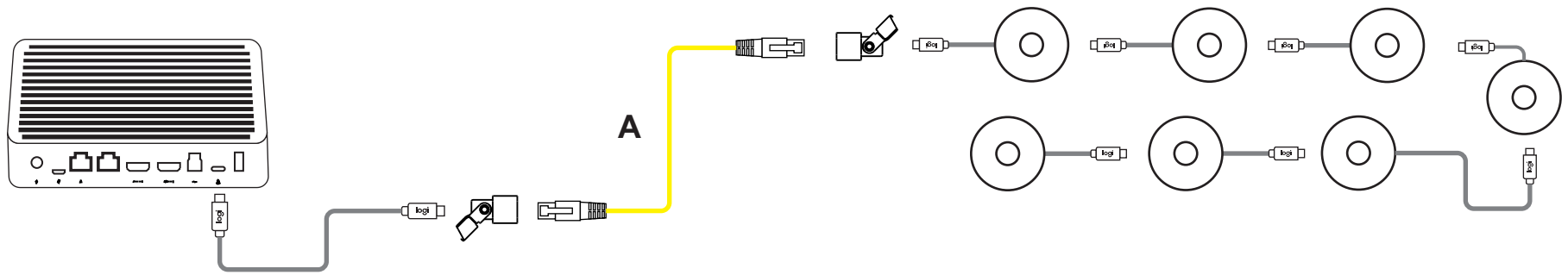
CAT cable ≤ 20m

Supported Configurations

[Online Manual](#)



Mic Pod CAT Coupler
Rally Bar / Rally Bar Mini



A = ≤ 20m

B = ≤ 3m

Supported Configurations

[Online Manual](#)

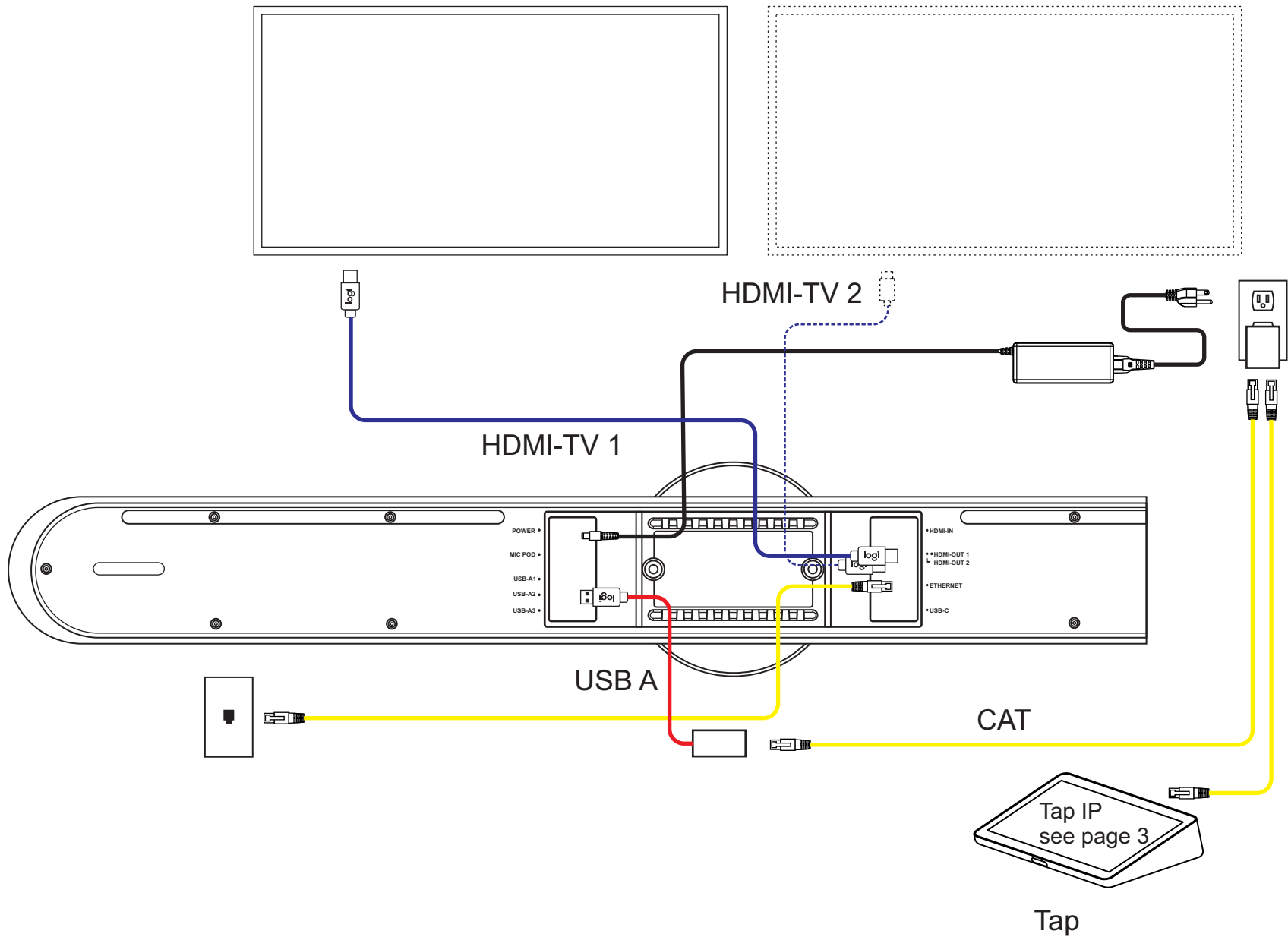


**Mic Pod CAT Coupler
Rally / Rally Plus
Maximum 7 Mic Pods and/or Mic Pod Hubs**

RALLY BAR & RALLY BAR MINI IN ANDROID MODE

[Table of Contents](#)

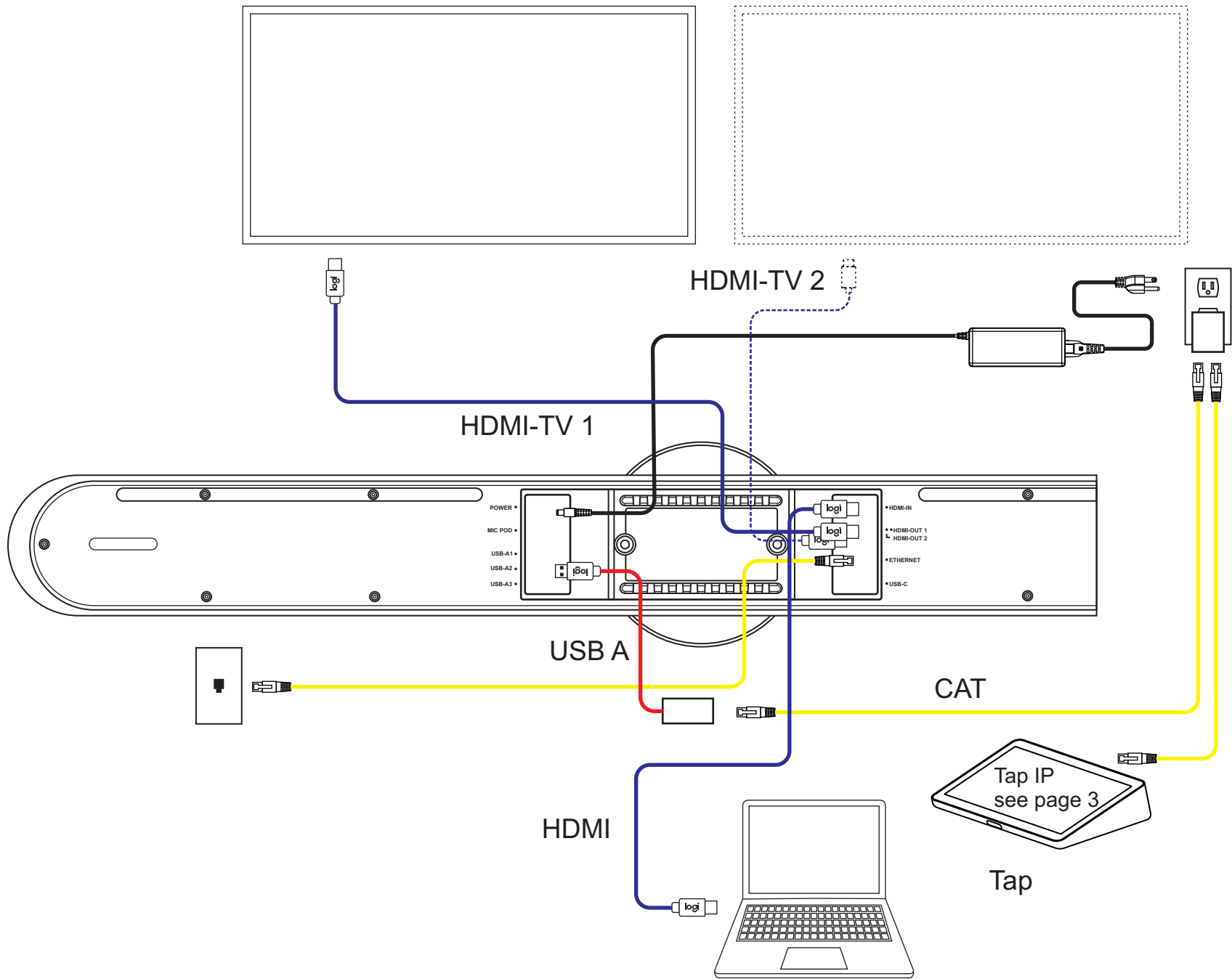




- CAT ■
- USB ■
- HDMI ■



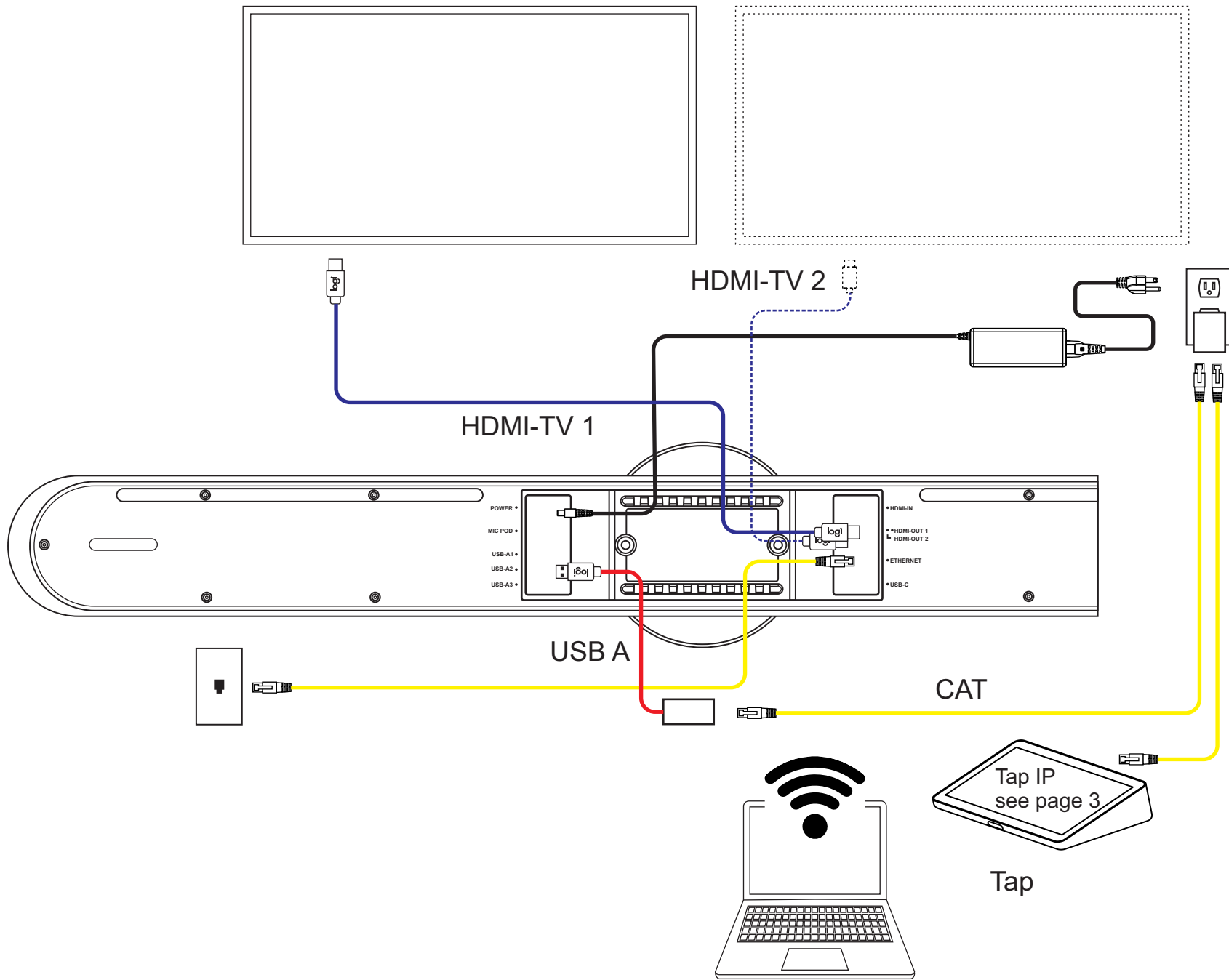
Rally Bar / Rally Bar Mini
Android Mode: Default configuration



- CAT ■
- USB ■
- HDMI ■



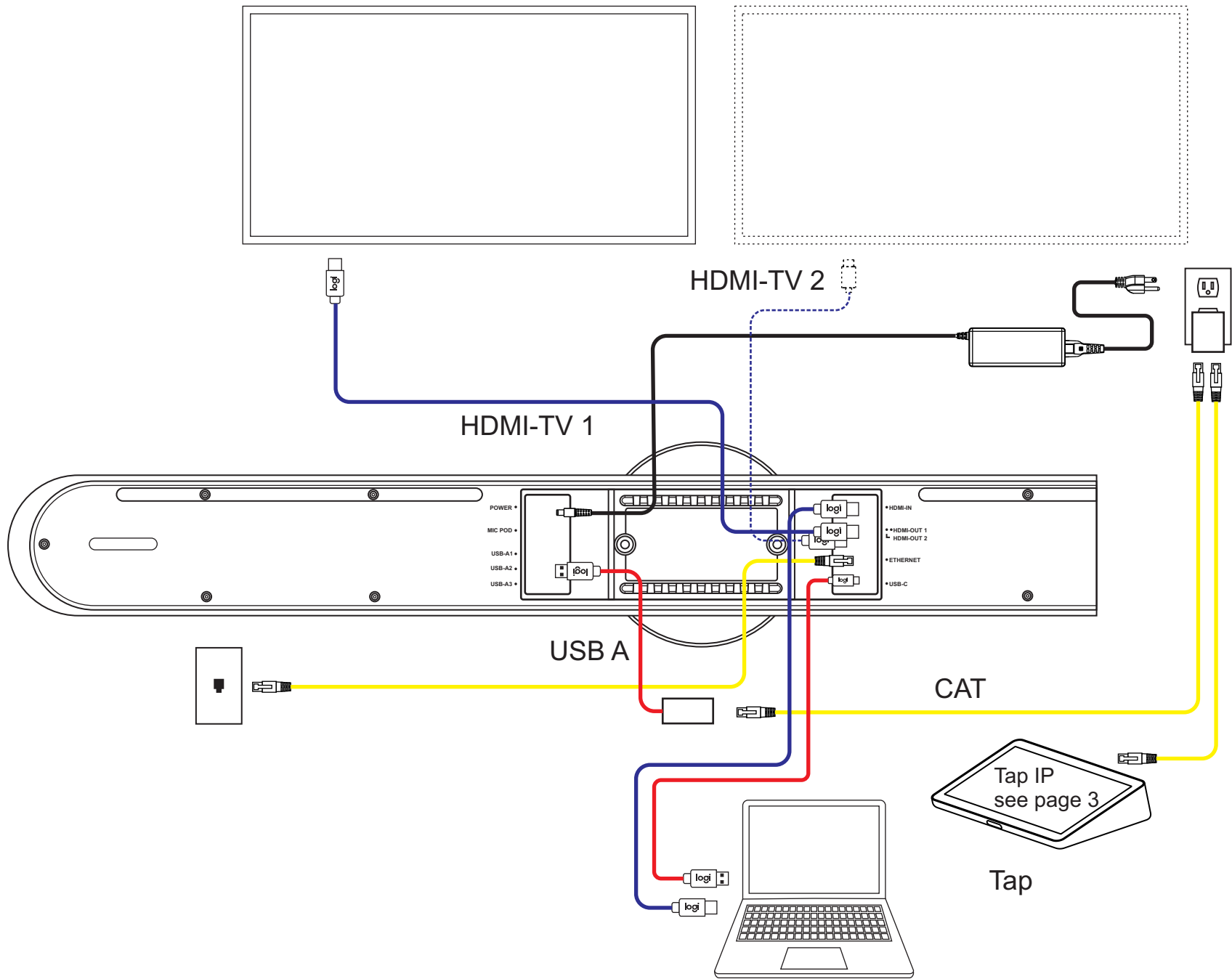
Rally Bar / Rally Bar Mini
Android Mode: Wired screen share (VC application dependent)



- CAT ■
- USB ■
- HDMI ■



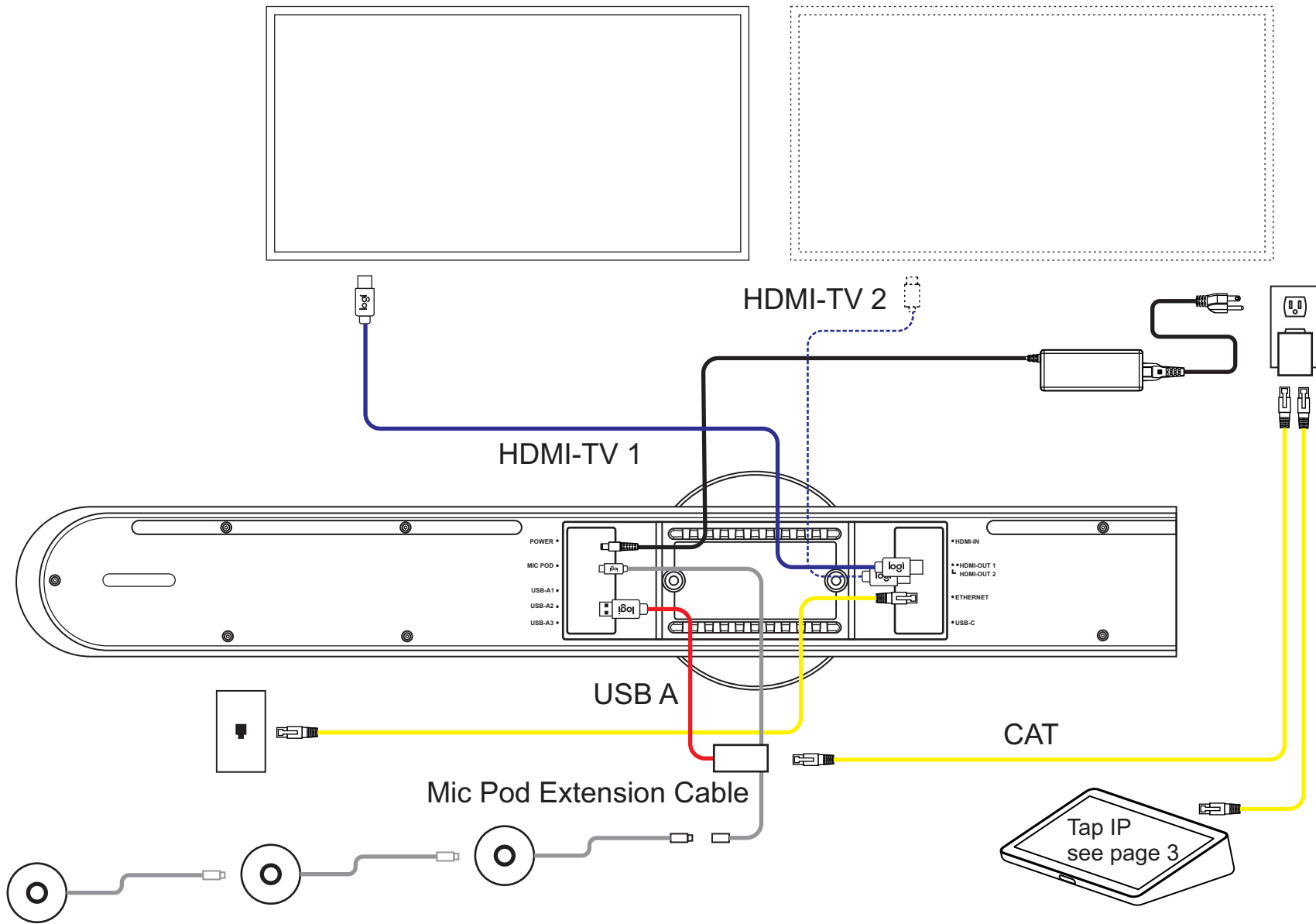
Rally Bar / Rally Bar Mini
Android Mode: Wireless screen share through VC application



- CAT ■
- USB ■
- HDMI ■



Rally Bar / Rally Bar Mini
Android Mode: Temporary switch to USB mode

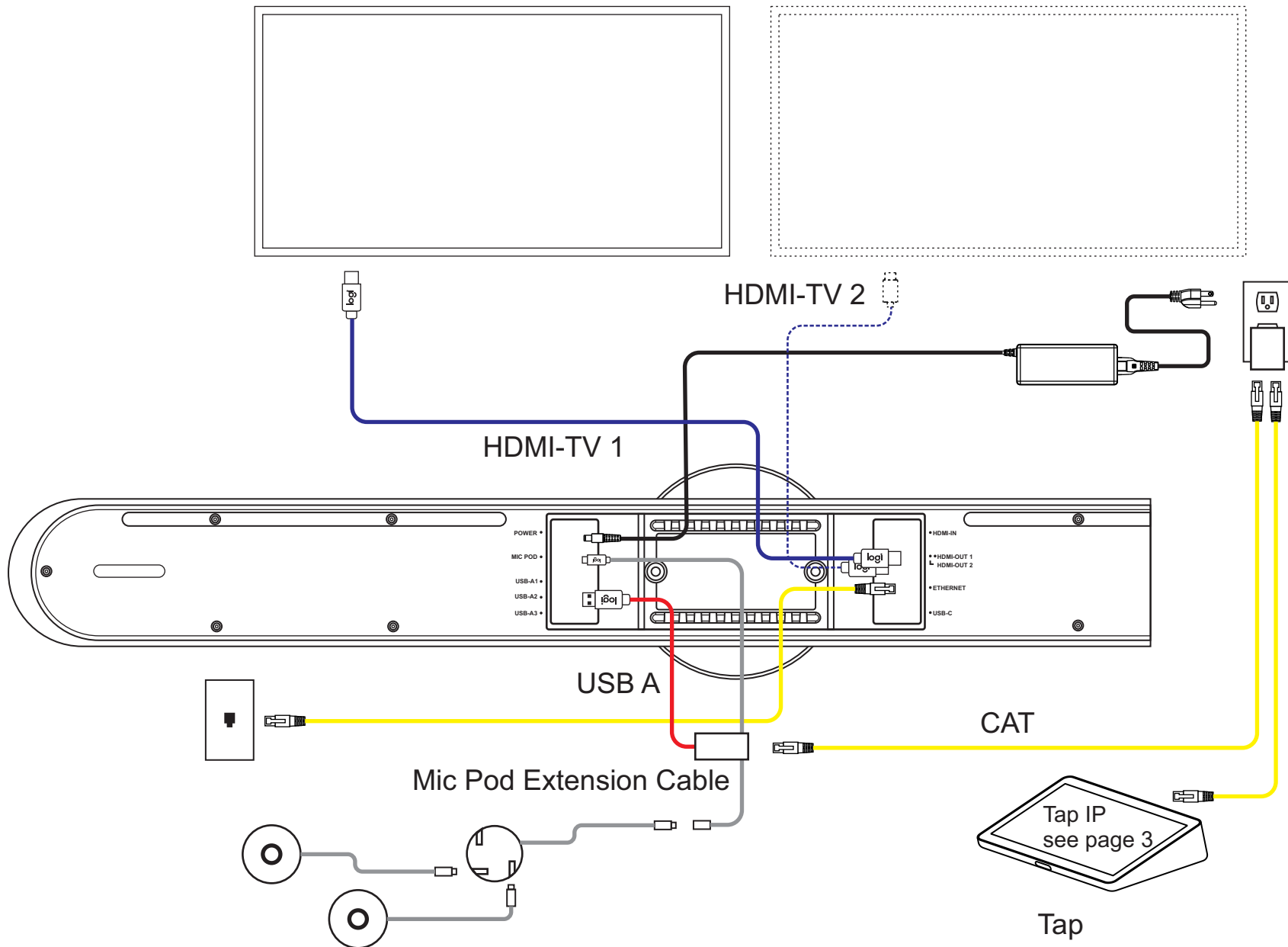


- CAT ■
- USB ■
- HDMI ■
- MIC ■



**Rally Bar / Rally Bar Mini
Android Mode**

Rally Bar max 4 Mic Pods; Rally Bar Mini max 3 Mic Pods

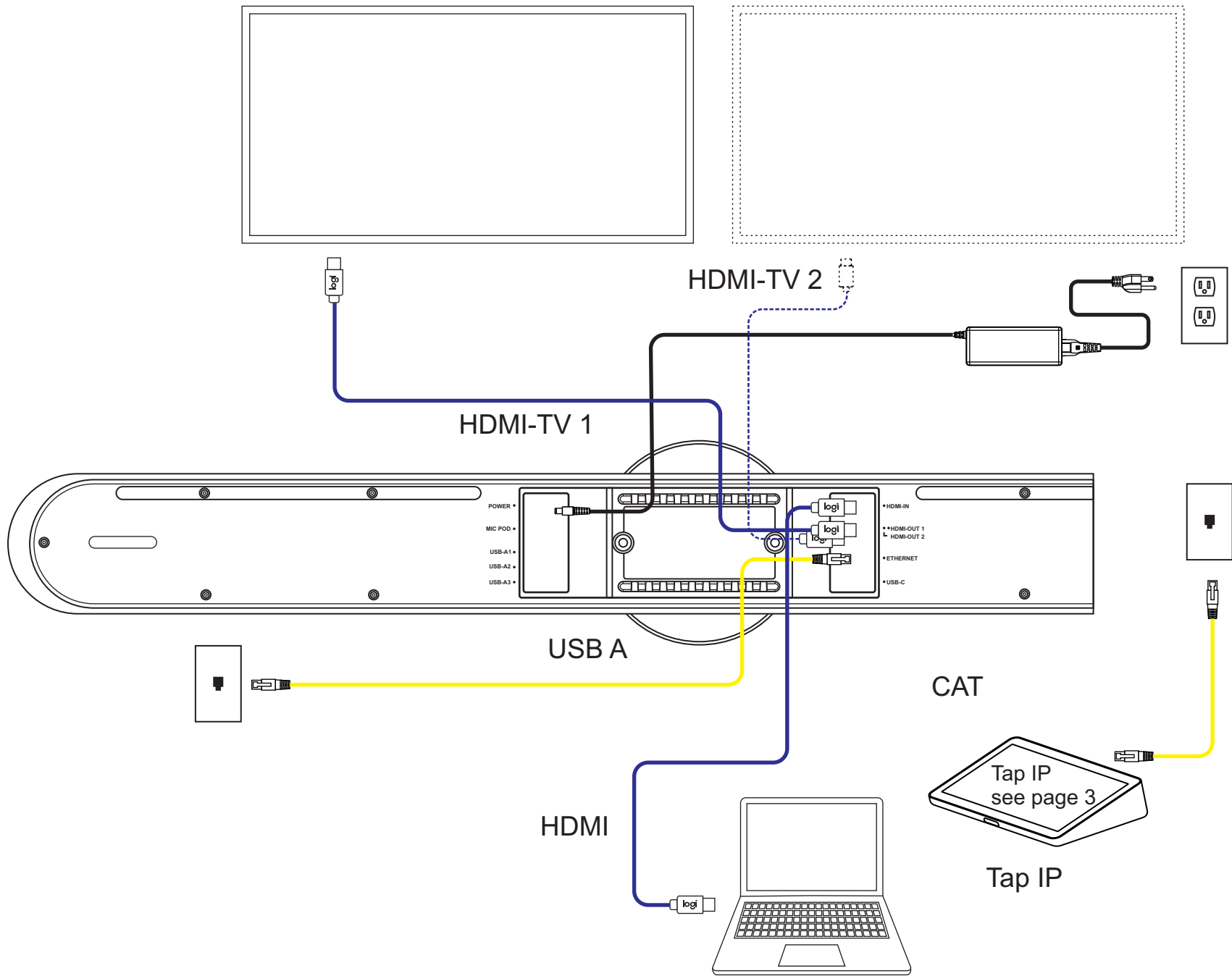


- CAT ■
- USB ■
- HDMI ■
- MIC ■



**Rally Bar / Rally Bar Mini
Android Mode:**

Rally Bar max 4 Mic Pods + 2 Mic Pod Hubs /Rally Bar Mini max 3 Mic Pods + 2 Mic Pod Hubs



- CAT ■
- USB ■
- HDMI ■

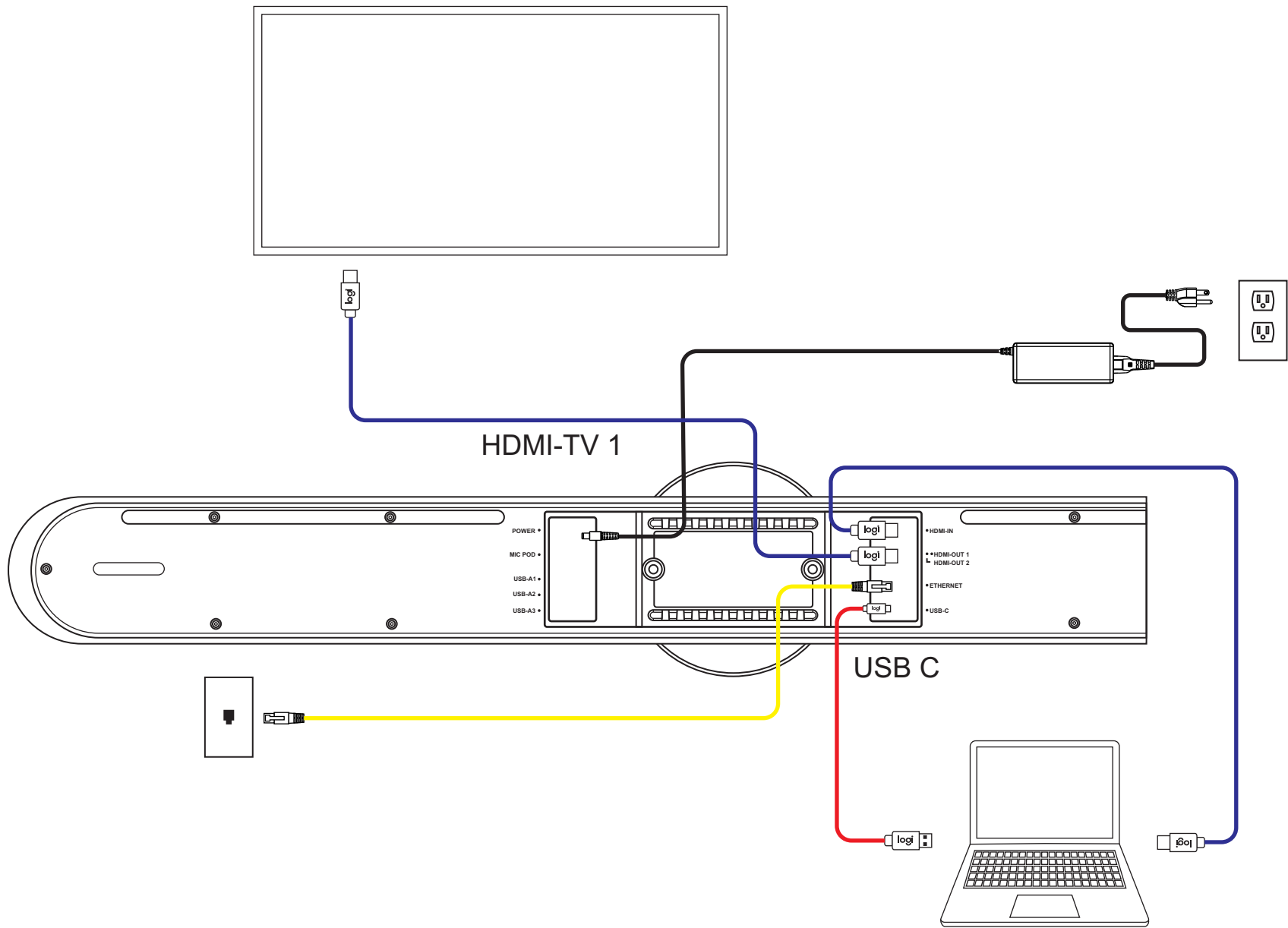


Rally Bar / Rally Bar Mini
Android Mode: Wired screen share (VC application dependent)

RALLY BAR & RALLY BAR MINI IN BYOD MODE

[Table of Contents](#)

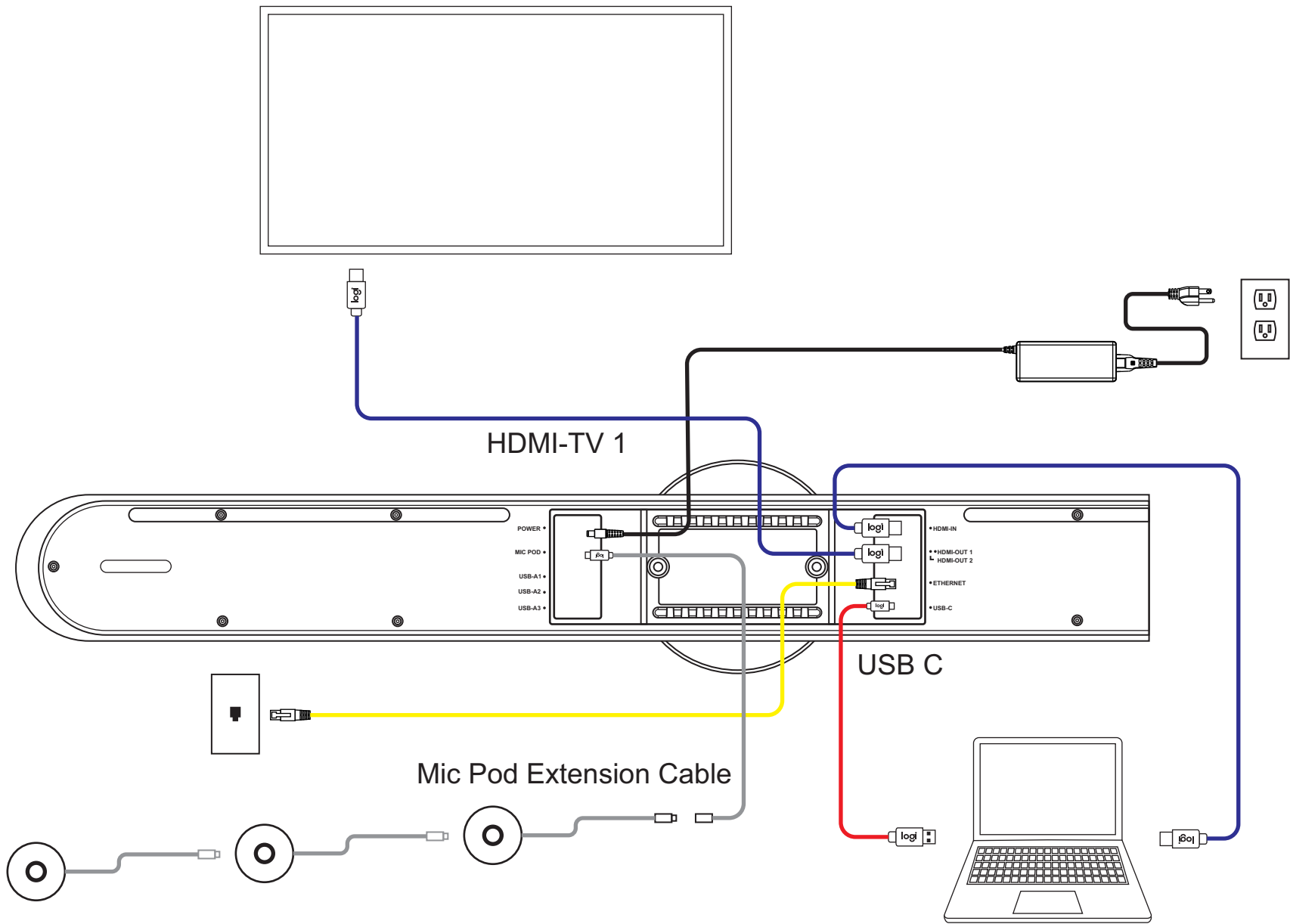




- CAT ■
- USB ■
- HDMI ■



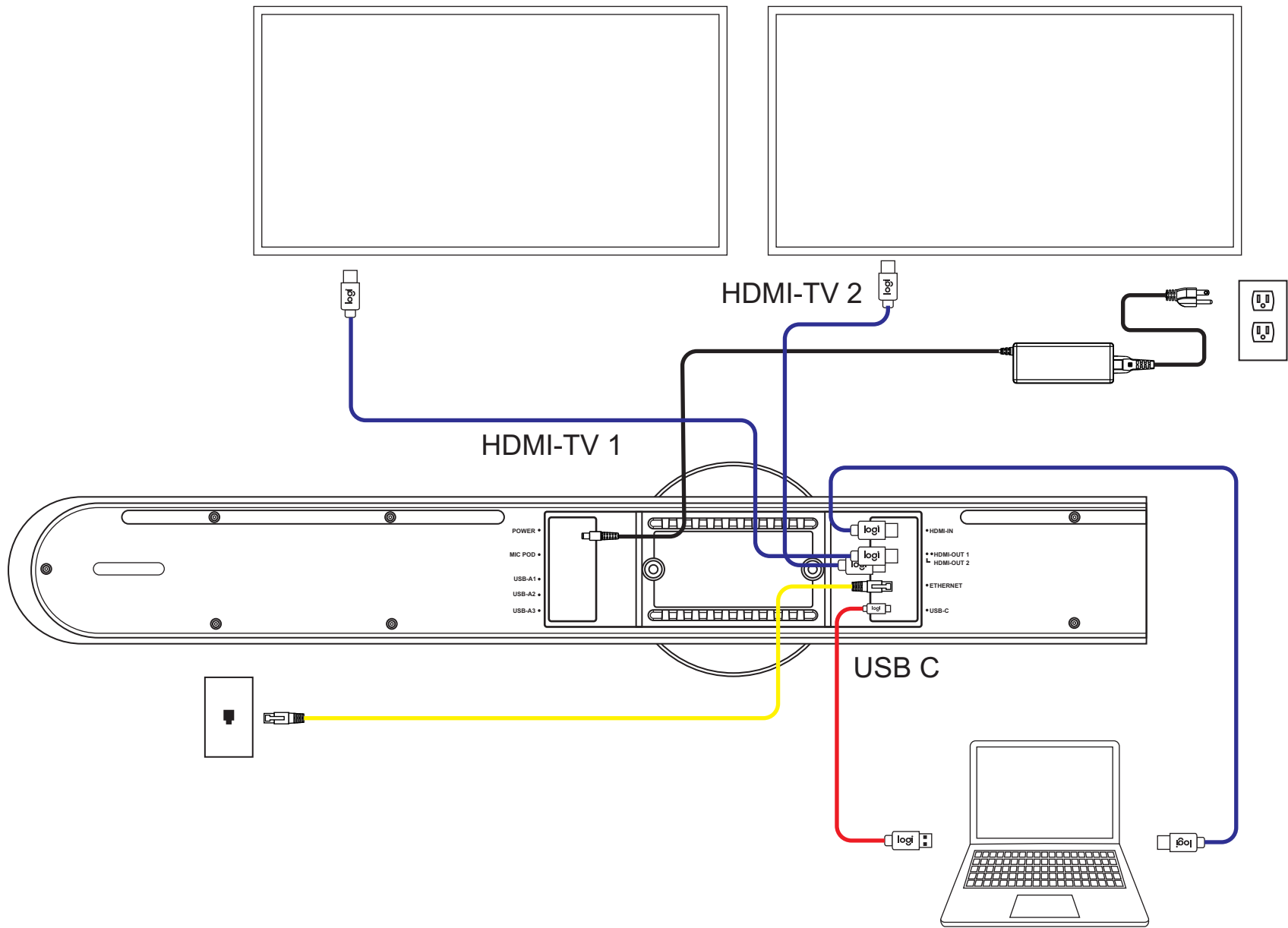
**Rally Bar / Rally Bar Mini
BYOD Mode: Default configuration**



- CAT ■
- USB ■
- HDMI ■
- MIC ■



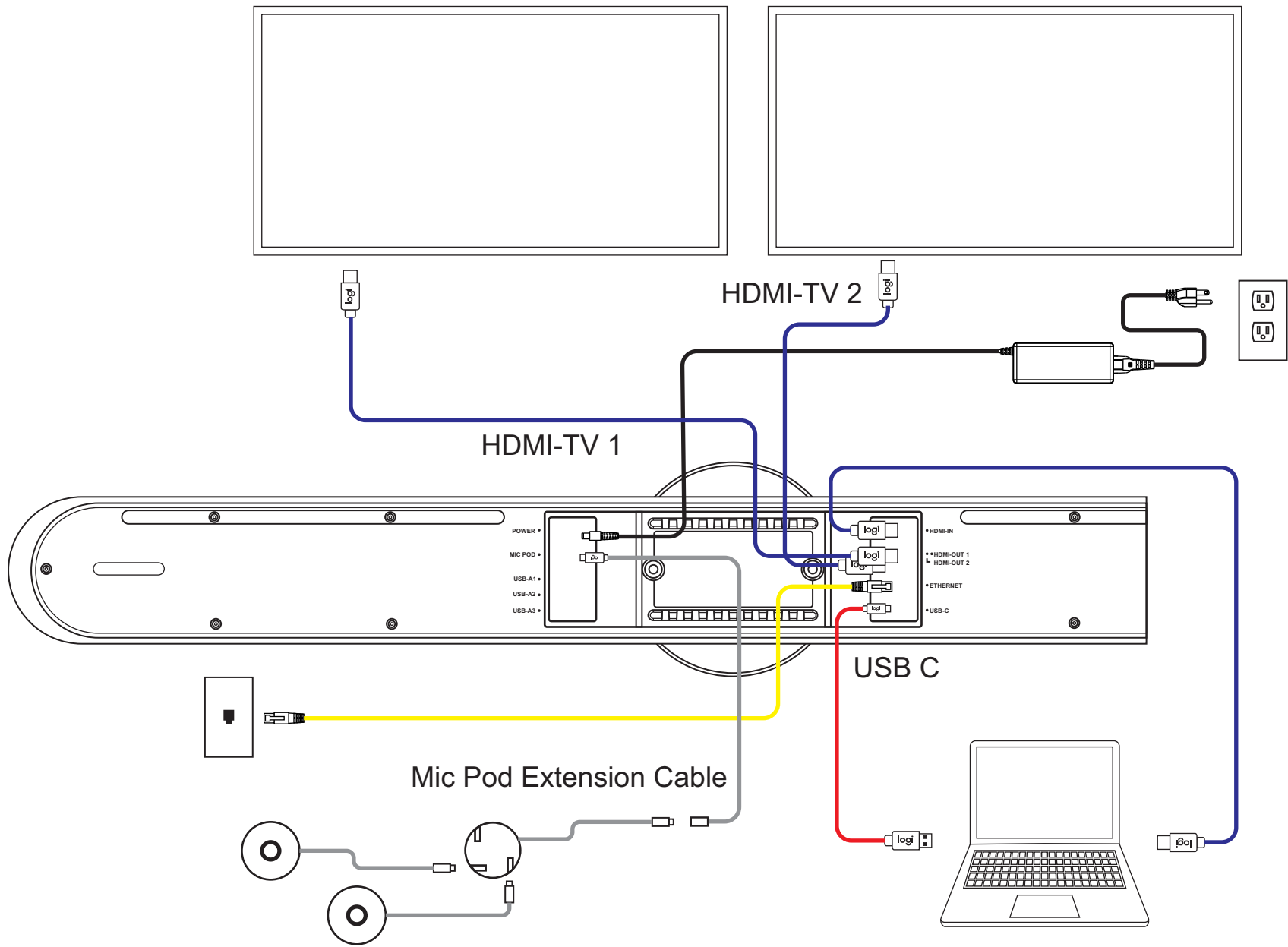
Rally Bar / Rally Bar Mini
BYOD Mode: Rally Bar up to 4 Mic Pods
Rally Bar Mini up to 3 Mic Pods



CAT ■
 USB ■
 HDMI ■



Rally Bar / Rally Bar Mini
BYOD Mode: Dual screens - screens are duplicated



- CAT ■
- USB ■
- HDMI ■
- MIC ■

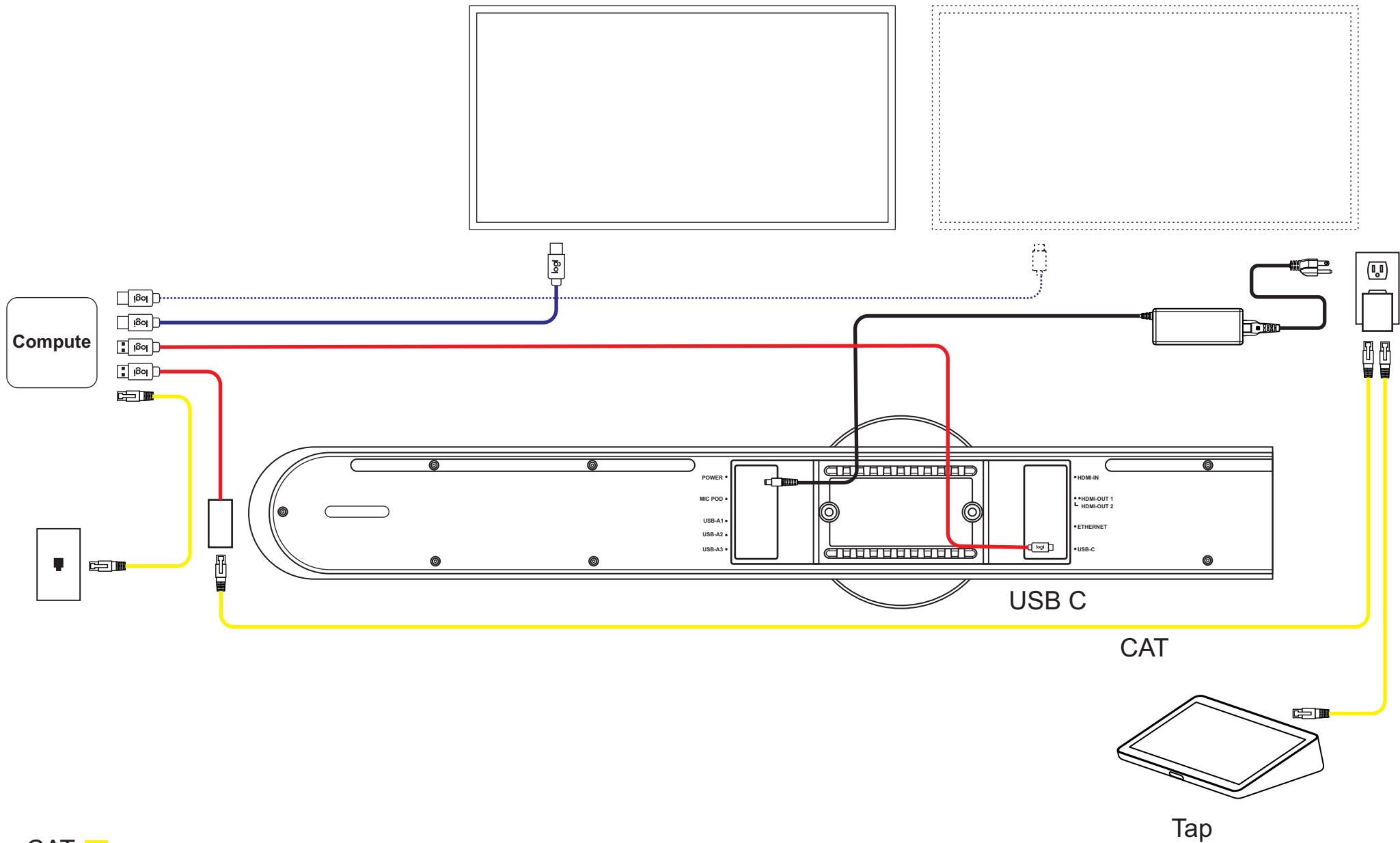


Rally Bar / Rally Bar Mini
BYOD Mode: Rally Bar max 4 Mic Pods + 2 Mic Pod Hubs /Rally Bar Mini max 3 Mic Pods + 2 Mic Pod Hubs

RALLY BAR & RALLY BAR MINI IN PC MODE

[Table of Contents](#)

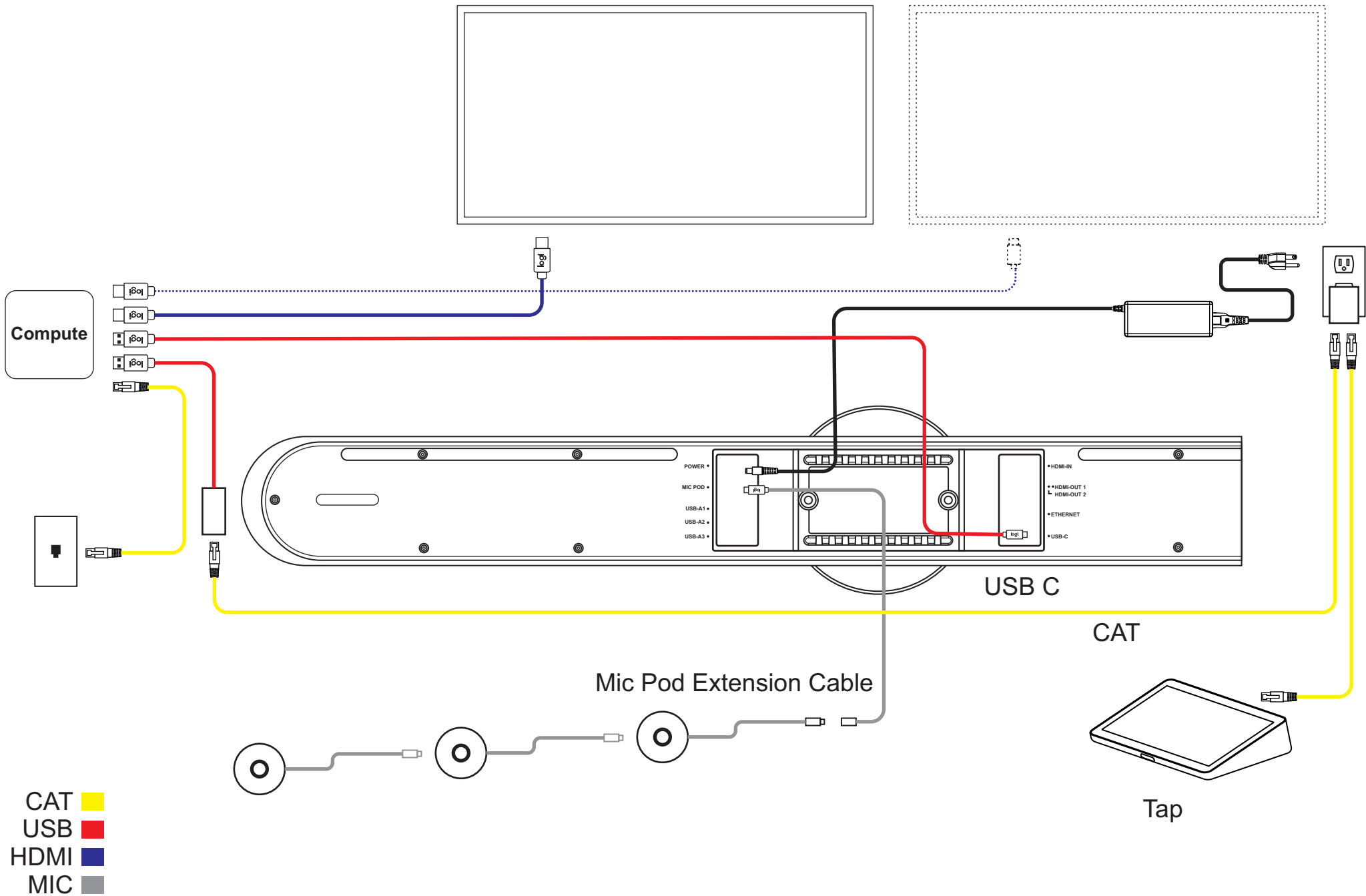




- CAT ■
- USB ■
- HDMI ■



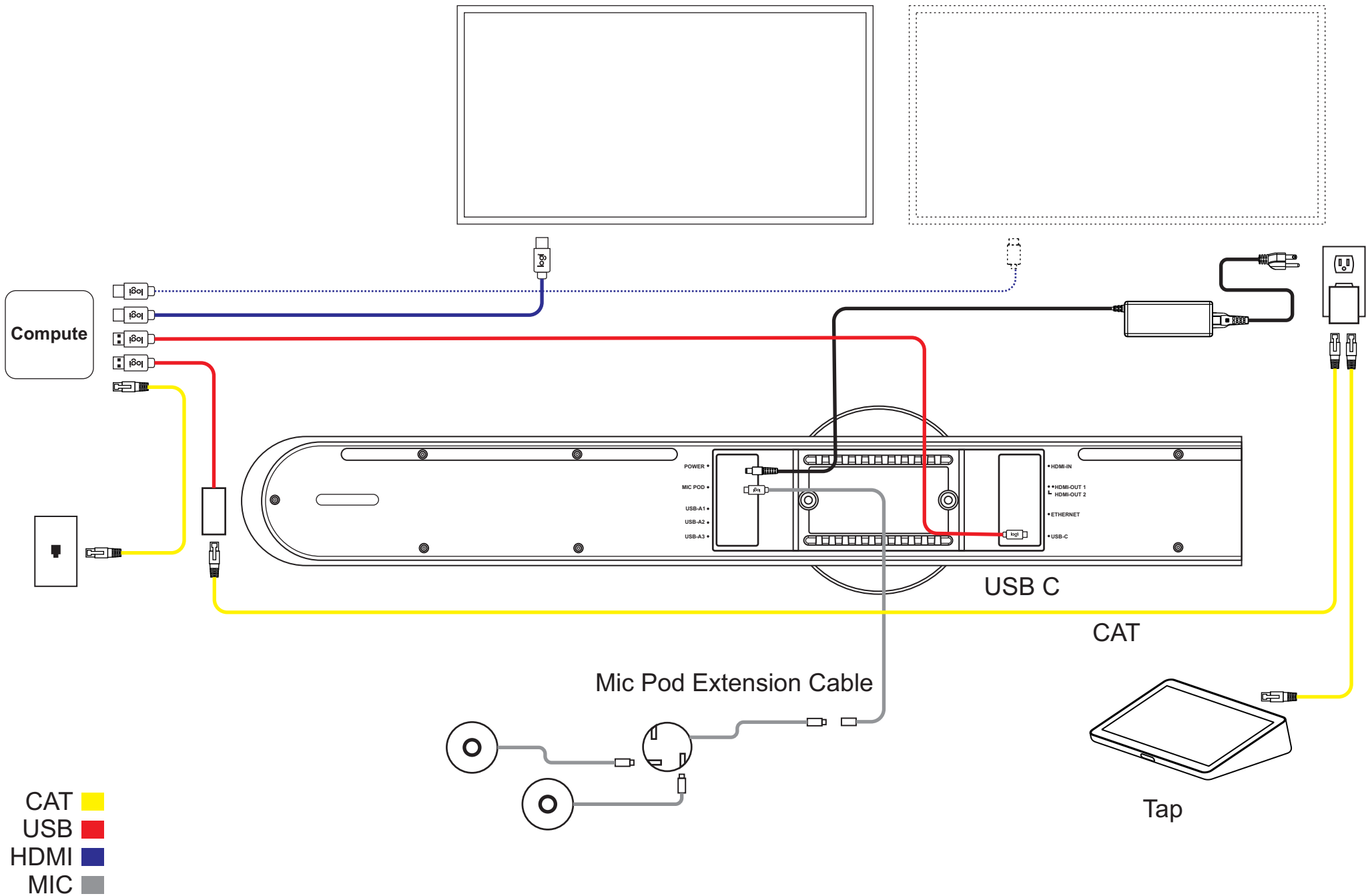
Rally Bar / Rally Bar Mini
PC Mode: Default configuration



- CAT ■
- USB ■
- HDMI ■
- MIC ■



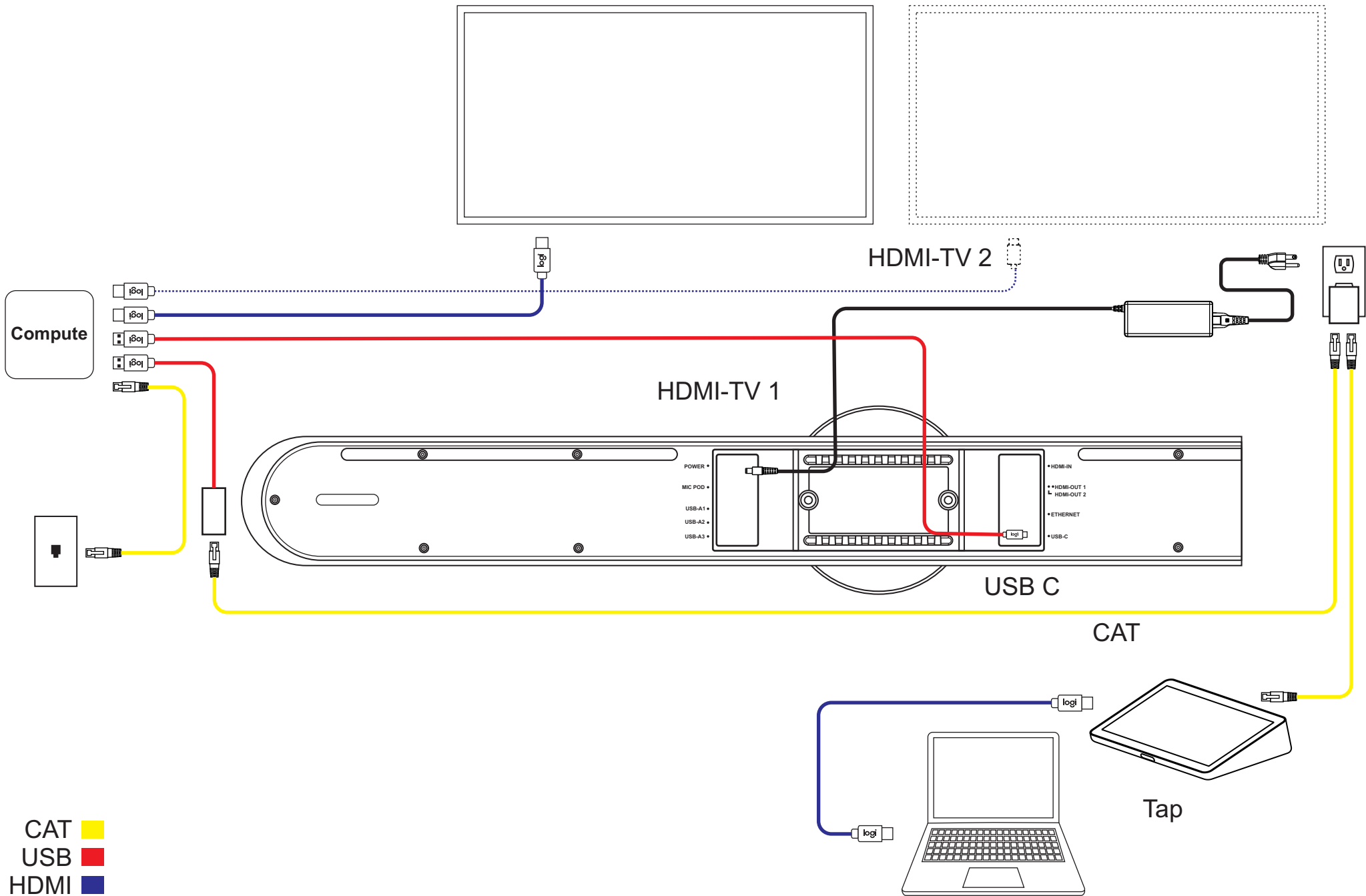
Rally Bar / Rally Bar Mini
PC Mode: Rally Bar up to 4 mic pods
Rally Bar Mini up to 3 mic pods



- CAT ■
- USB ■
- HDMI ■
- MIC ■



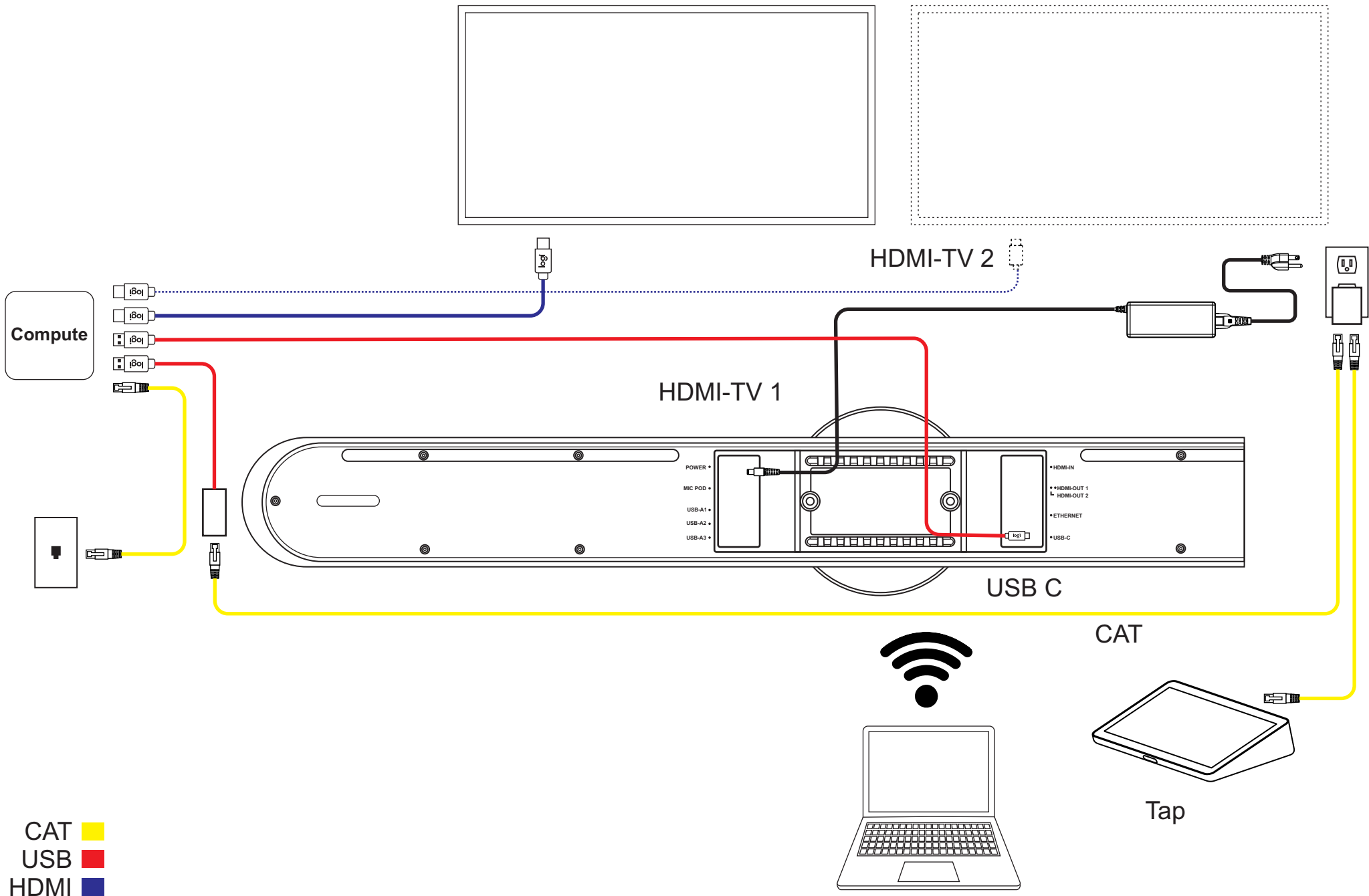
Rally Bar / Rally Bar Mini
PC Mode: Rally Bar max 4 Mic Pods + 2 Mic Pod Hubs /Rally Bar Mini max 3 Mic Pods + 2 Mic Pod Hubs



- CAT ■
- USB ■
- HDMI ■



Rally Bar / Rally Bar Mini
PC Mode: Wired screen share (VC application dependent)



- CAT ■
- USB ■
- HDMI ■

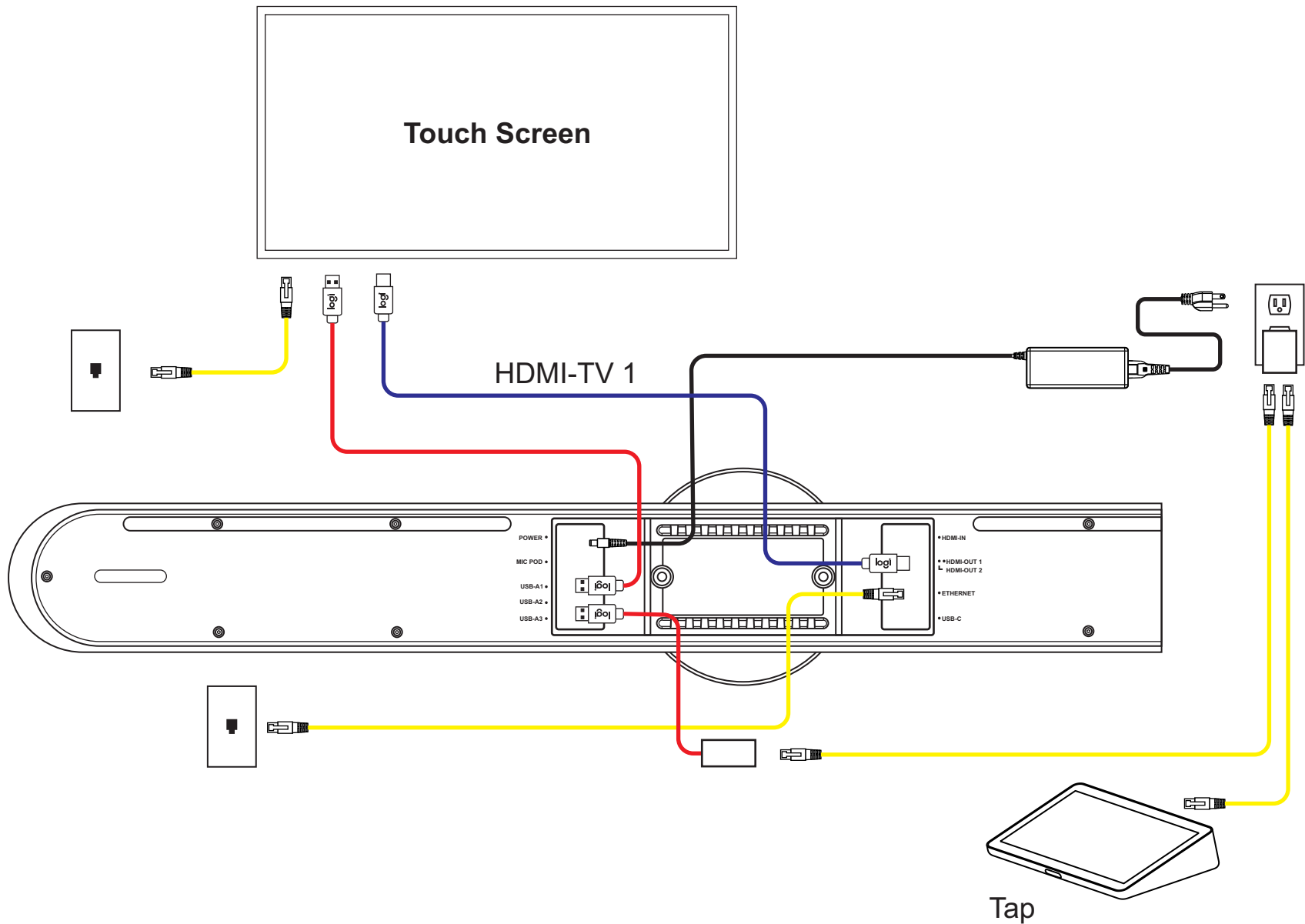


Rally Bar / Rally Bar Mini
PC Mode: Wireless screen share through VC application (VC application dependent)

RALLY BAR, RALLY BAR MINI, & ROOMMATE: TEAMS ON ANDROID WITH INTERACTIVE TOUCH SCREENS

[Table of Contents](#)

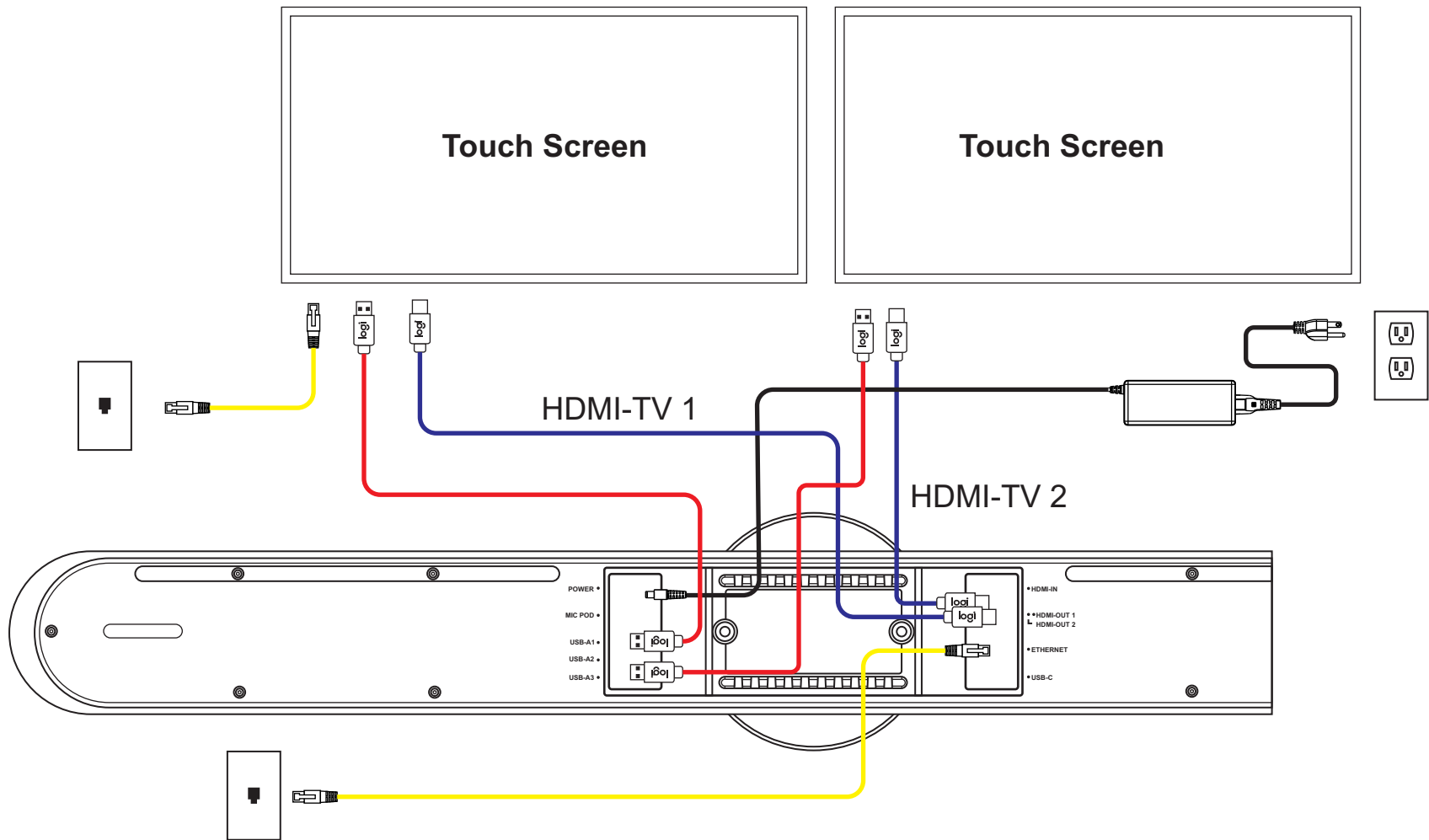




- CAT ■
- USB ■
- HDMI ■



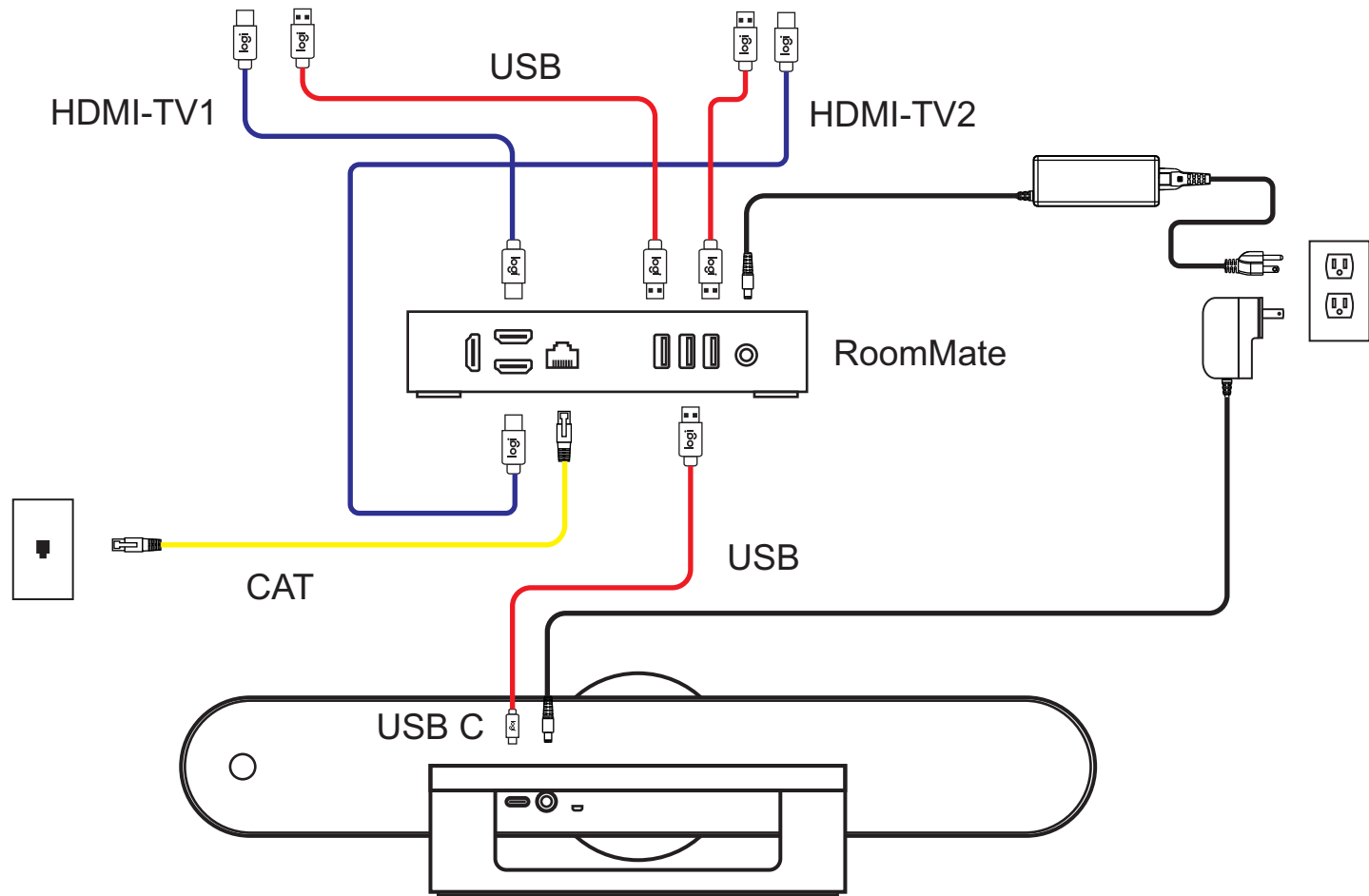
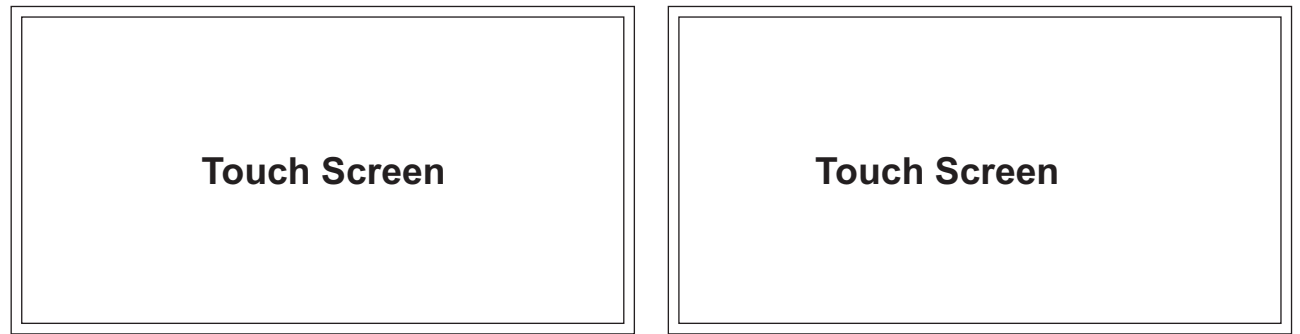
Rally Bar / Rally Bar Mini
Teams on Android: Touch screen
CollabOS 1.12 or later
Tap



- CAT ■
- USB ■
- HDMI ■



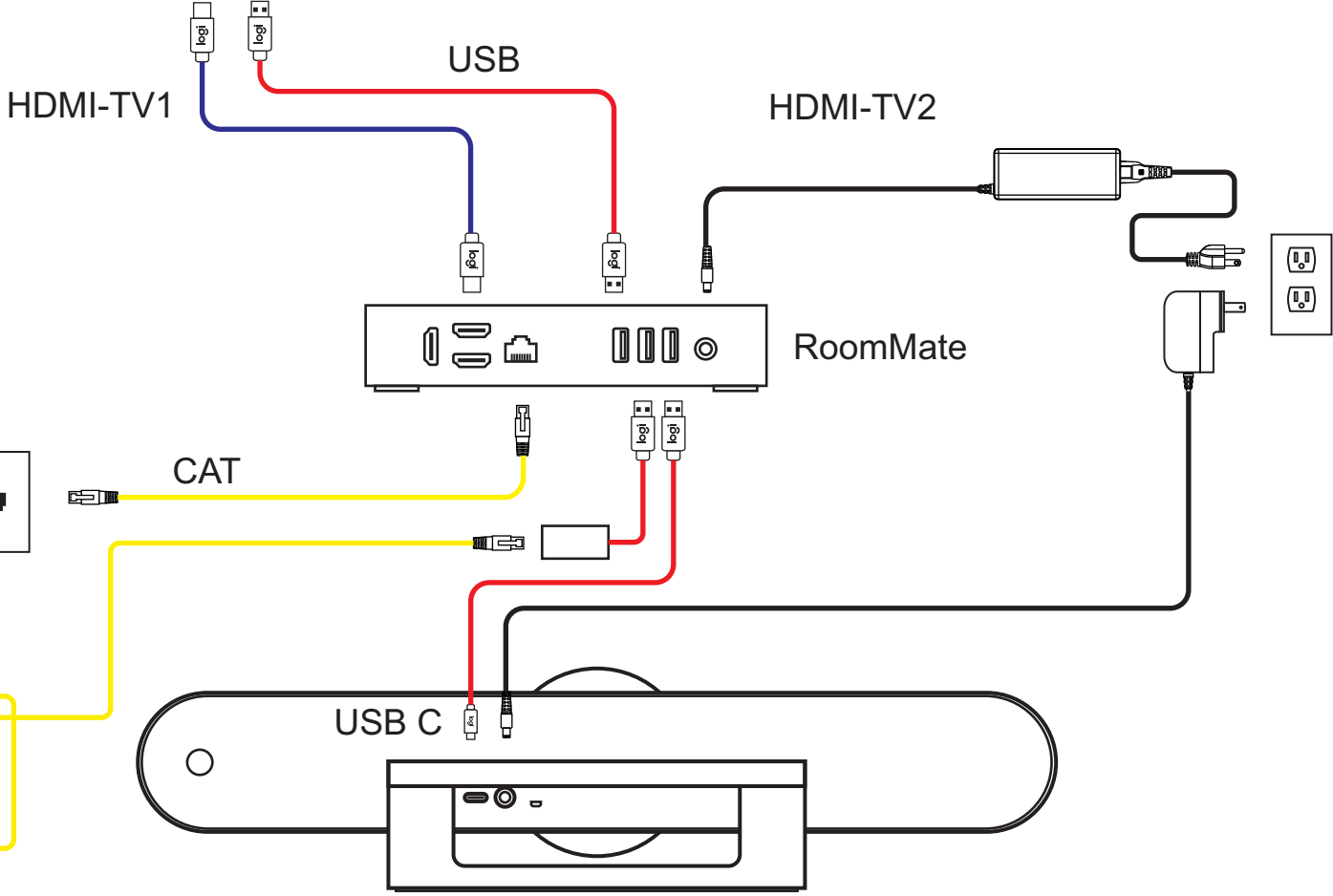
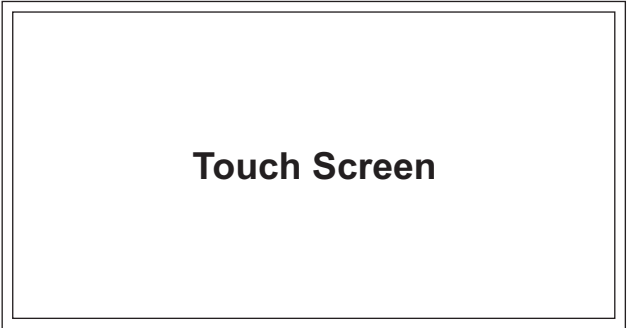
Rally Bar / Rally Bar Mini
Teams on Android: Touch screen
CollabOS 1.12 or later



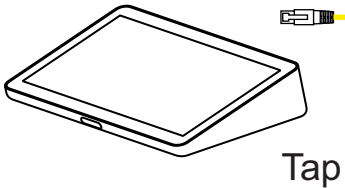
CAT ■
 USB ■
 HDMI ■



**RoomMate and MeetUp
 Teams on Android: Touch screen**



CAT ■
 USB ■
 HDMI ■



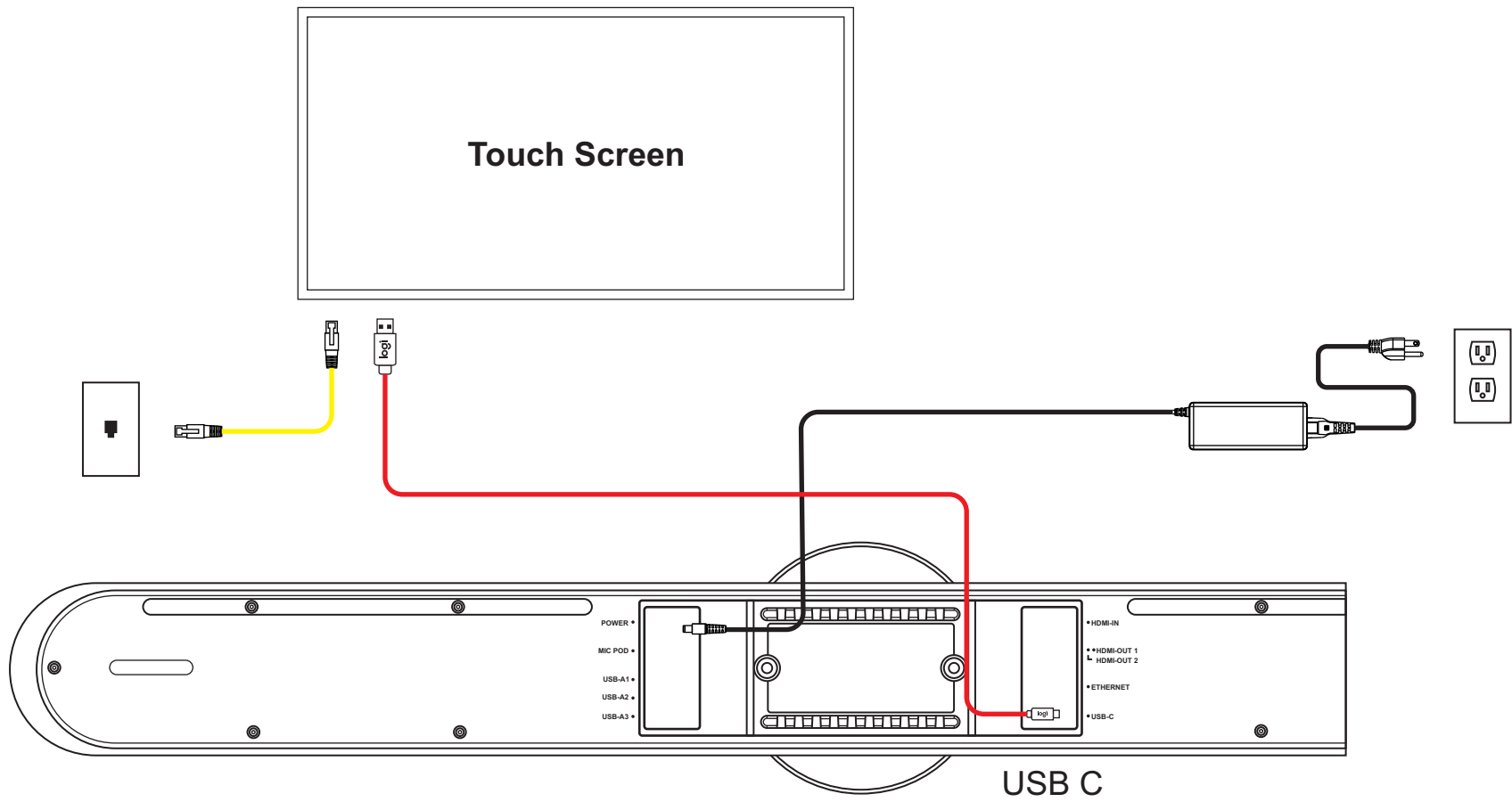
Tap

**RoomMate and MeetUp
 Teams on Android: Touch screen
 Tap**

RALLY BAR, RALLY BAR MINI, RALLY BAR HUDDLE & ROOMMATE WITH INTERACTIVE TOUCH SCREENS

[Table of Contents](#)

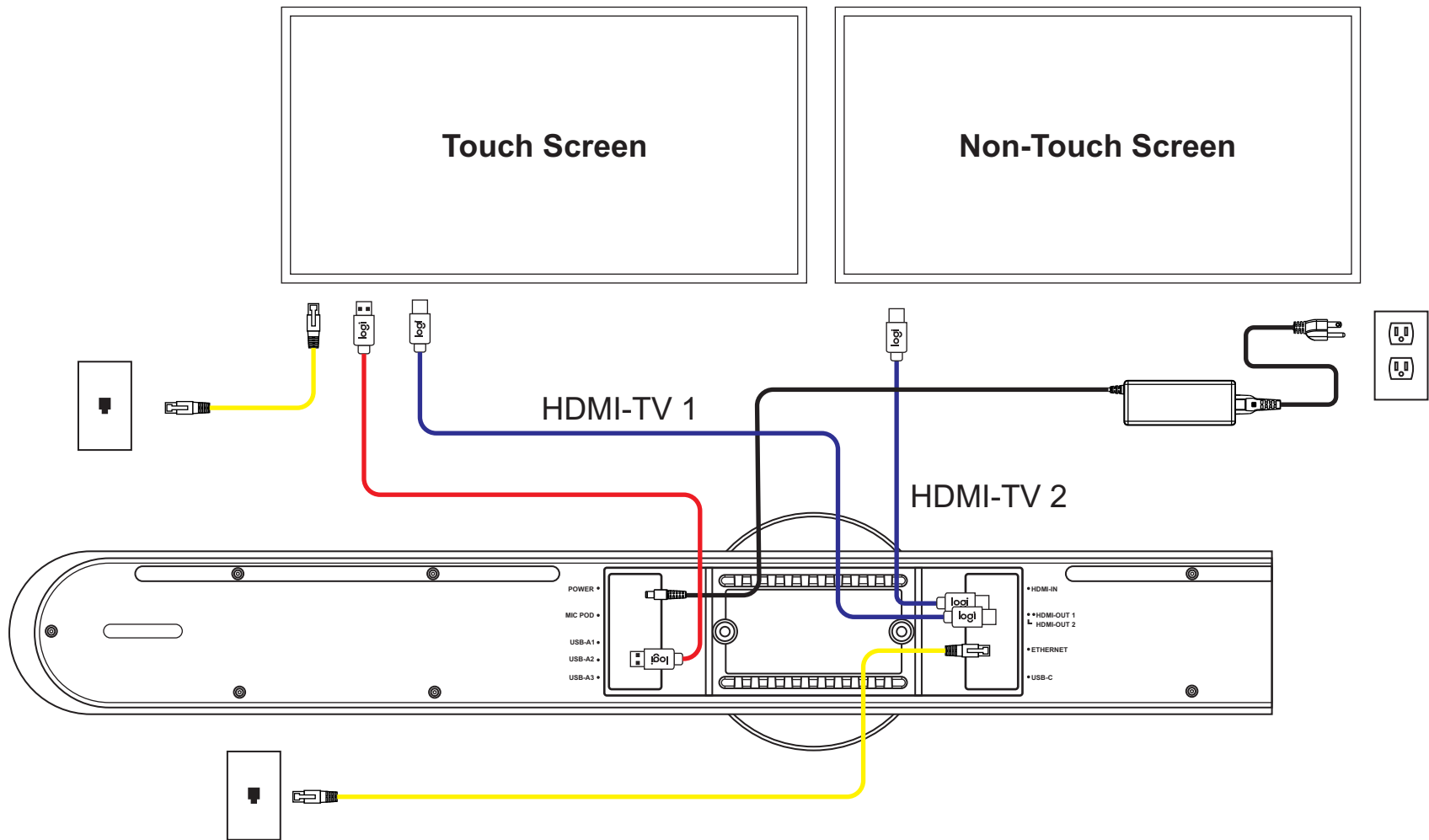




CAT ■
 USB ■
 HDMI ■



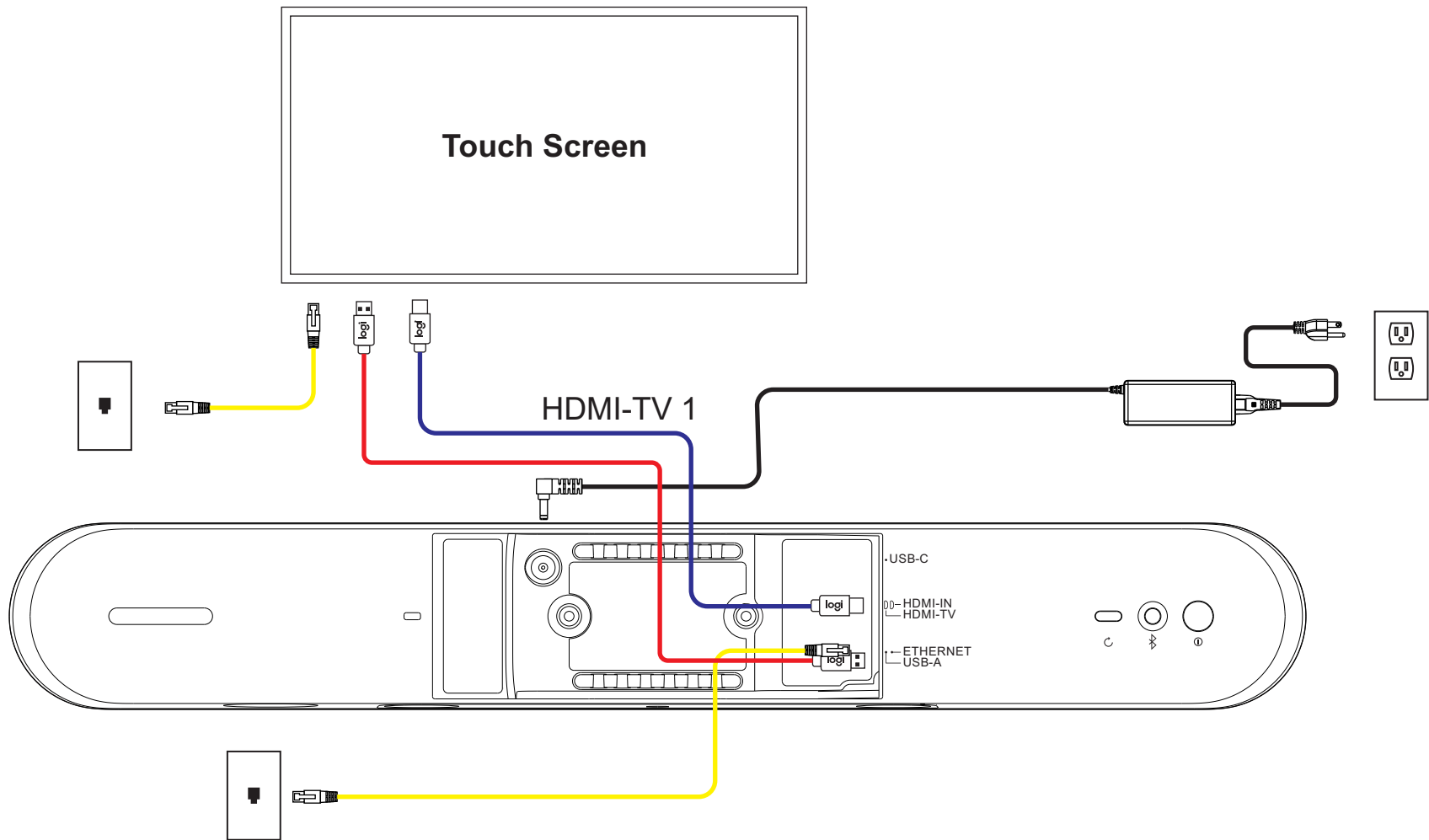
Rally Bar / Rally Bar Mini
PC Mode: Touch panel with built-in computer
Tap USB not supported



CAT ■
 USB ■
 HDMI ■



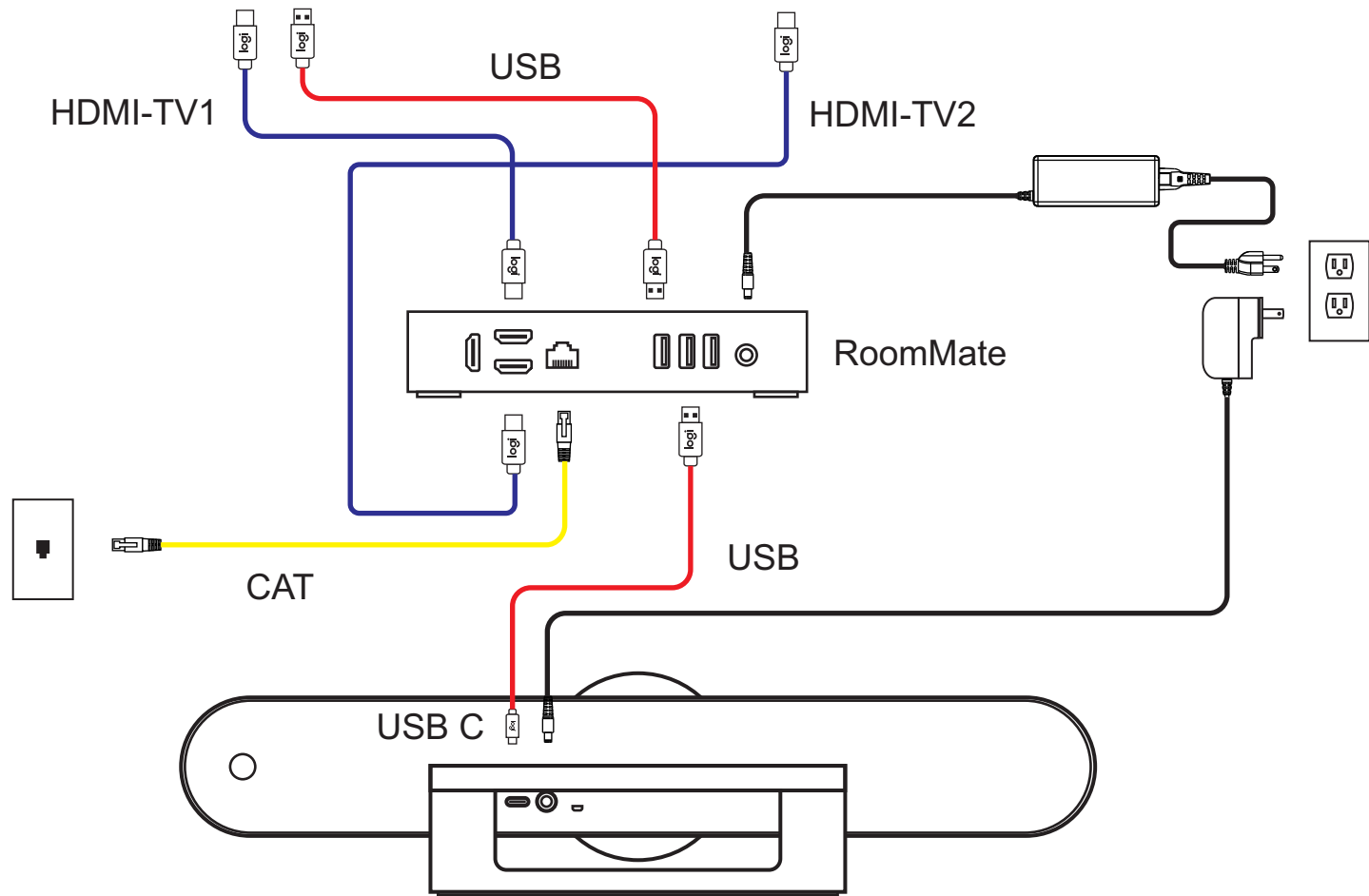
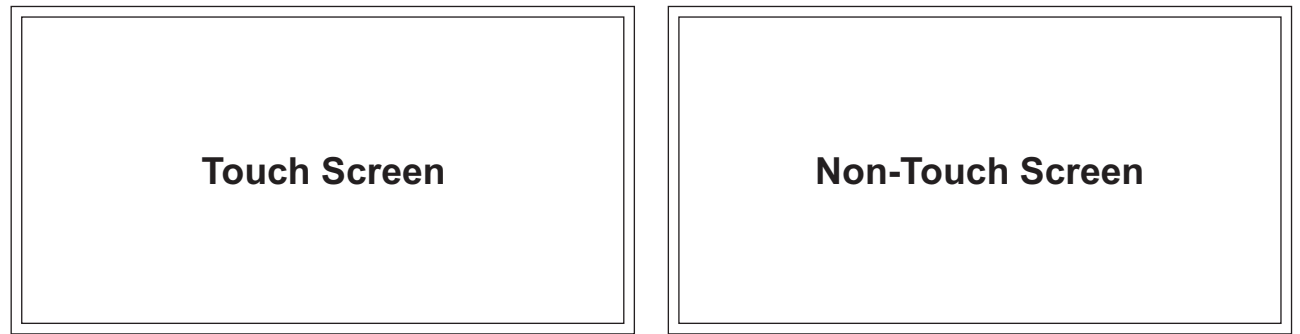
Rally Bar / Rally Bar Mini
Android Mode: Touch screen



CAT ■
 USB ■
 HDMI ■



Rally Bar Huddle
Android Mode: Touch screen



CAT ■
 USB ■
 HDMI ■

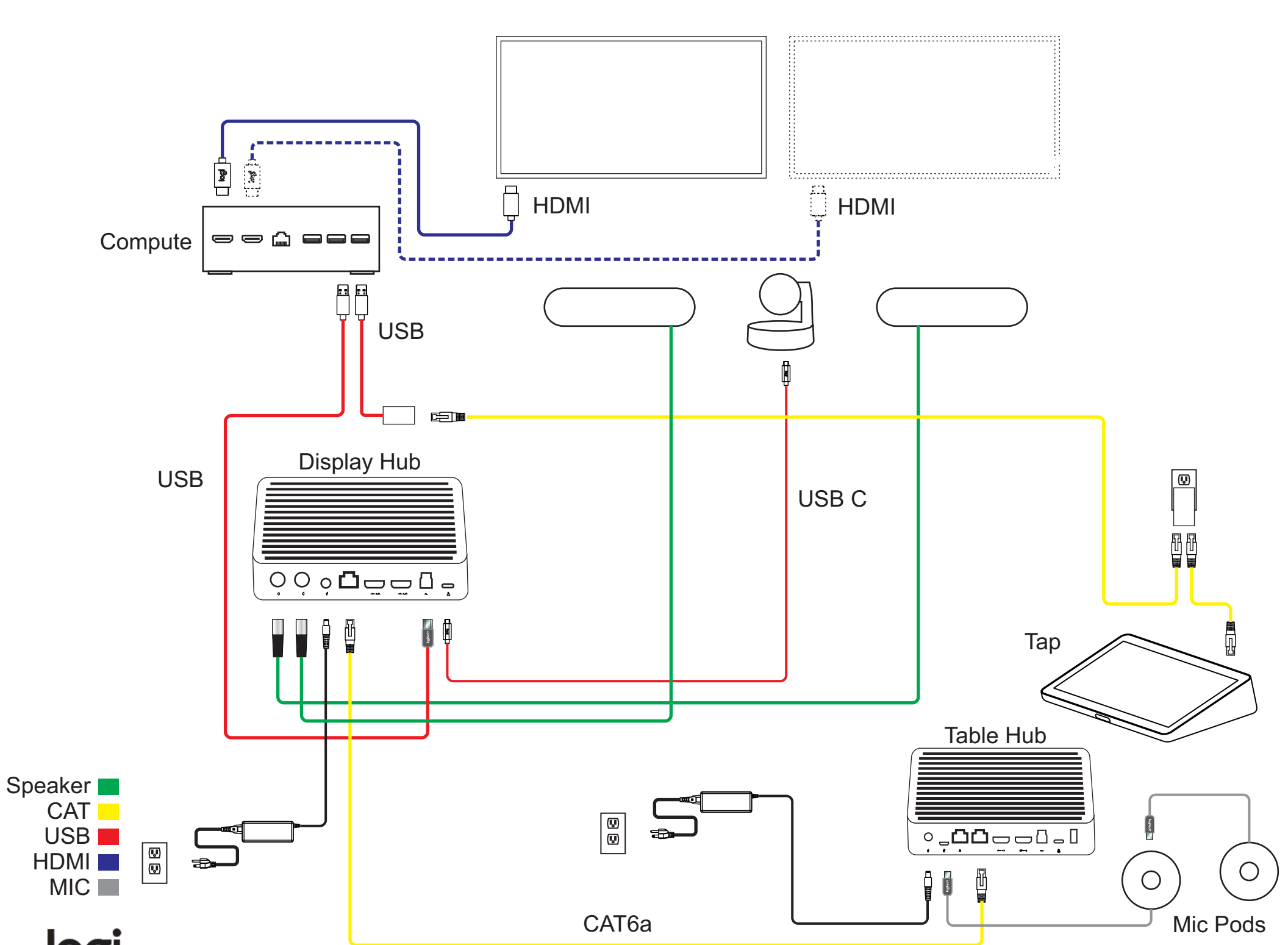


RoomMate and MeetUp
 Android Mode: Touch screen

RALLY & RALLY PLUS

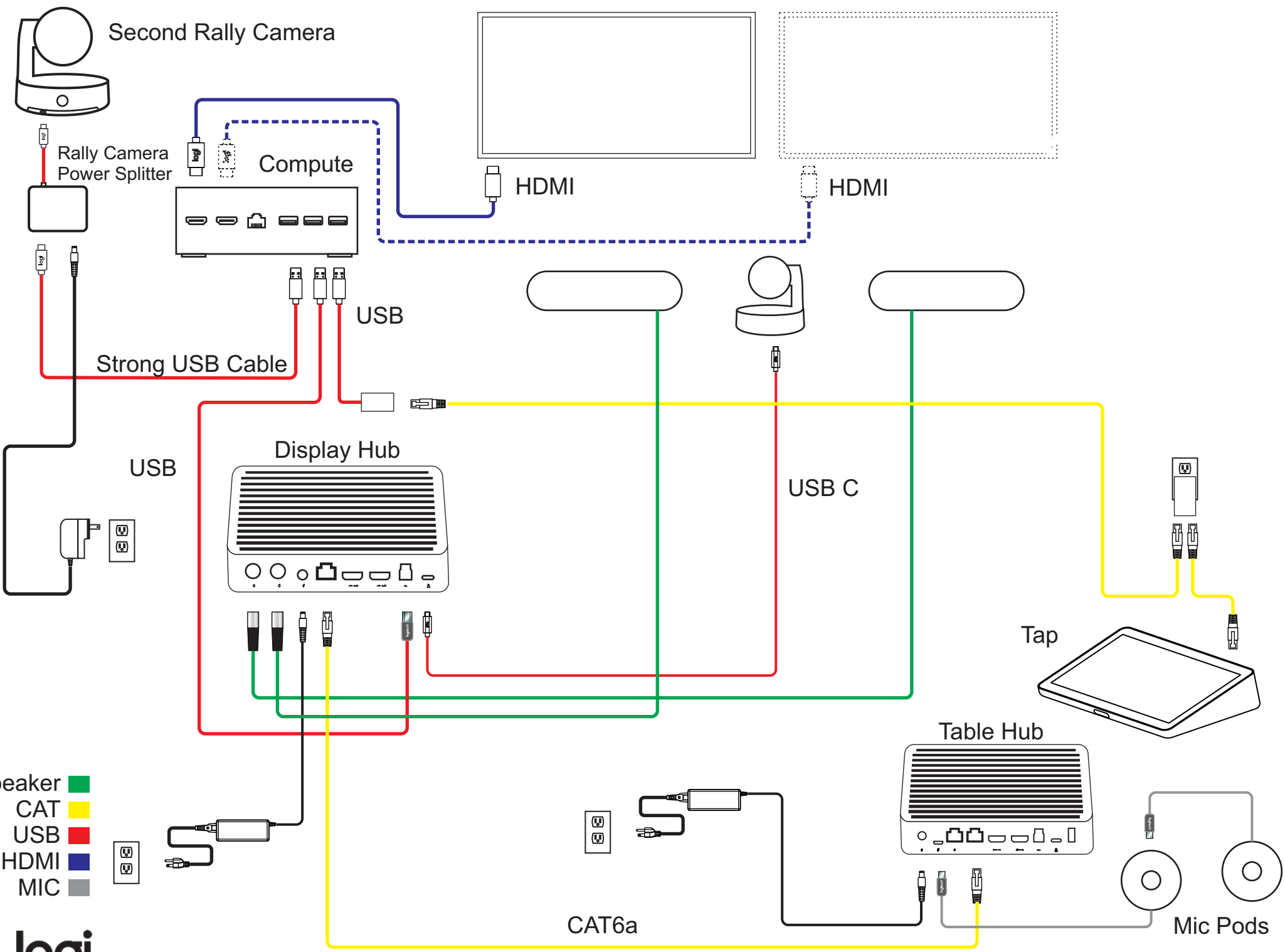
[Table of Contents](#)





- Speaker ■
- CAT ■
- USB ■
- HDMI ■
- MIC ■

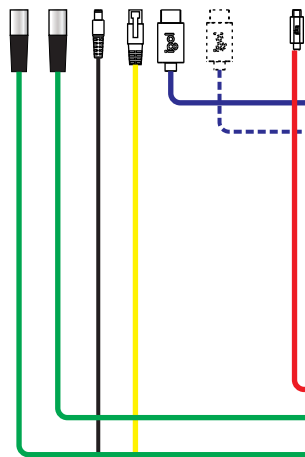
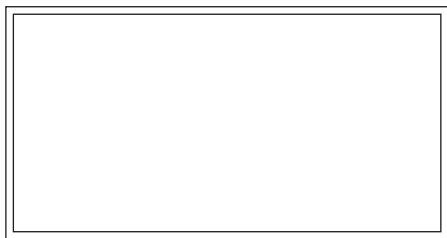
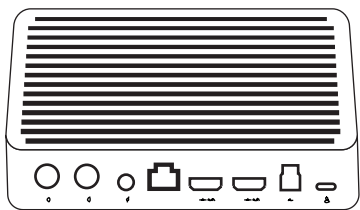




- Speaker ■
- CAT ■
- USB ■
- HDMI ■
- MIC ■



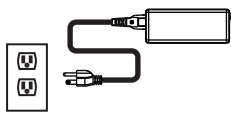
Display Hub



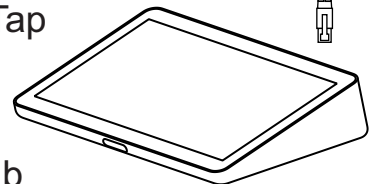
HDMI

HDMI

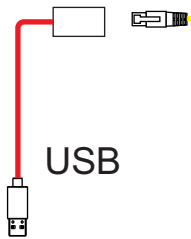
USB C



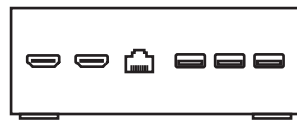
Tap



USB



Compute



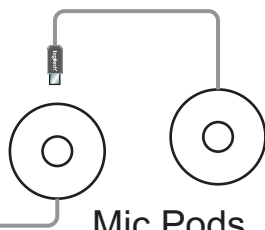
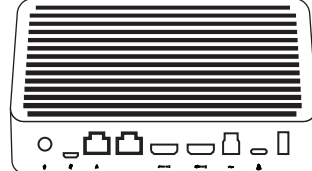
HDMI

HDMI

USB

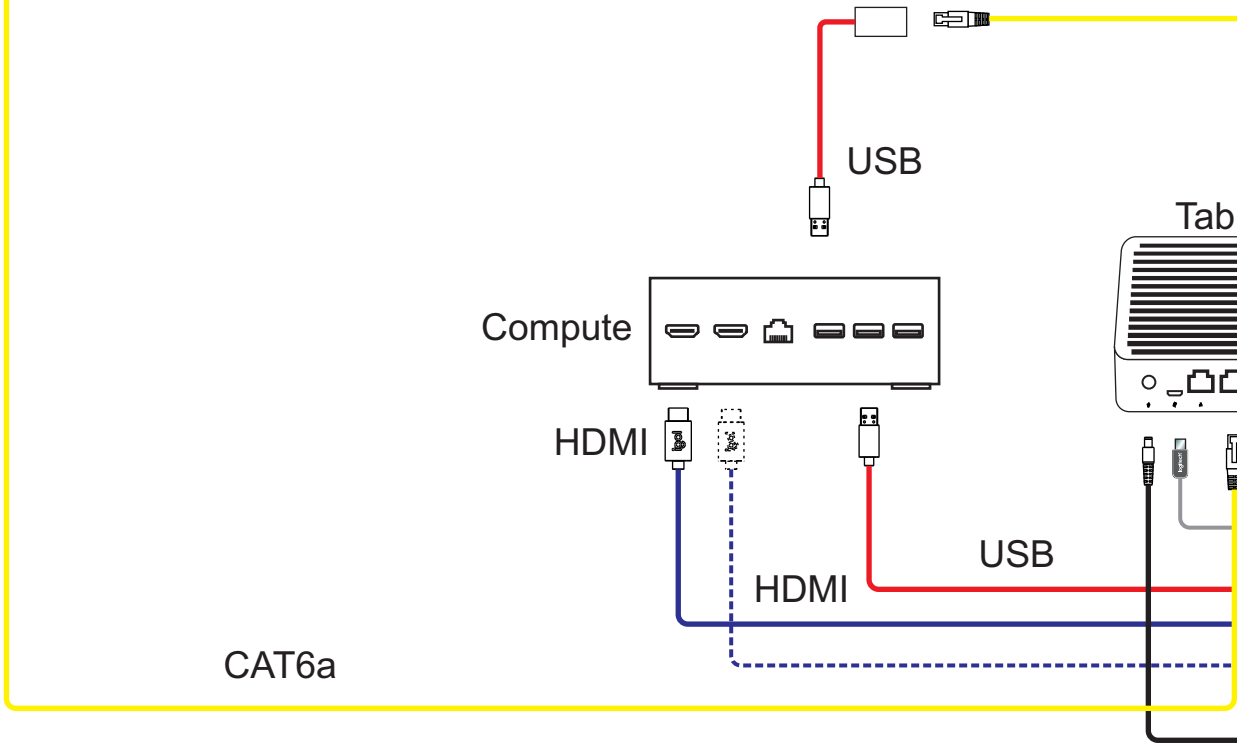
HDMI

Table Hub



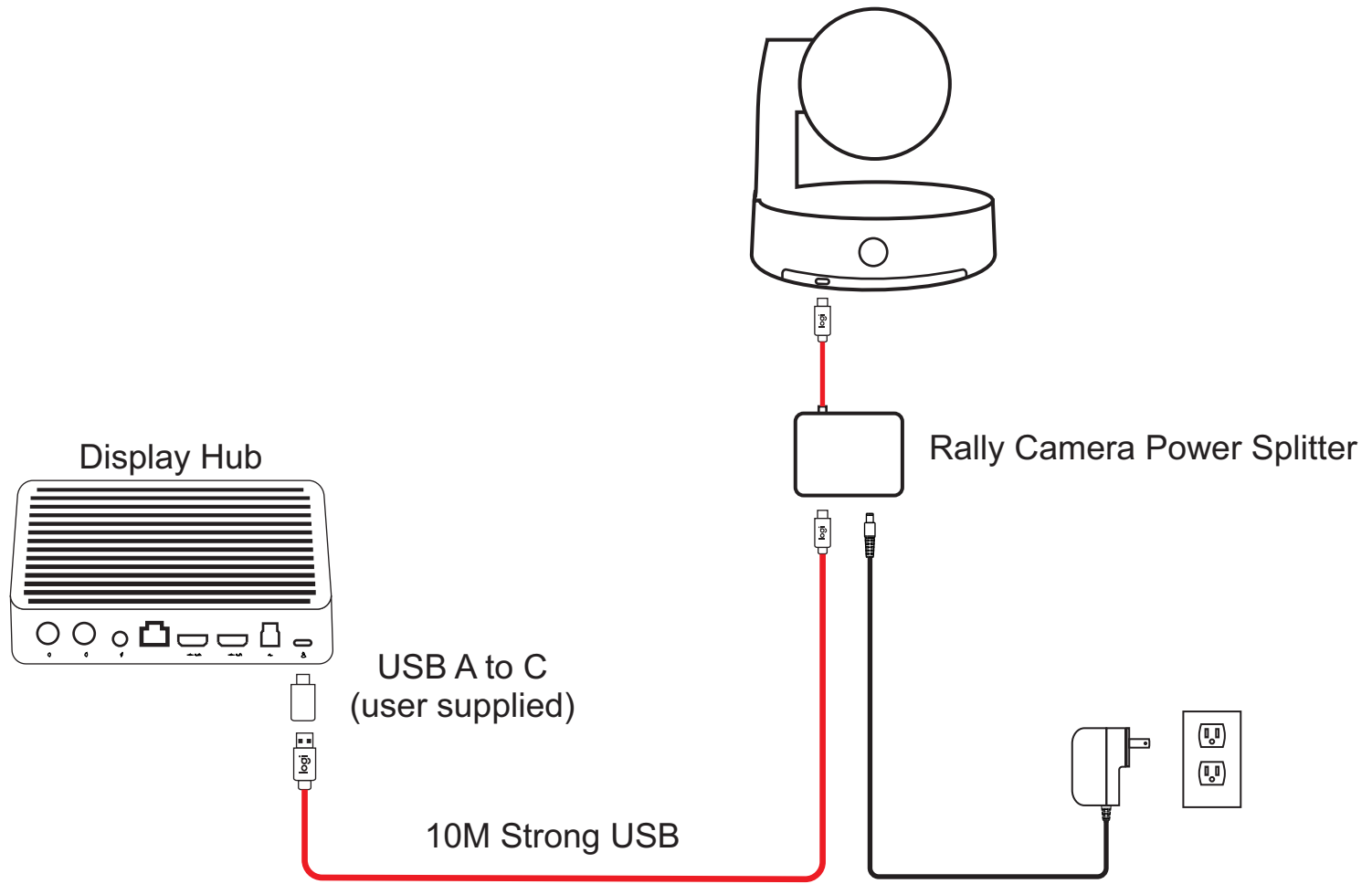
Mic Pods

CAT6a



- Speaker ■
- CAT ■
- USB ■
- HDMI ■
- MIC ■





USB ■

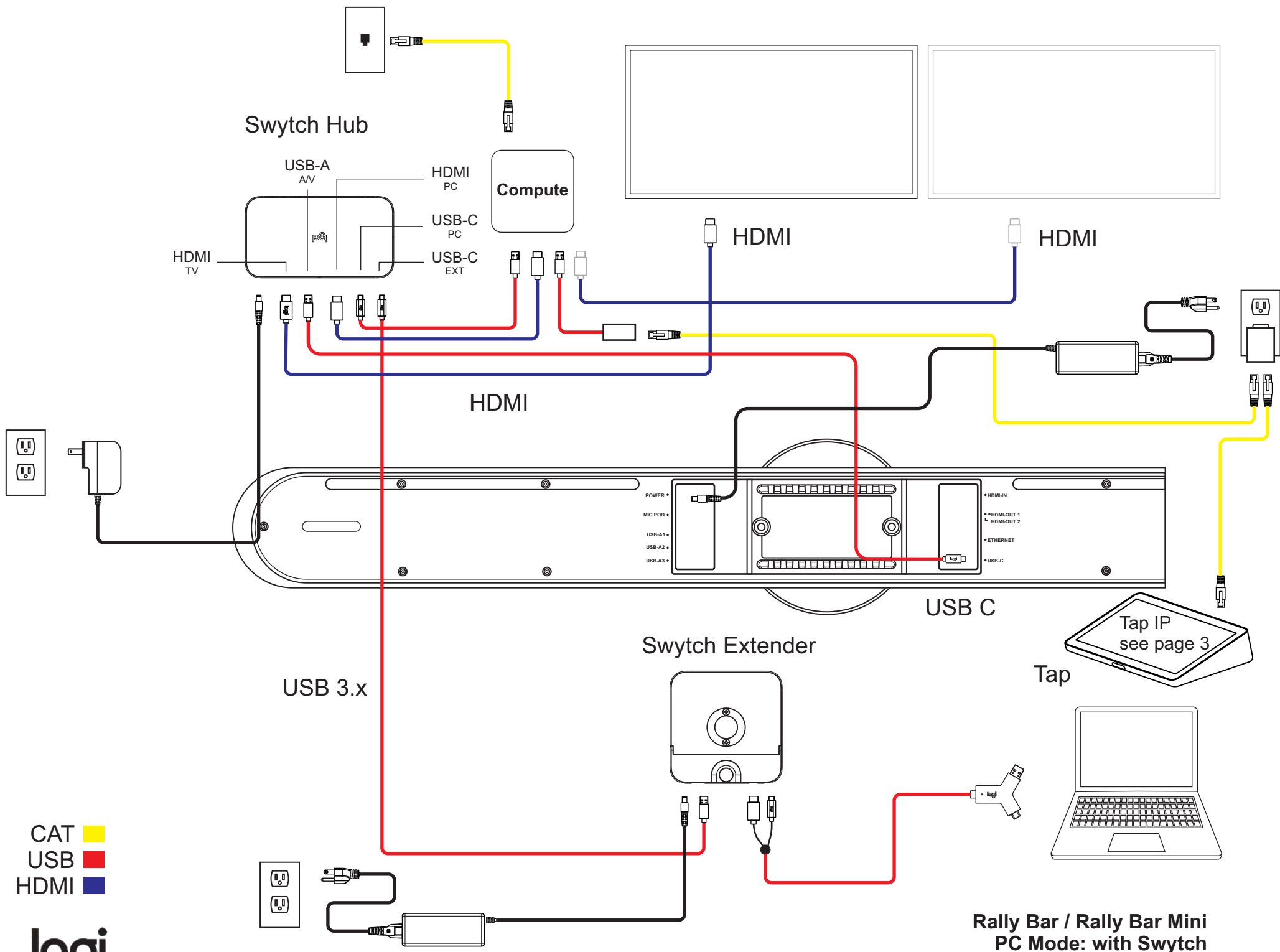


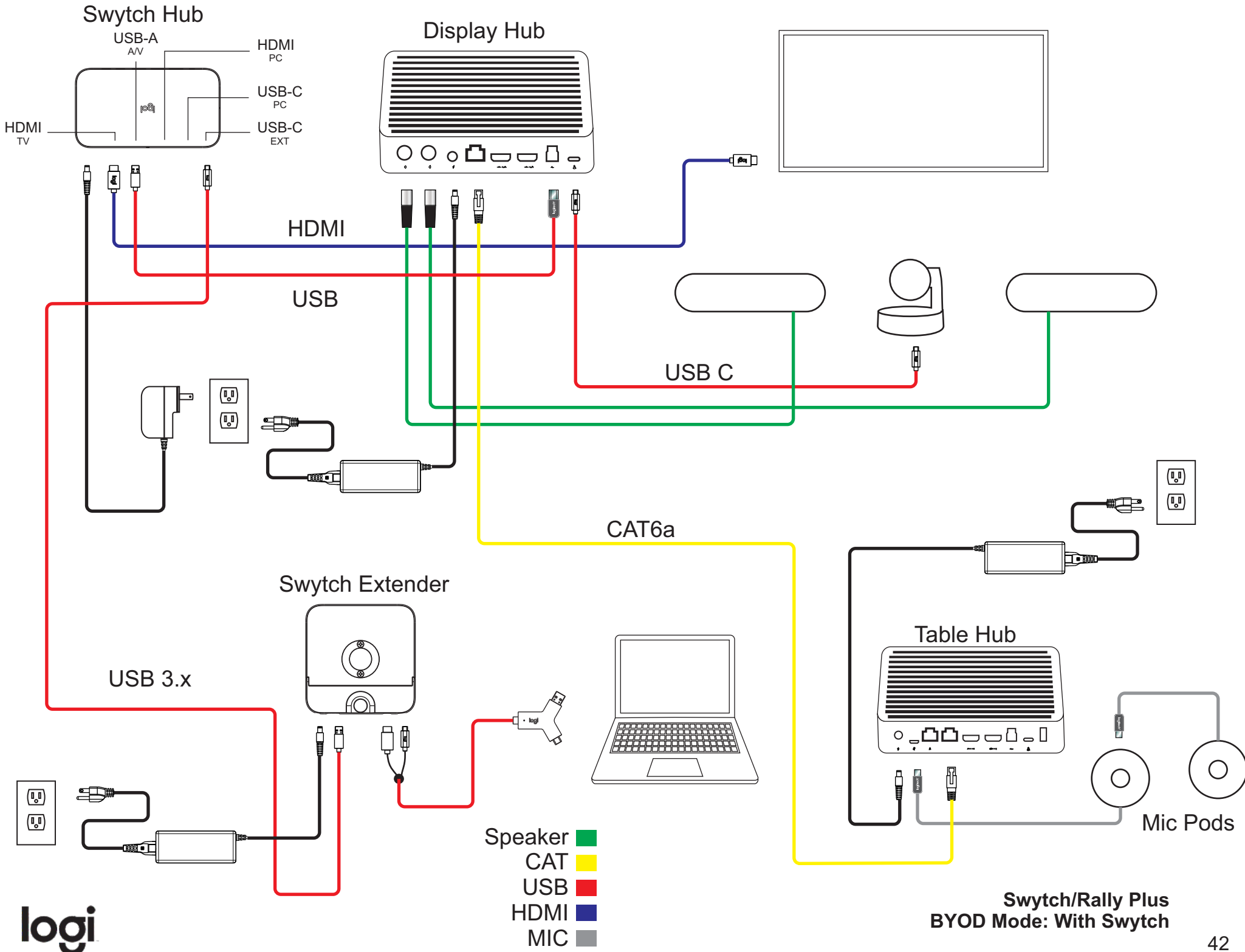
Rally Plus: Extending the USB cable between the camera and Display Hub
Please note: this configuration does not work with Swytch

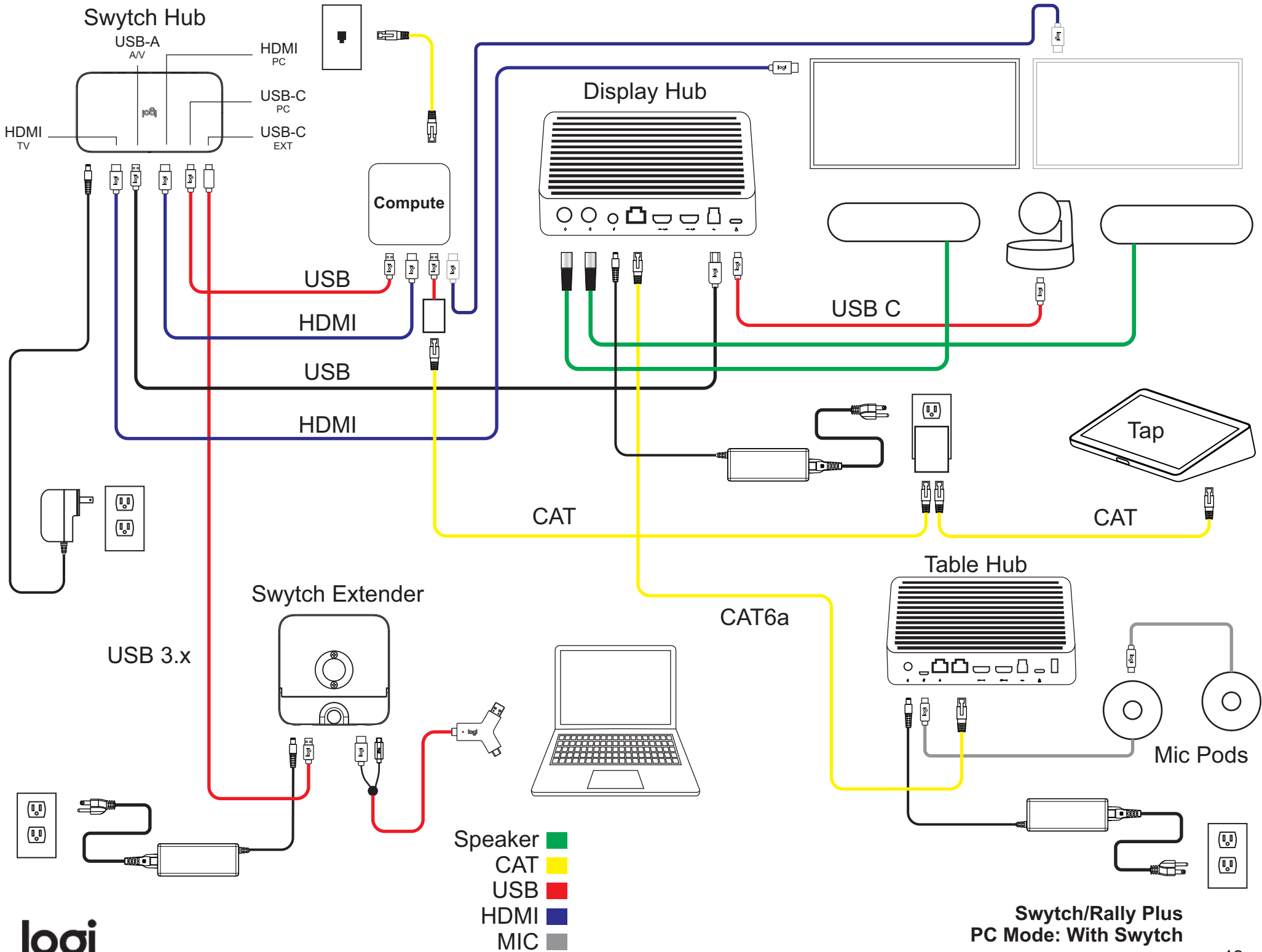
SWYTCH

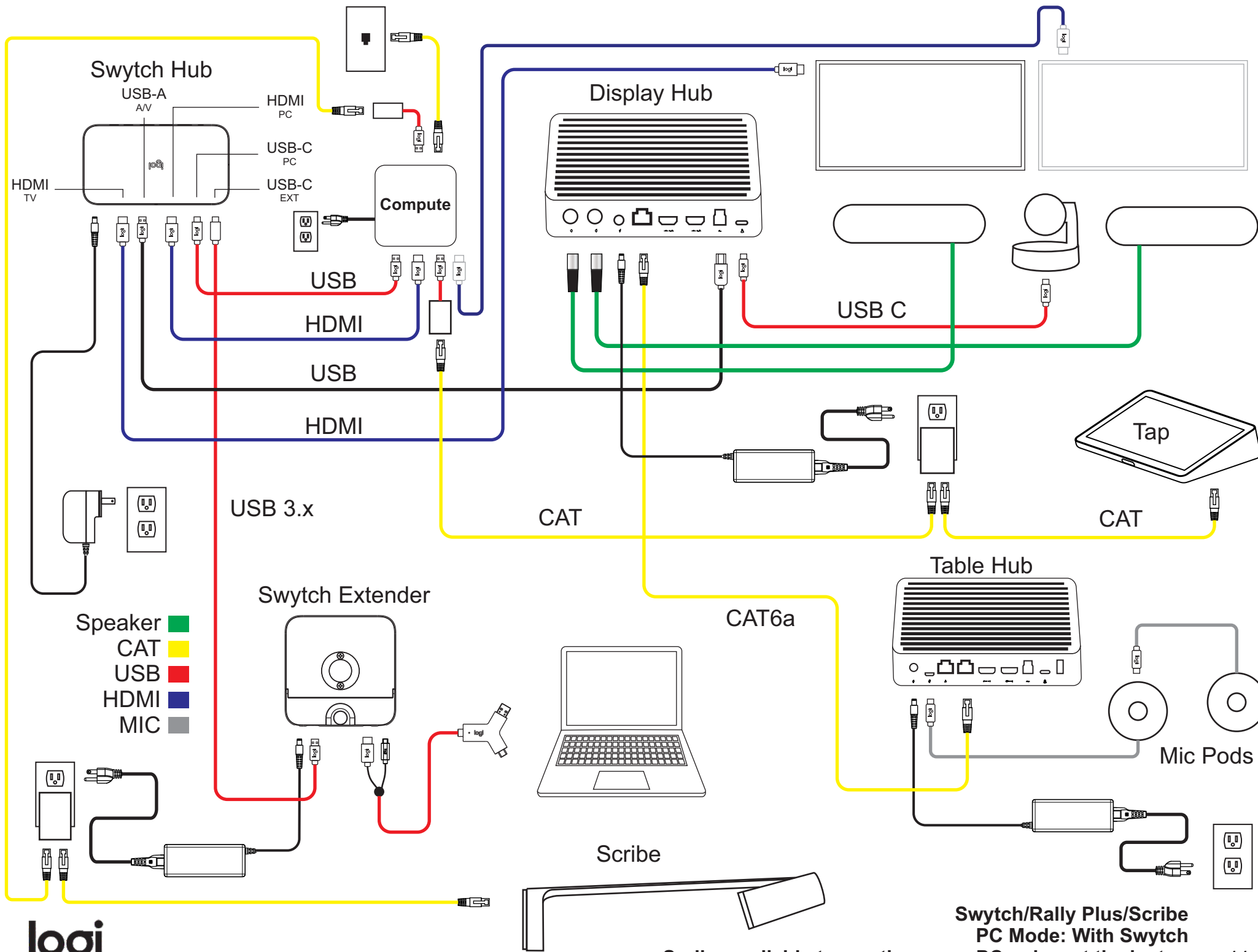
[Table of Contents](#)

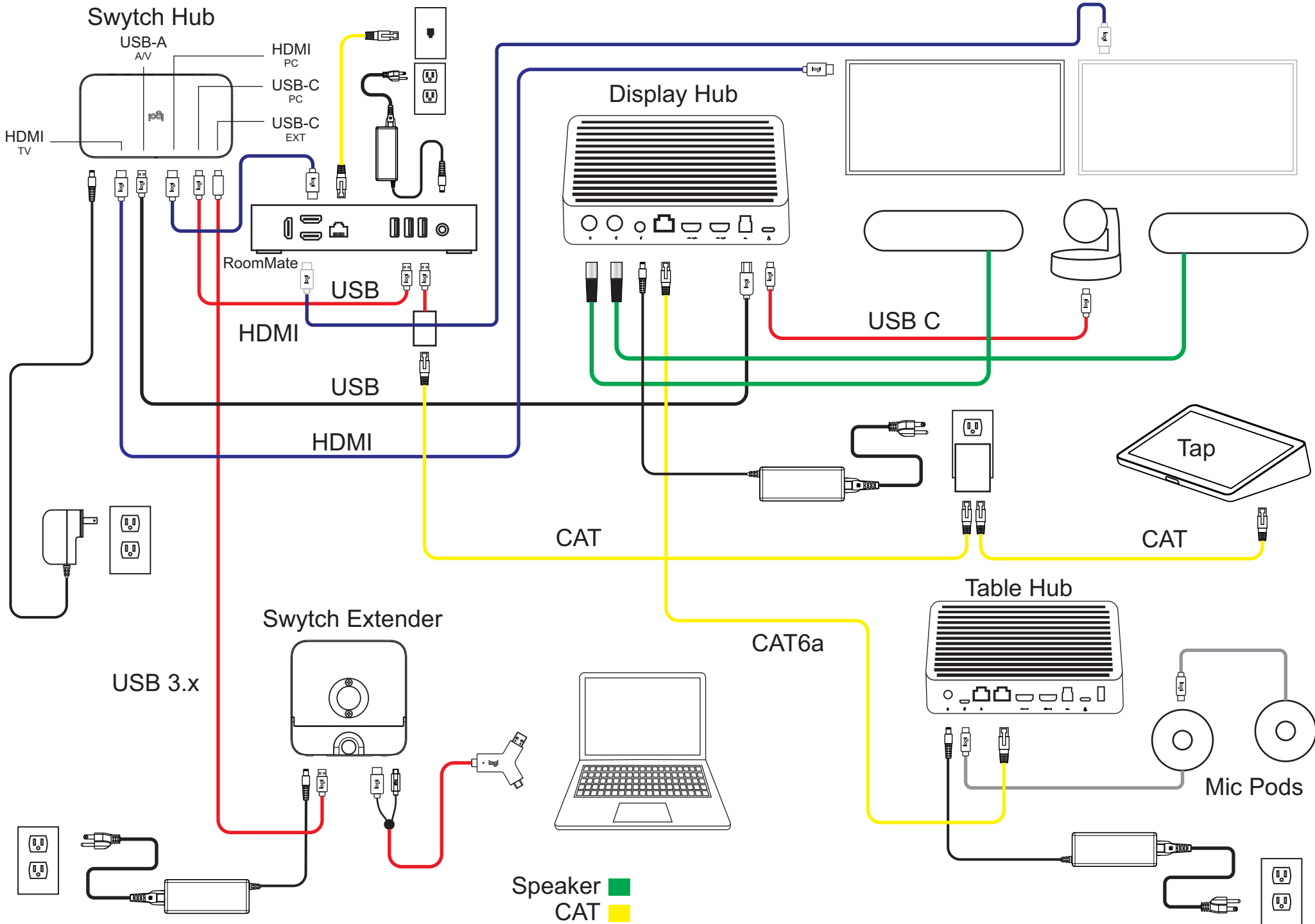








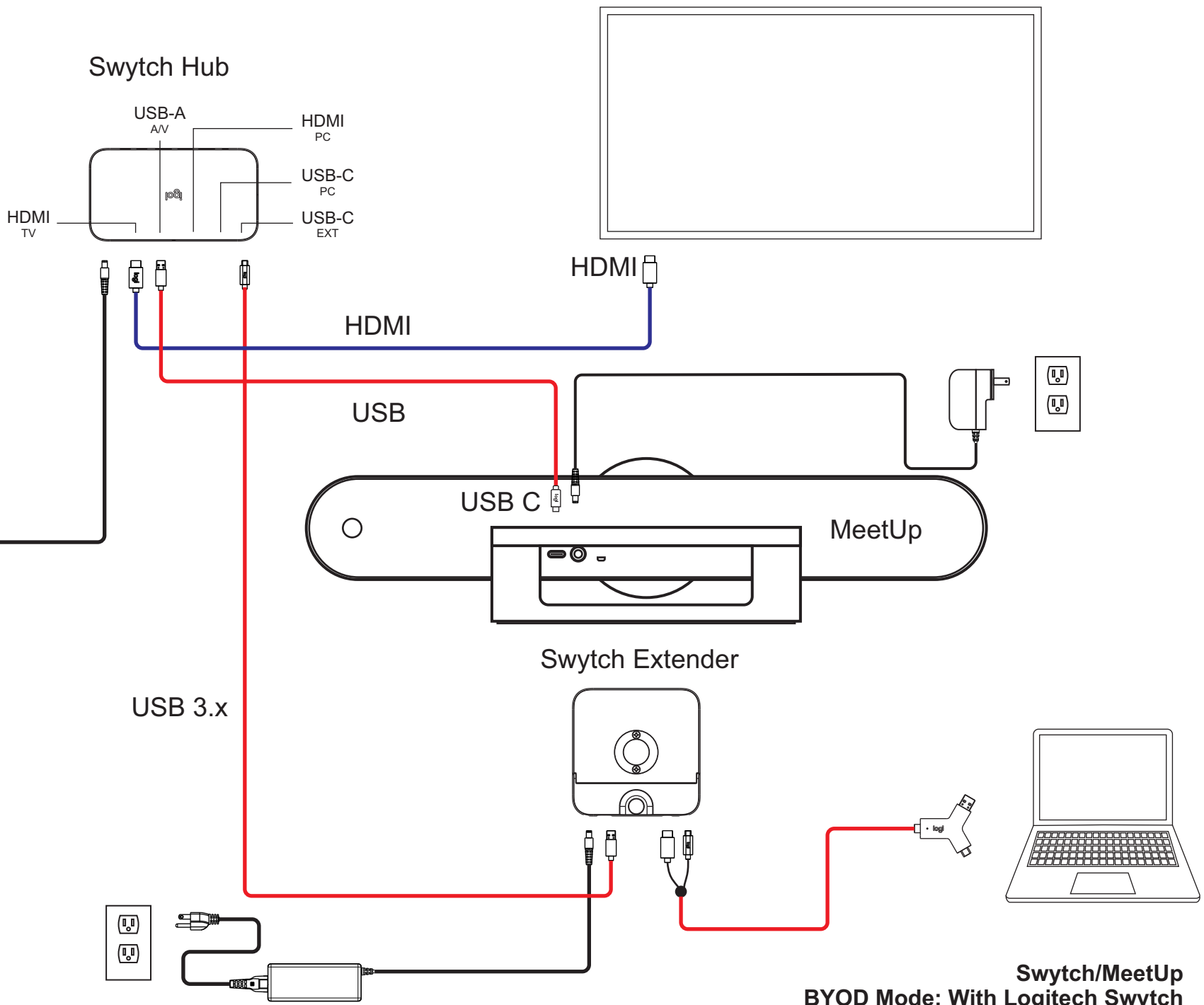




- Speaker ■
- CAT ■
- USB ■
- HDMI ■
- MIC ■

RoomMate/Switch/Rally Plus
Android Mode: With Switch

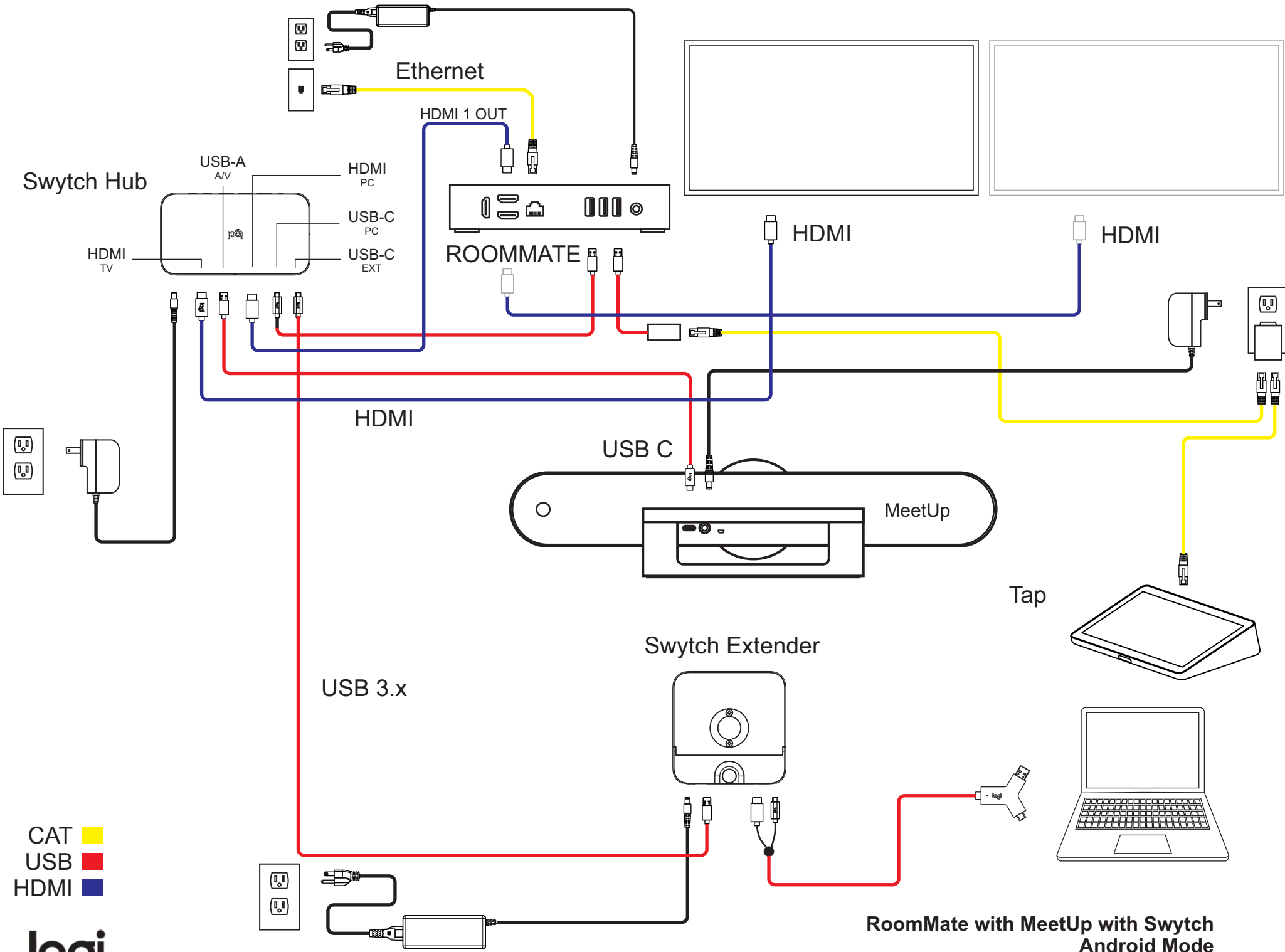




CAT ■
 USB ■
 HDMI ■



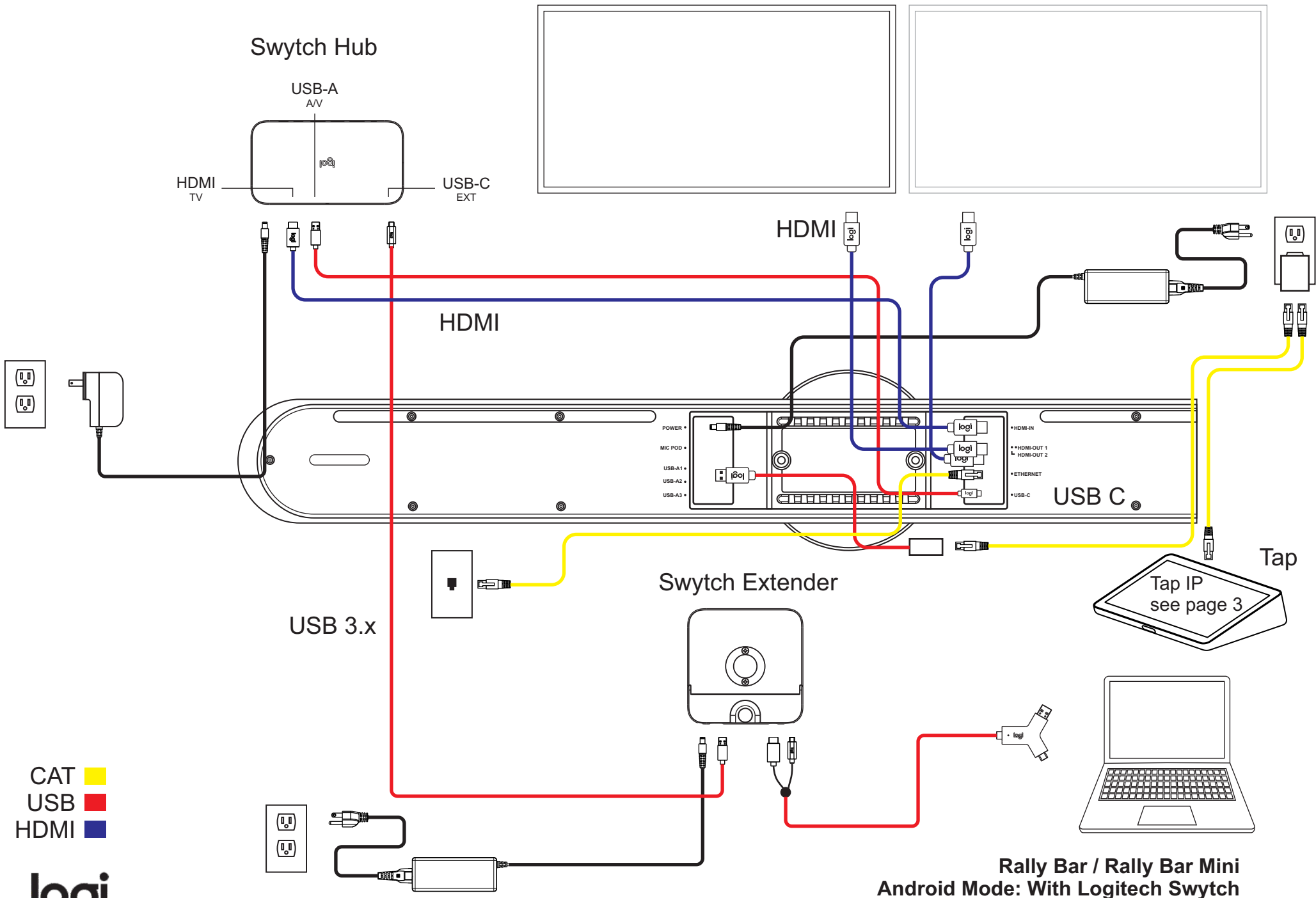
**Swytch/MeetUp
 BYOD Mode: With Logitech Swytch**



CAT ■
 USB ■
 HDMI ■



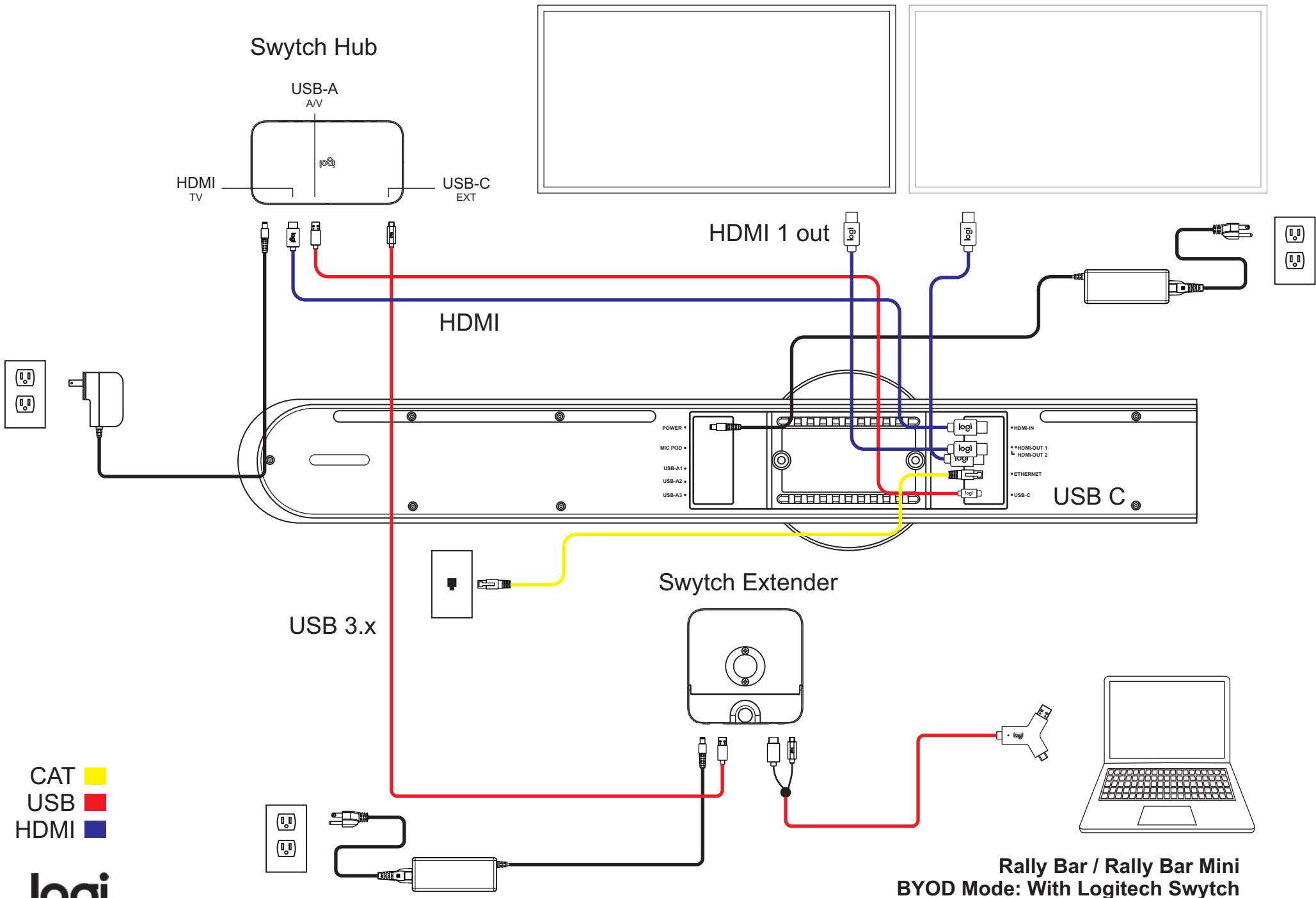
RoomMate with MeetUp with Swytch Android Mode



CAT ■
 USB ■
 HDMI ■

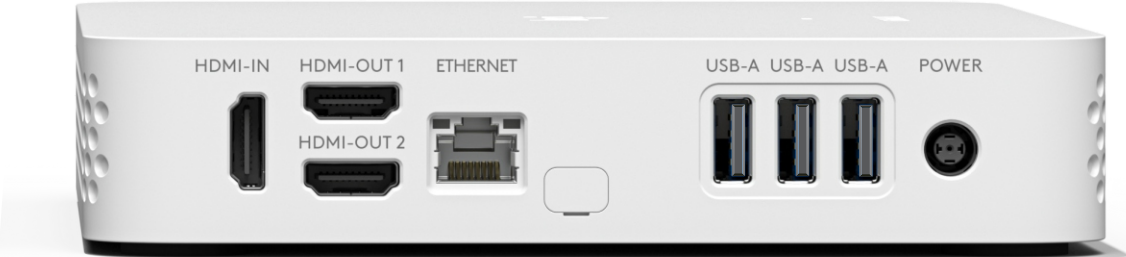
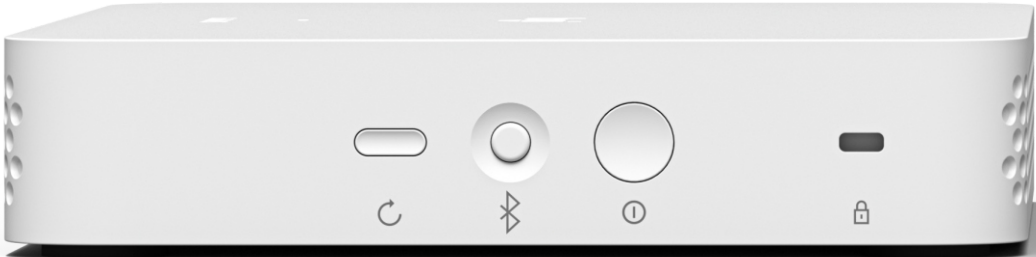


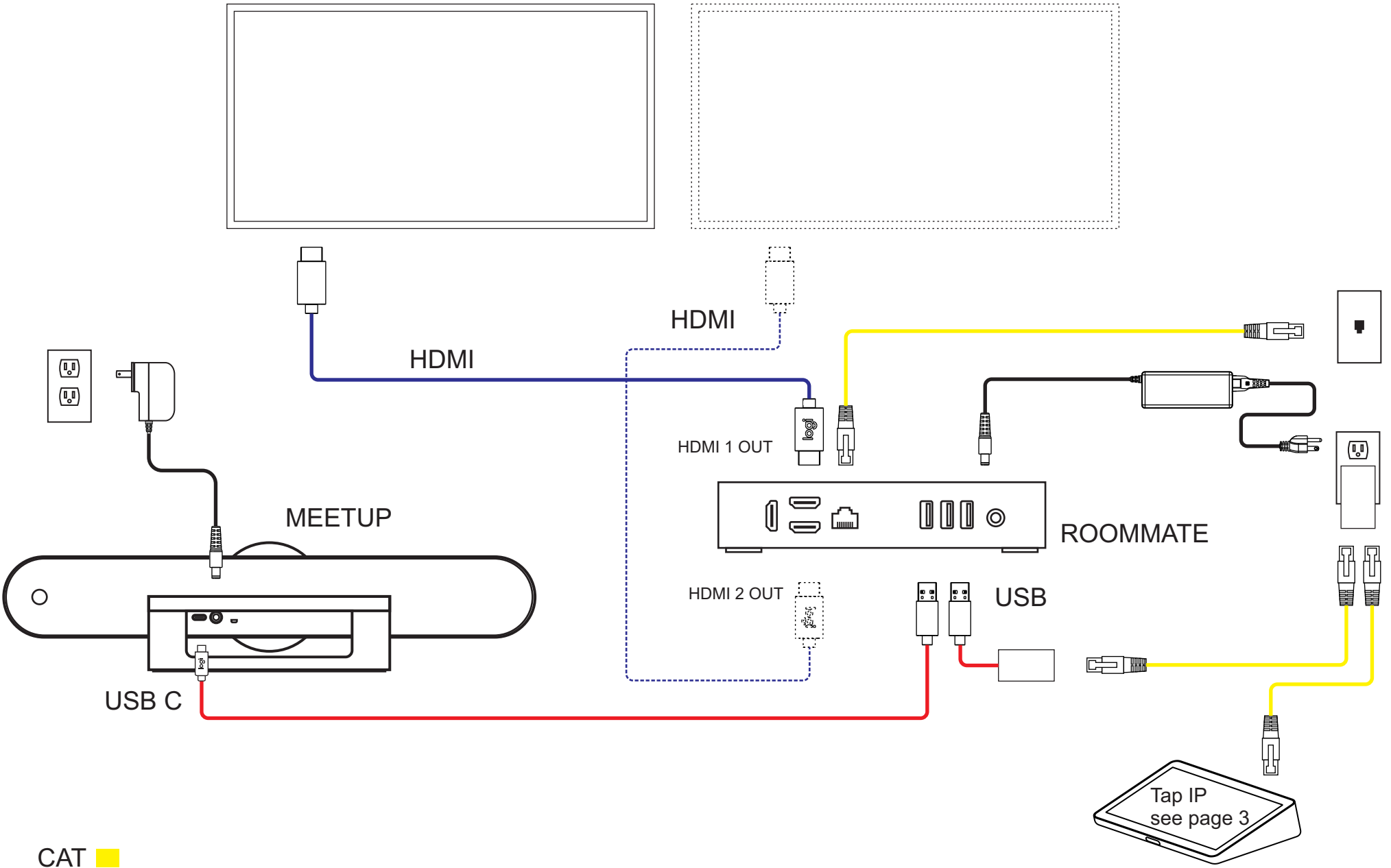
Rally Bar / Rally Bar Mini
 Android Mode: With Logitech Switch



ROOMMATE

[Table of Contents](#)

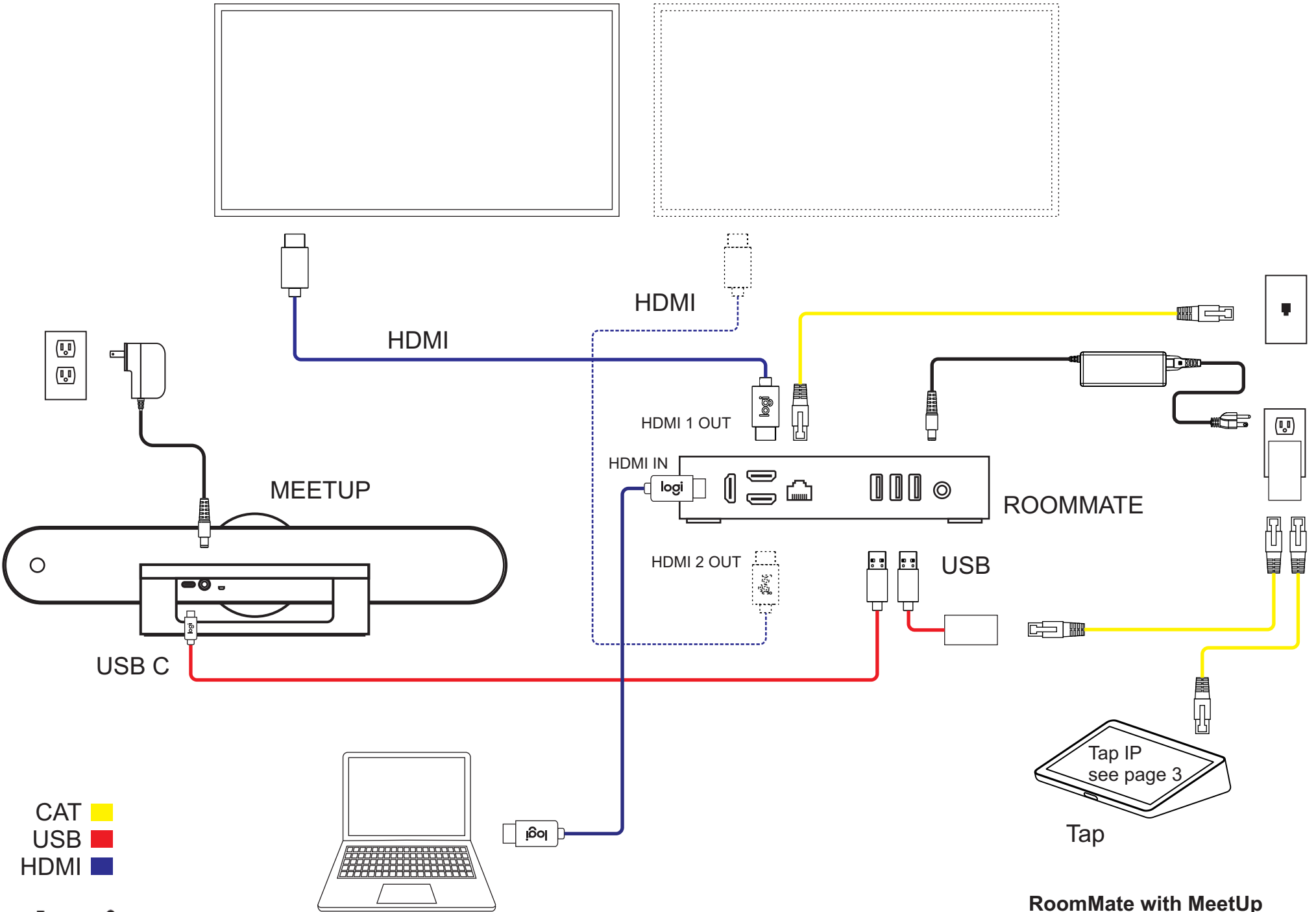




- CAT ■
- USB ■
- HDMI ■

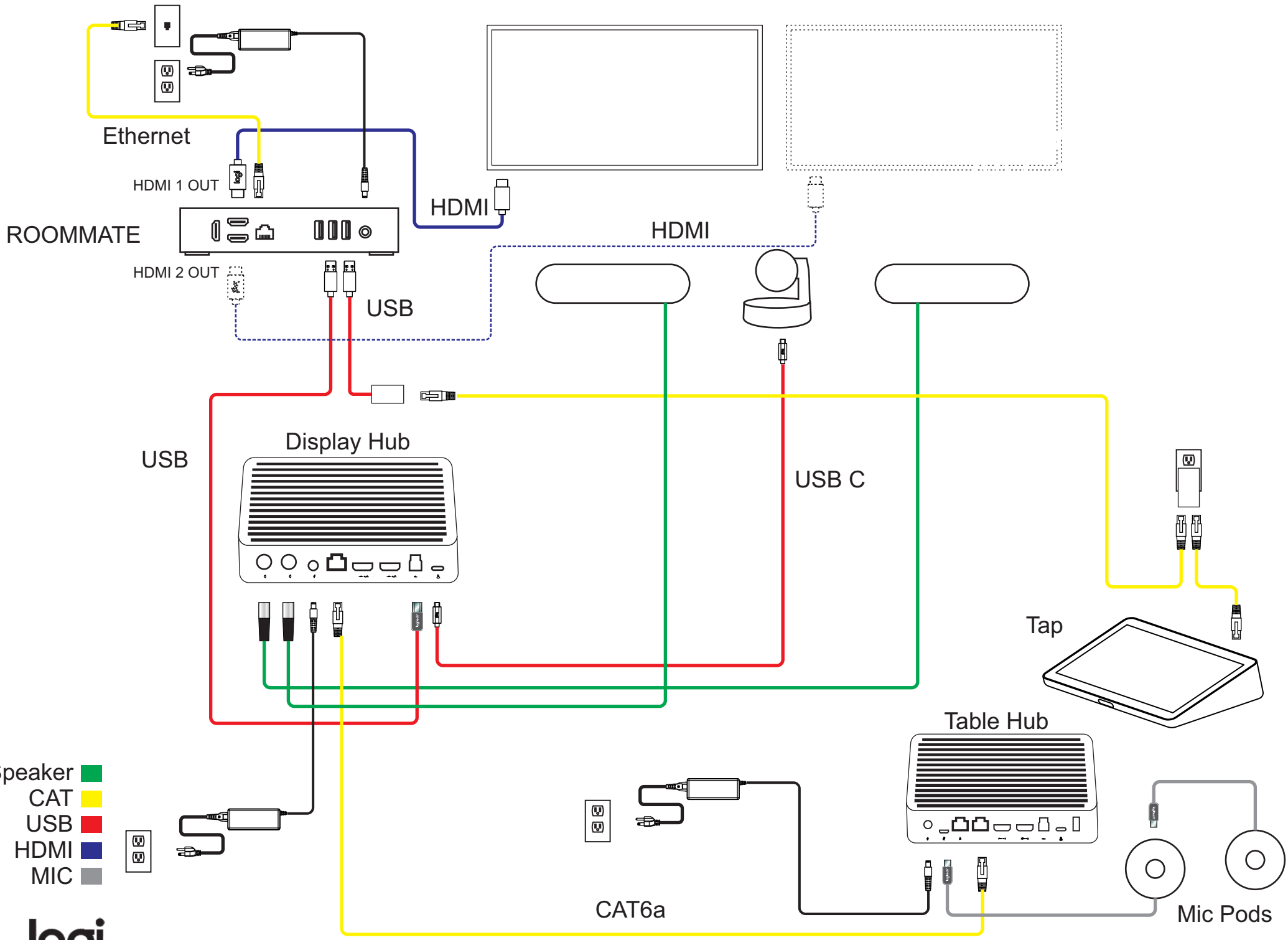


**RoomMate with MeetUp
Android Mode**



CAT ■
USB ■
HDMI ■





Ethernet

HDMI 1 OUT

ROOMMATE

HDMI 2 OUT

USB

HDMI

HDMI

USB

Display Hub

USB C

Tap

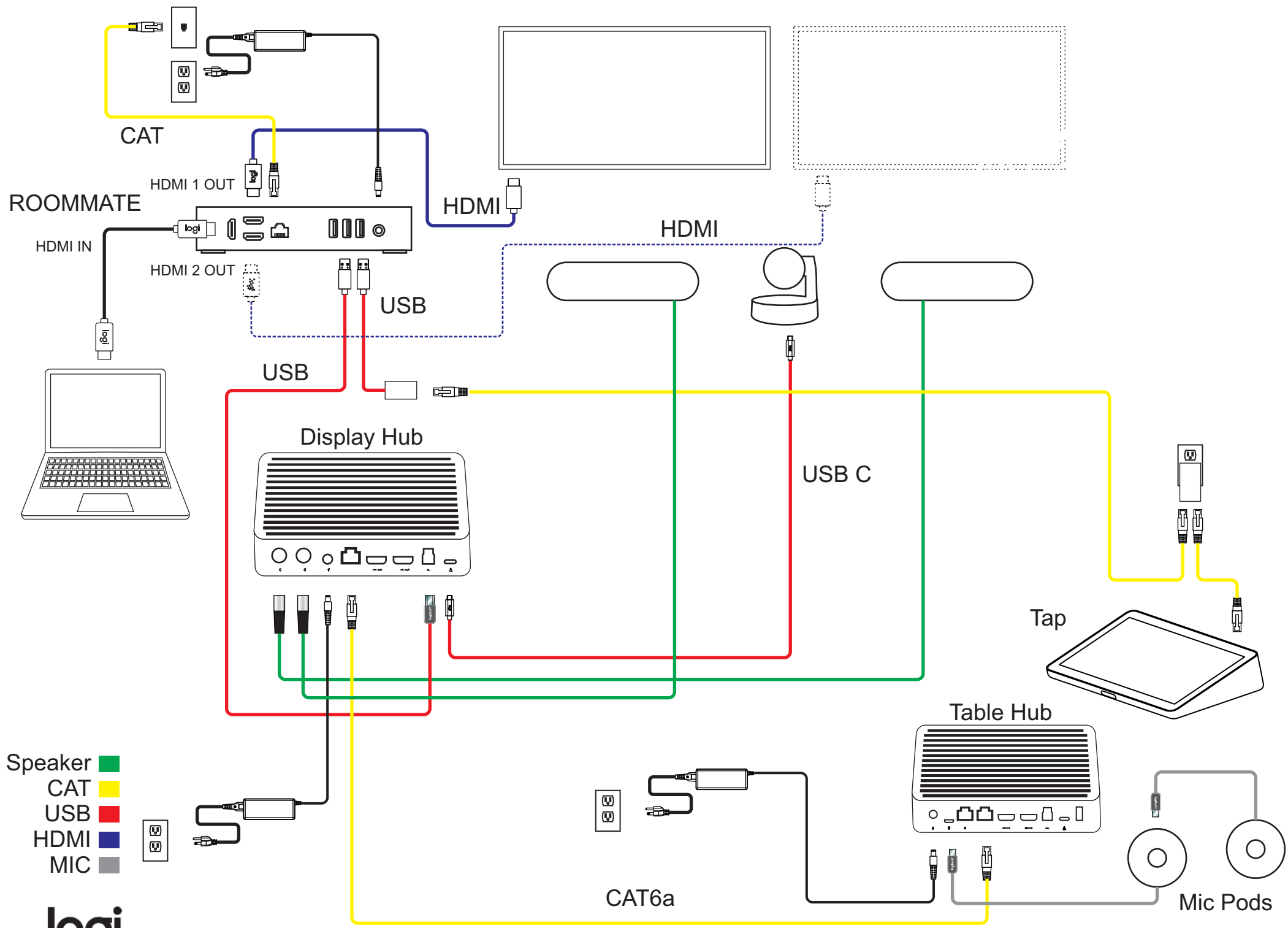
Table Hub

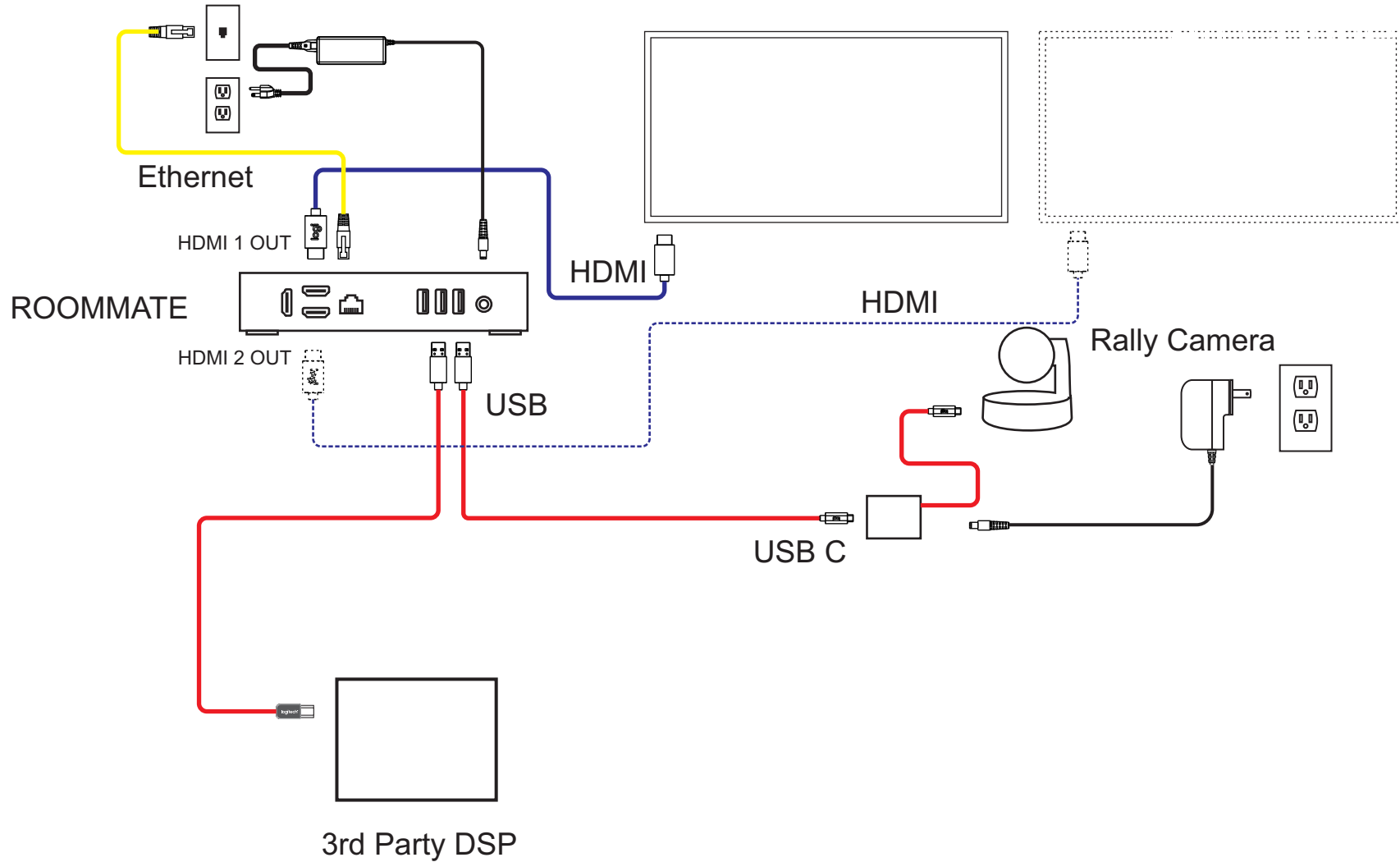
CAT6a

Mic Pods

- Speaker ■
- CAT ■
- USB ■
- HDMI ■
- MIC ■

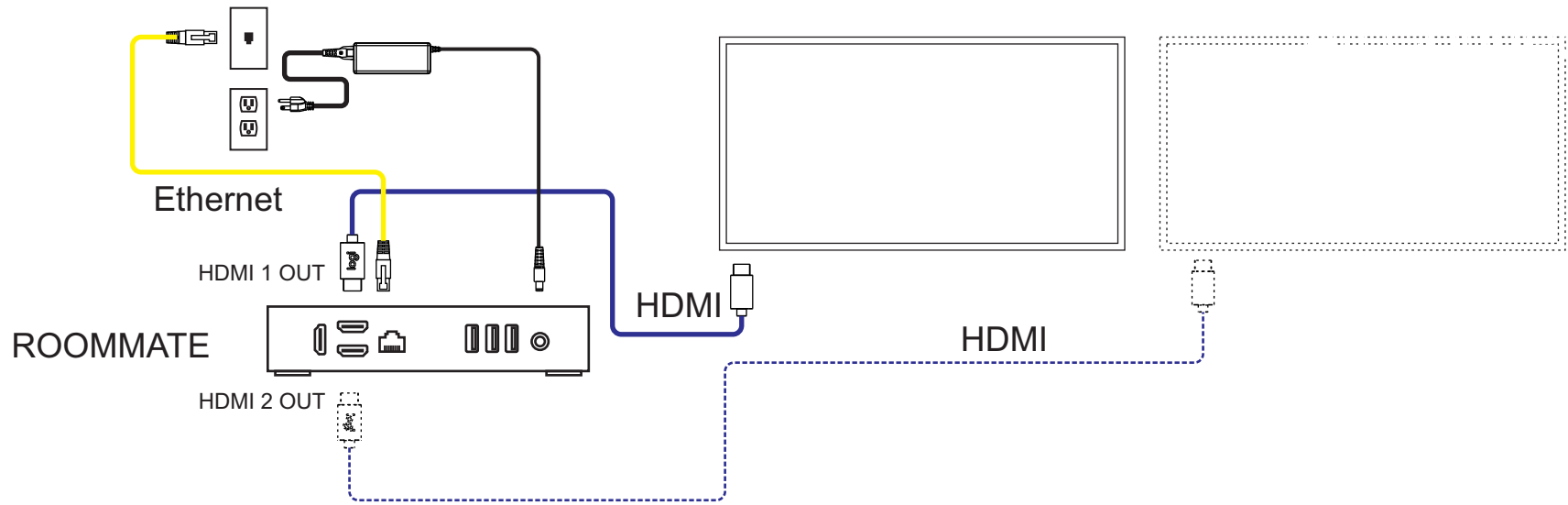






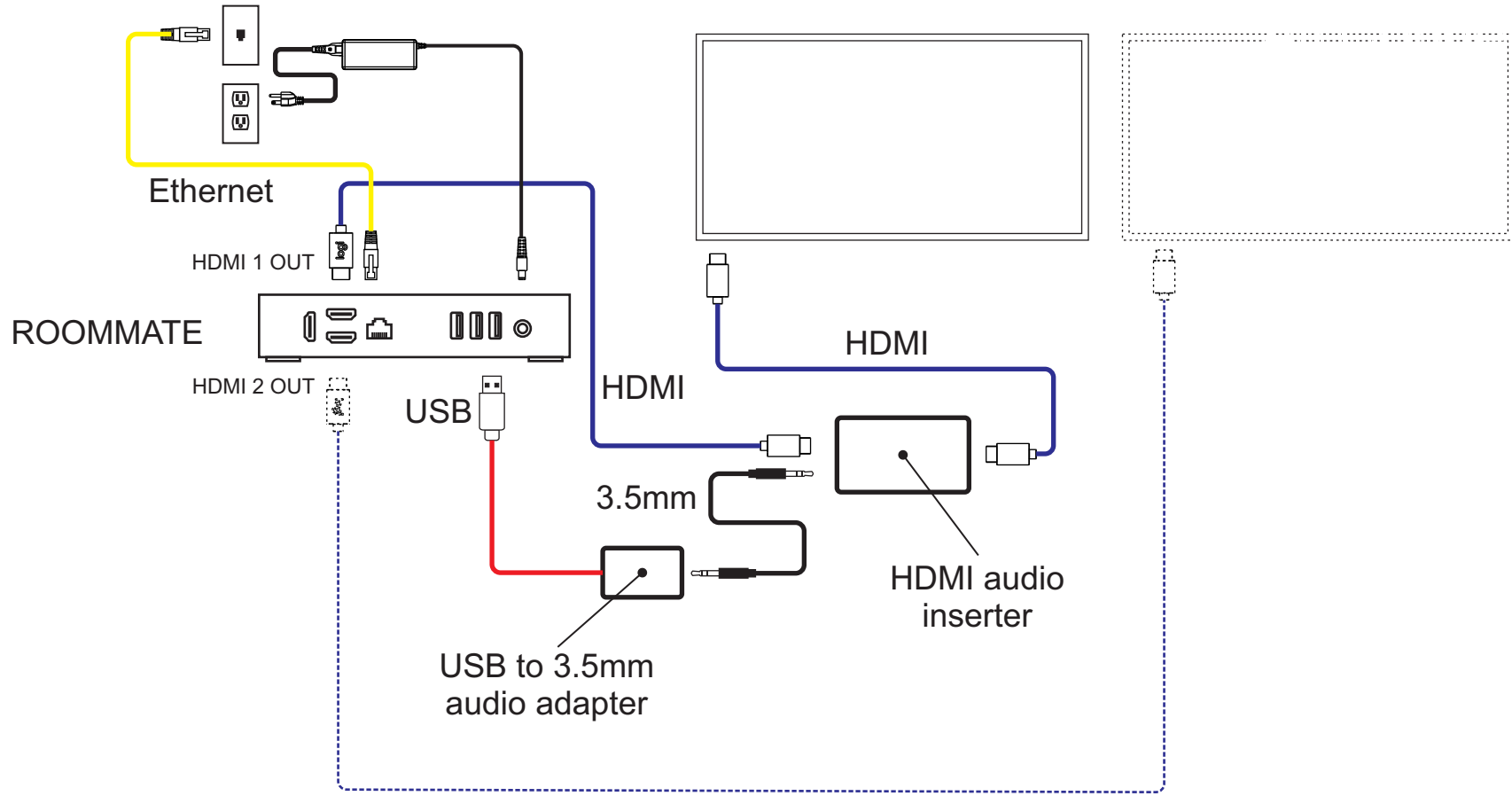
CAT ■
 USB ■
 HDMI ■





- CAT ■
- USB ■
- HDMI ■





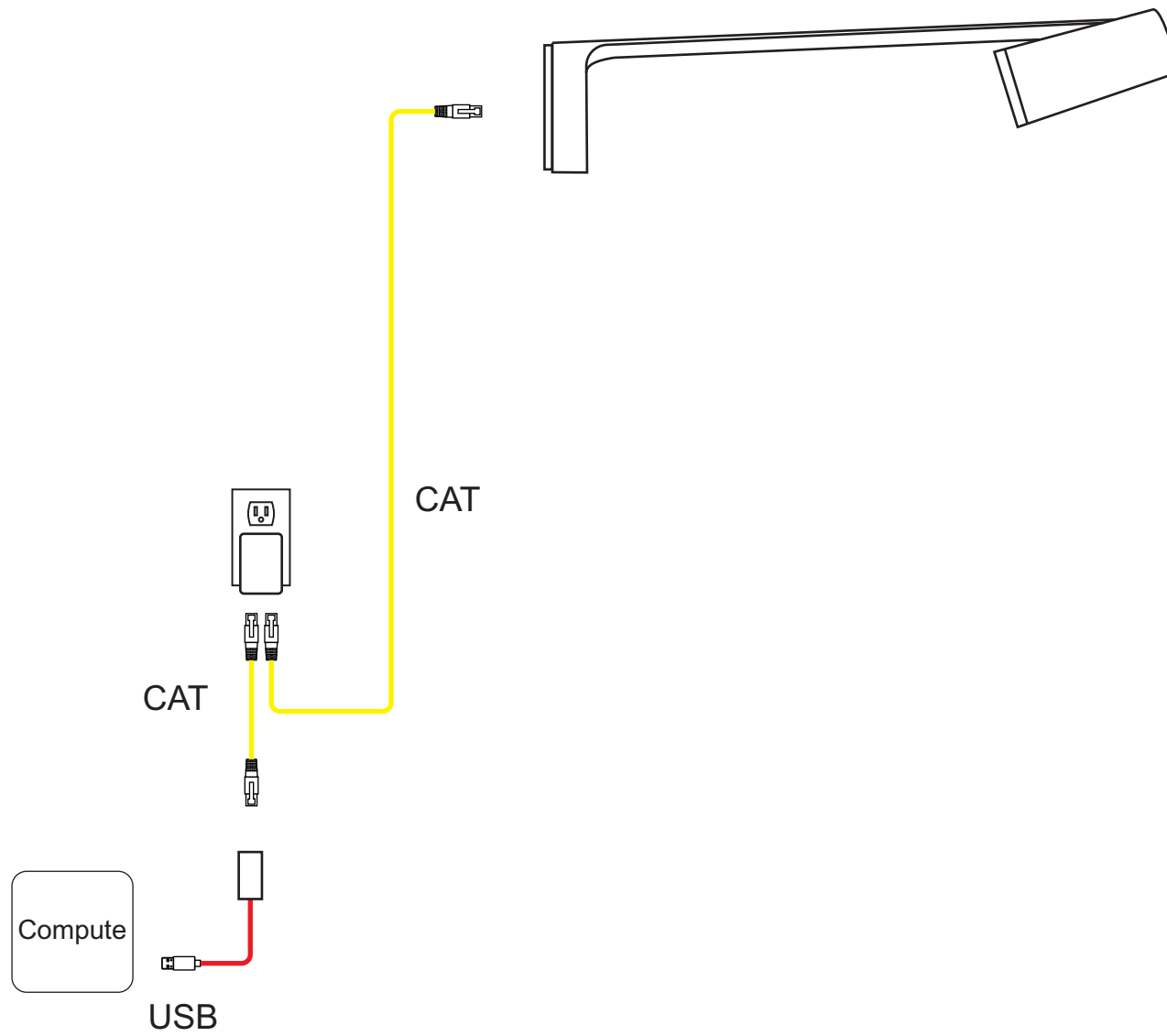
CAT ■
 USB ■
 HDMI ■



SCRIBE

[Table of Contents](#)

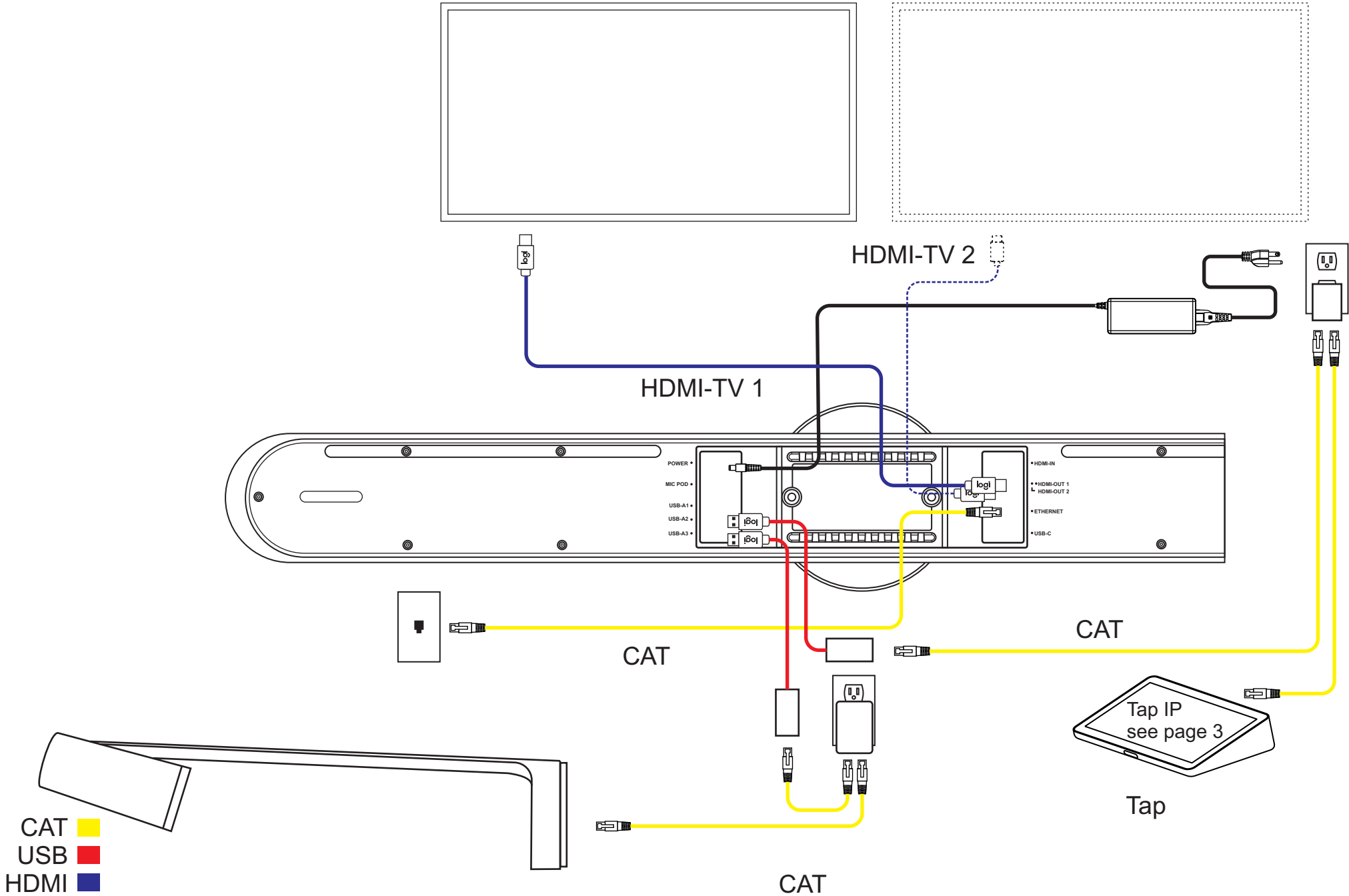




CAT 
USB 

logi

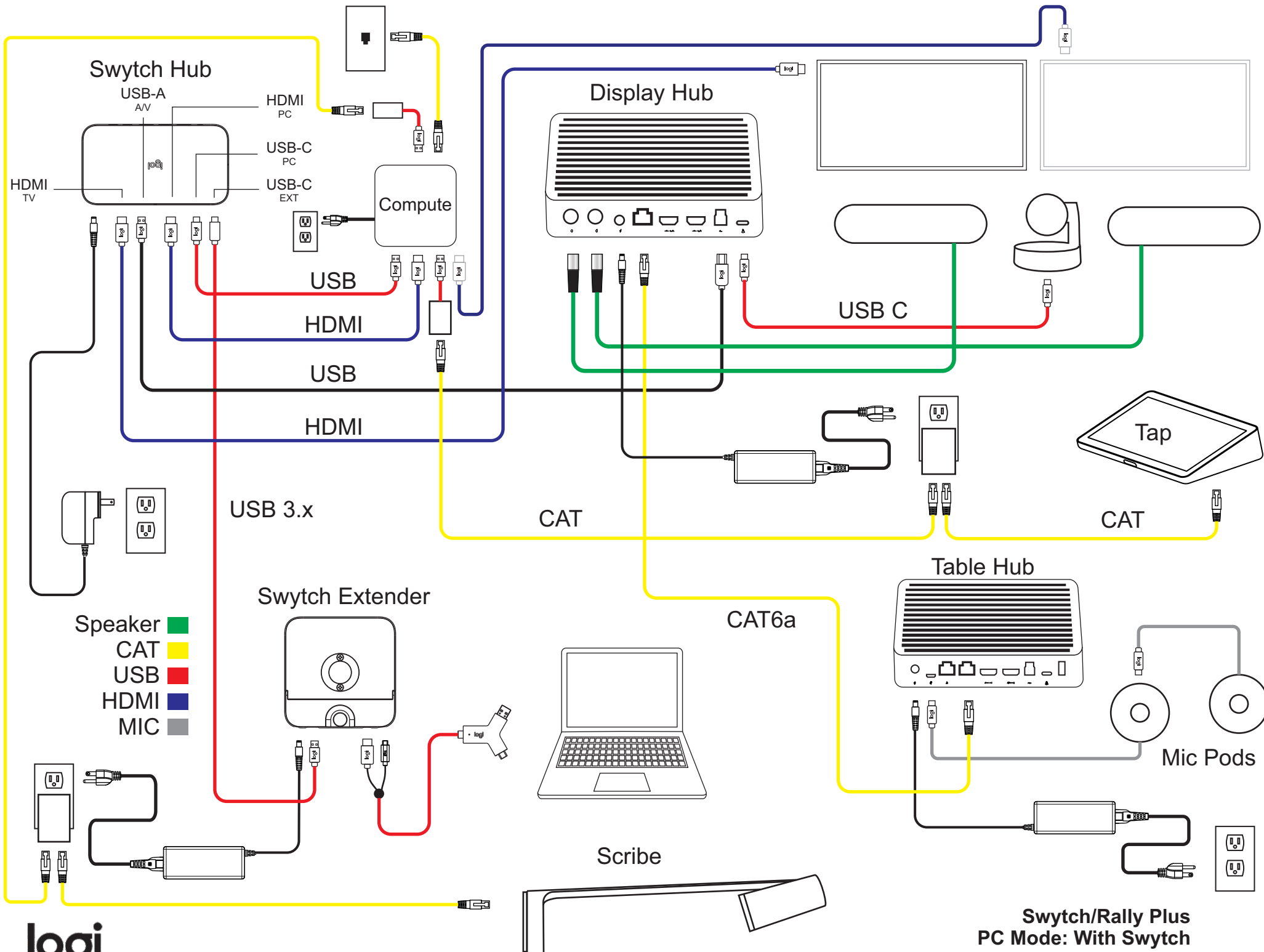
Scribe: PC connection



- CAT ■
- USB ■
- HDMI ■



Scribe: Android mode connection (VC application dependent)



SIGHT

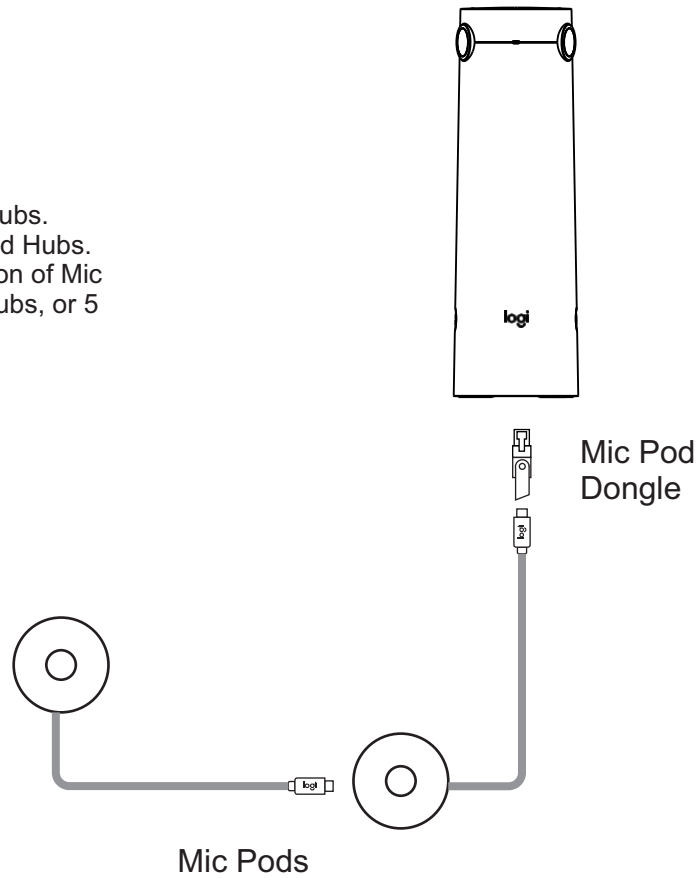
[Table of Contents](#)



Sight requires POE+ power (802.3at Type 2). This can be supplied by connecting to a POE+ network switch or an **active** POE+ power injector.




When using Sight

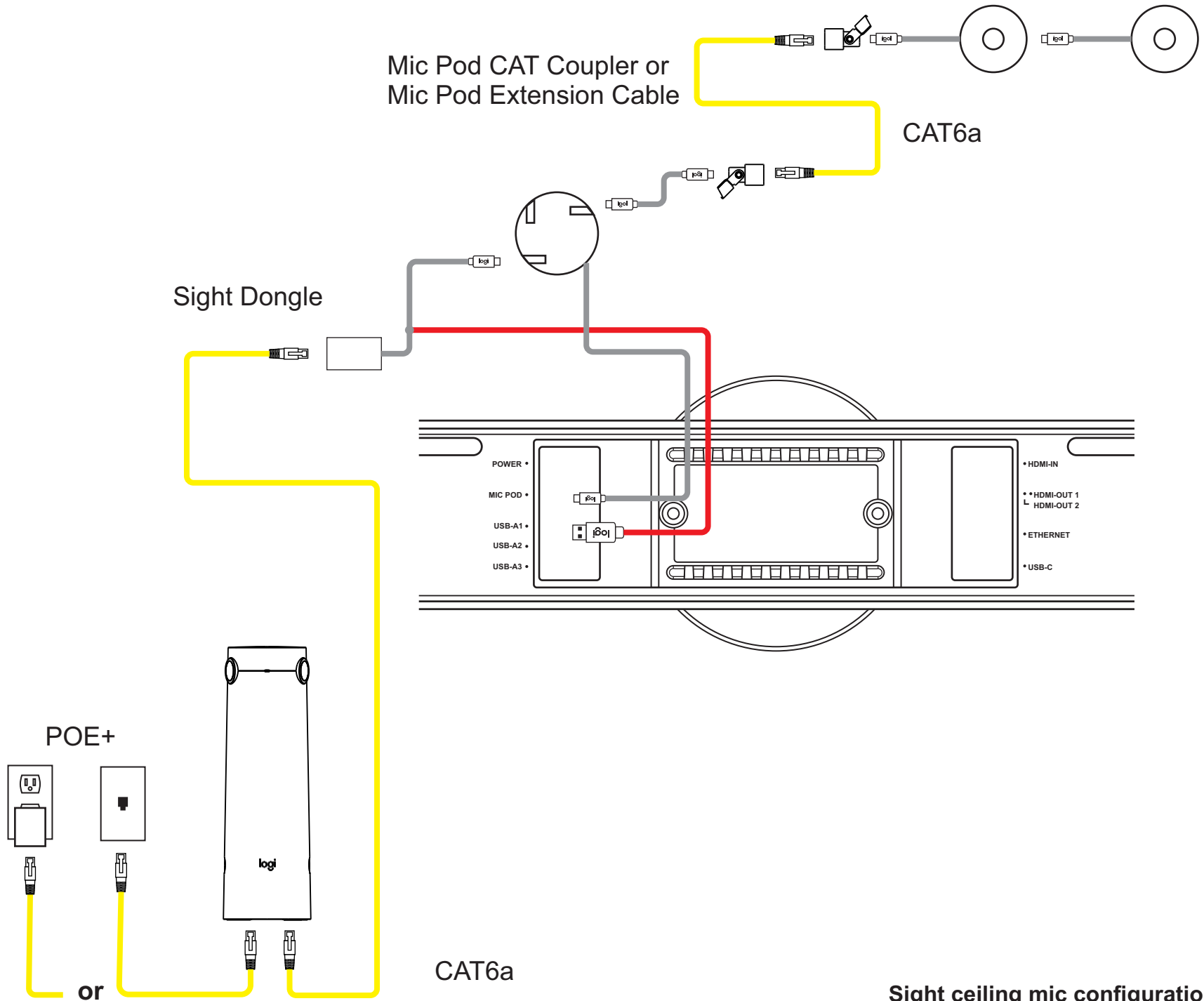
- Rally Bar supports up to 3 Mic Pods and 2 Mic Pod Hubs.
- Rally Bar Mini supports up to 2 Mic Pods and 2 Mic Pod Hubs.
- Rally and Rally Plus support up to 6 of any combination of Mic Pods or Mic Pod Hubs (ie. 4 Mic Pods + 2 Mic Pod Hubs, or 5 Mic Pods and 1 Mic Pod Hub). Coming soon.



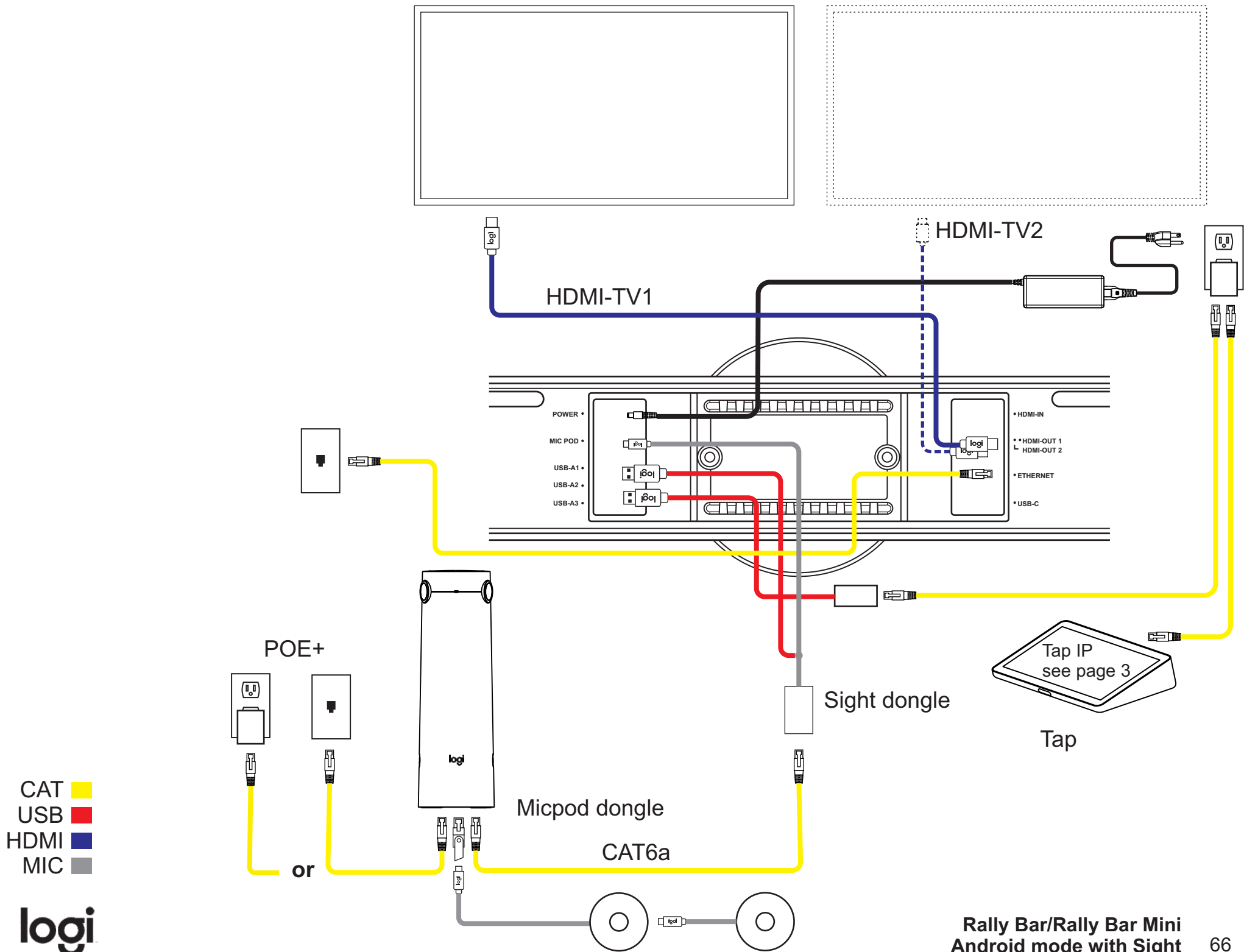
MIC ■

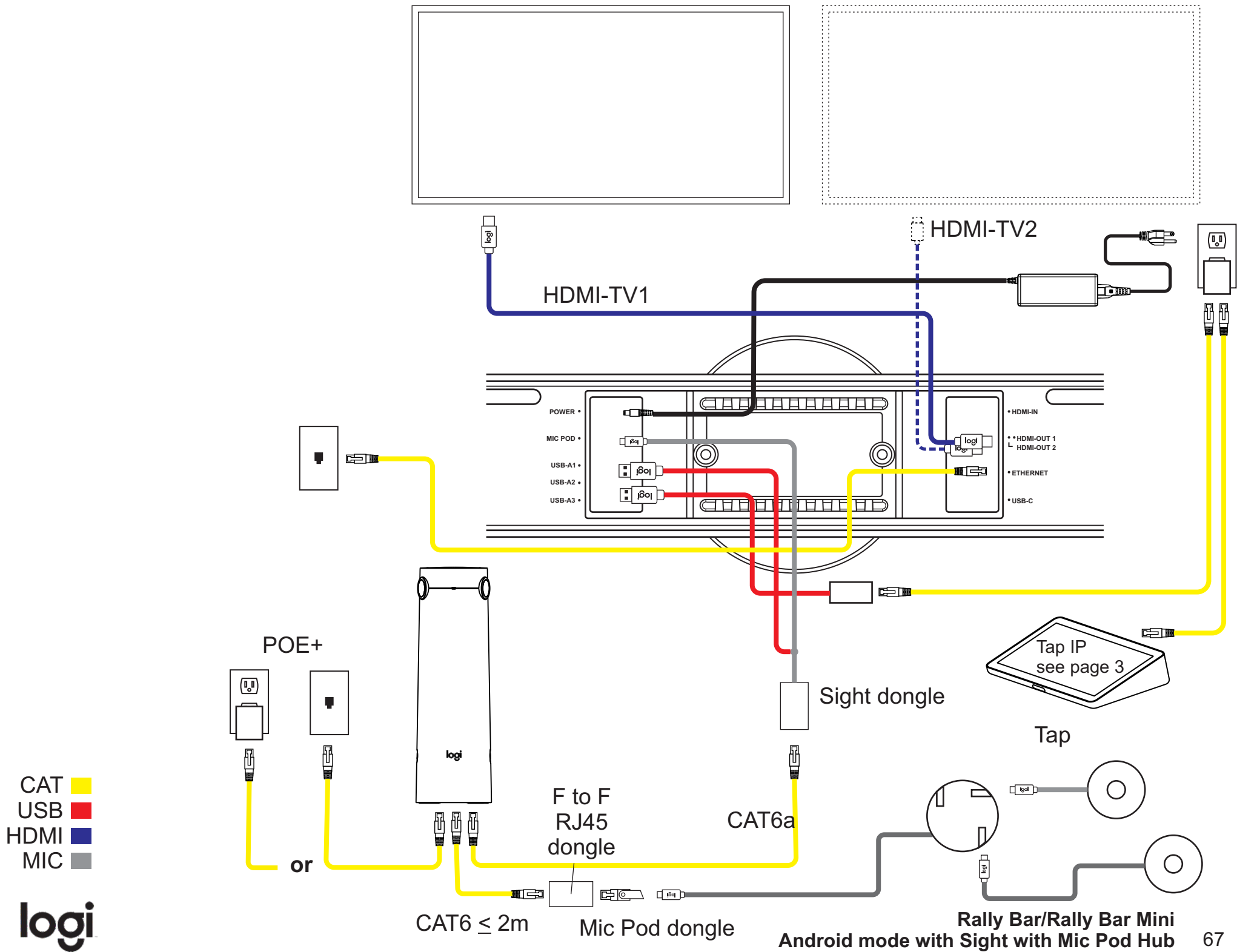


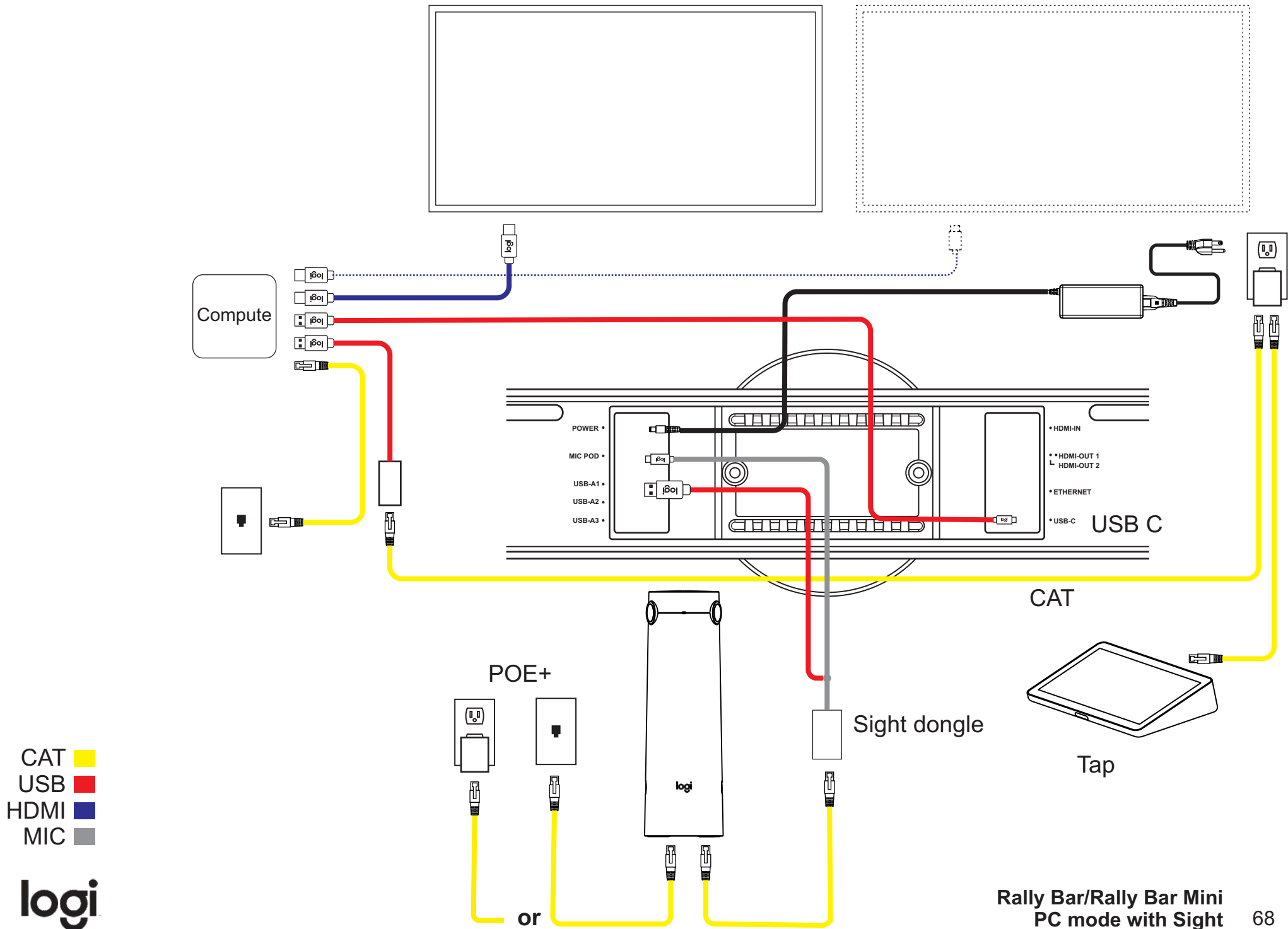
CAT 
USB 
MIC 



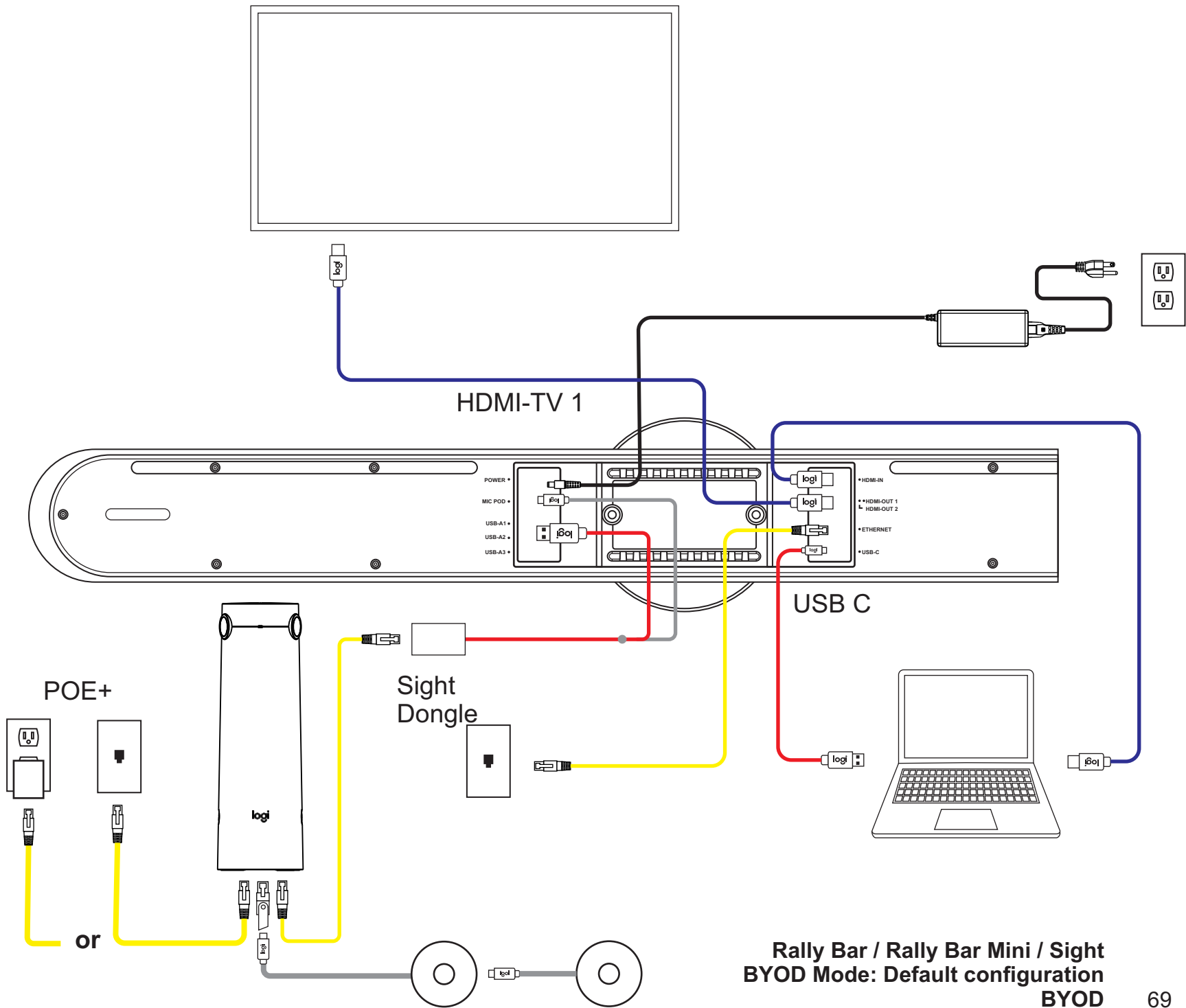
**Sight ceiling mic configuration
Applies to Android or USB setups
Mic Pod/Mic Pod Hub capacity is as noted on prior page
Requires CollabOS 1.12 or later**



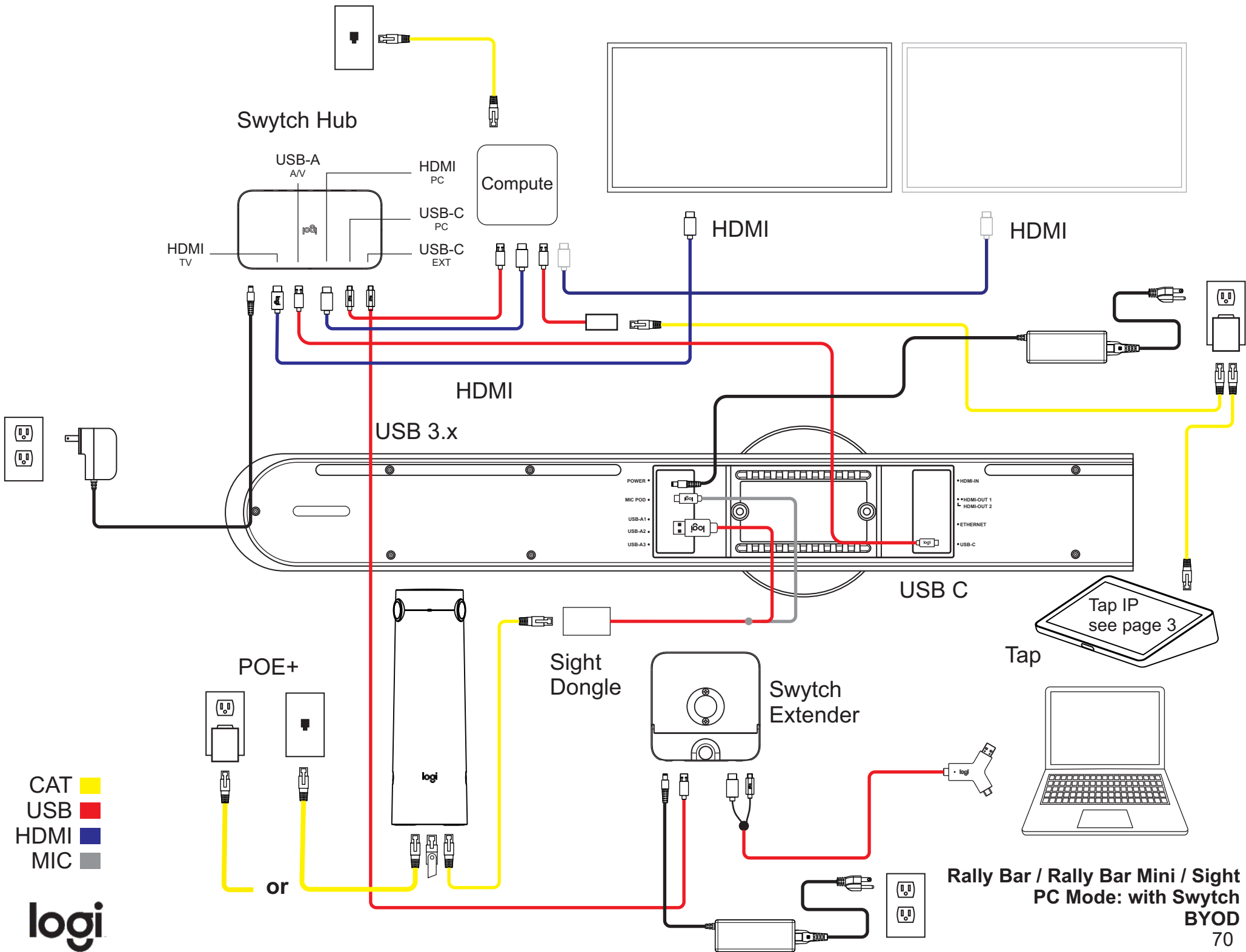


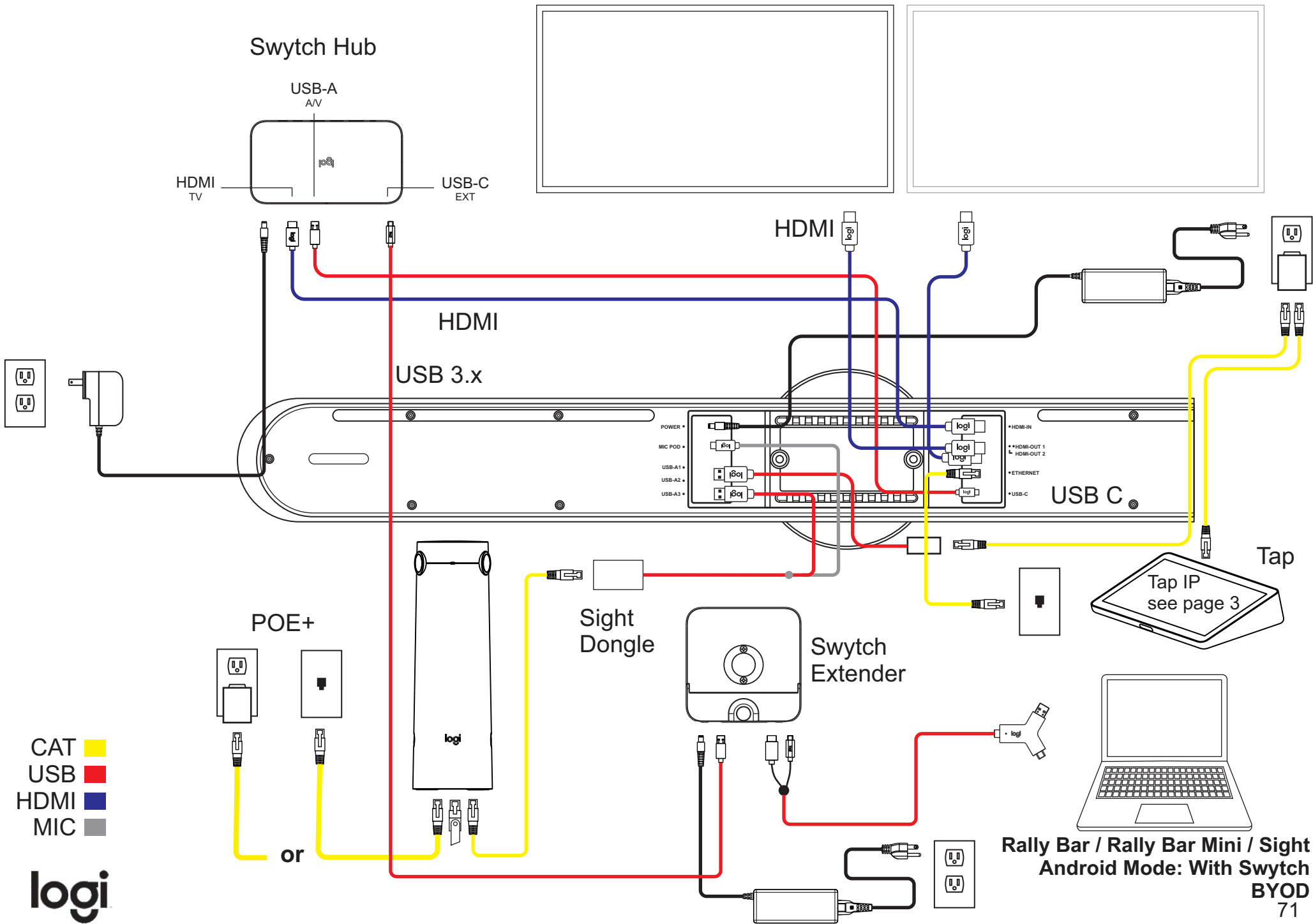


- CAT ■
- USB ■
- HDMI ■
- MIC ■



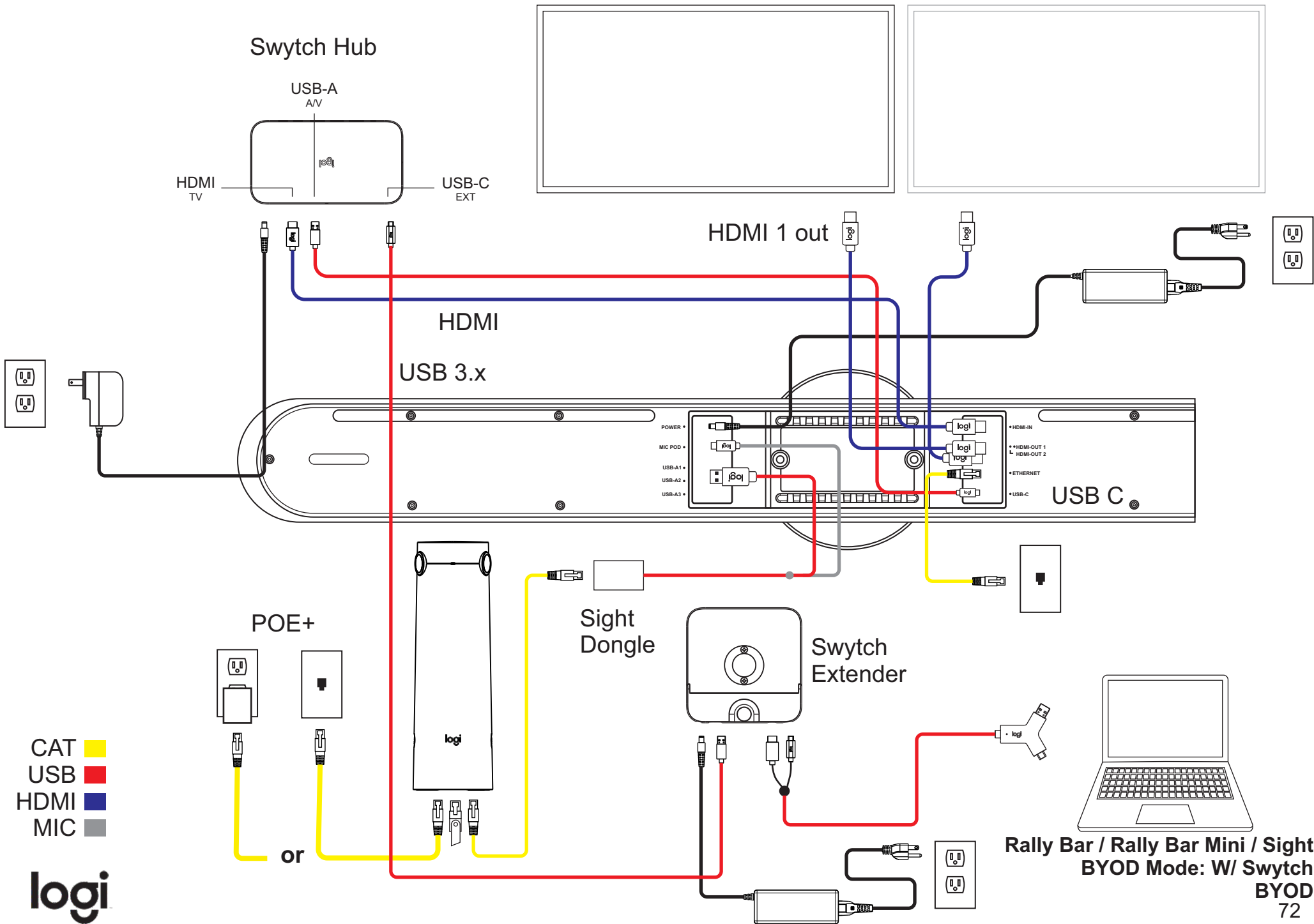
**Rally Bar / Rally Bar Mini / Sight
BYOD Mode: Default configuration
BYOD**



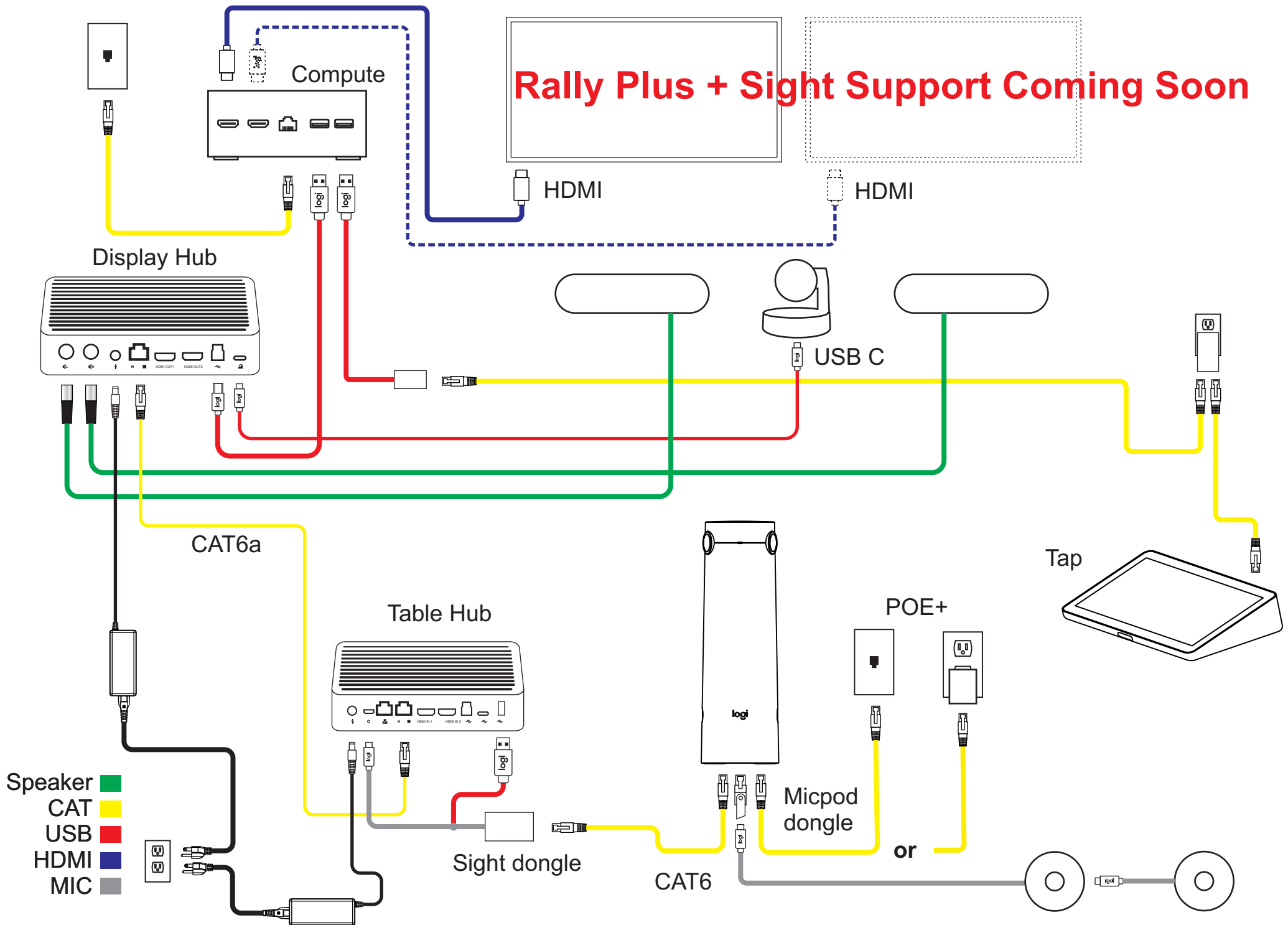


- CAT ■
- USB ■
- HDMI ■
- MIC ■

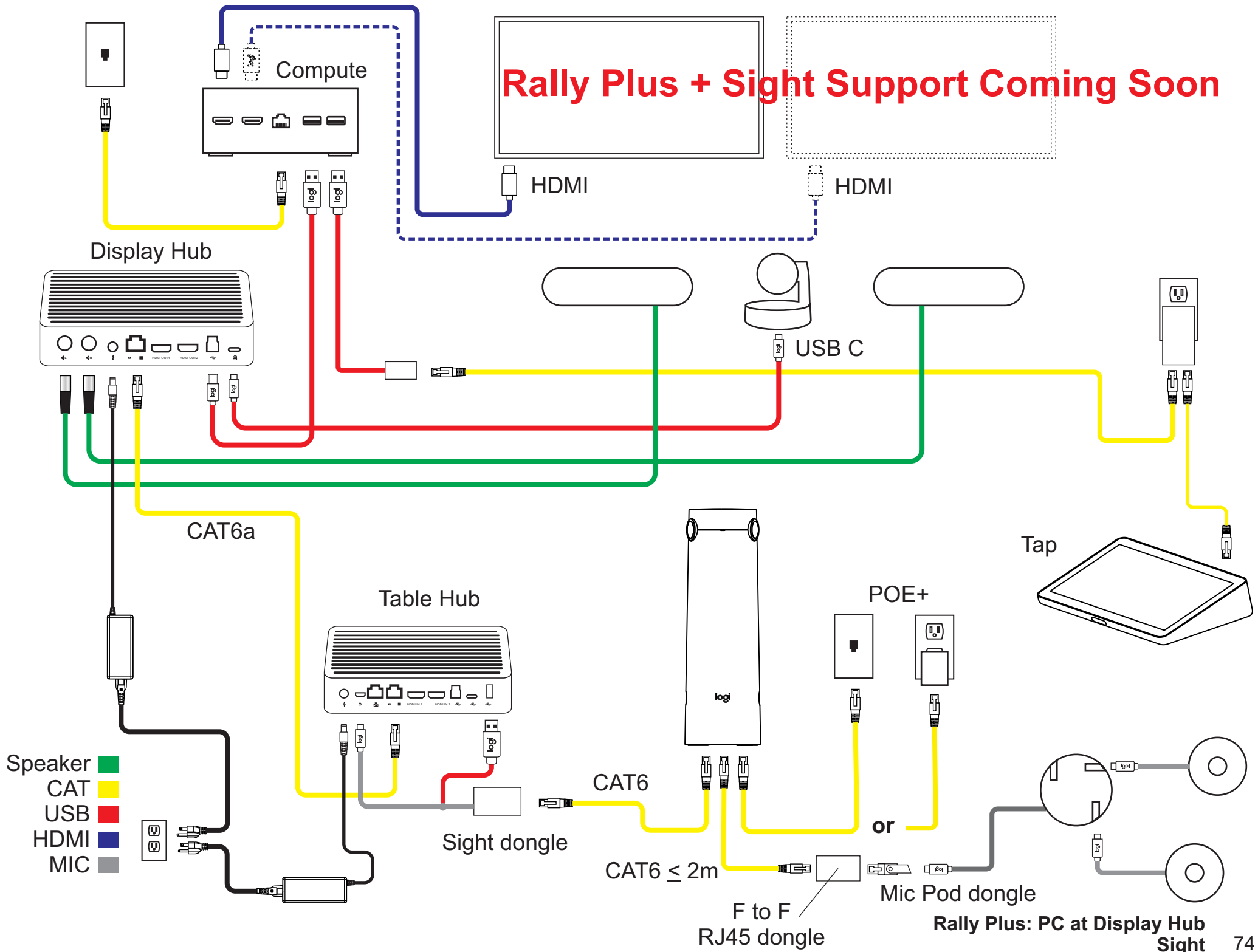




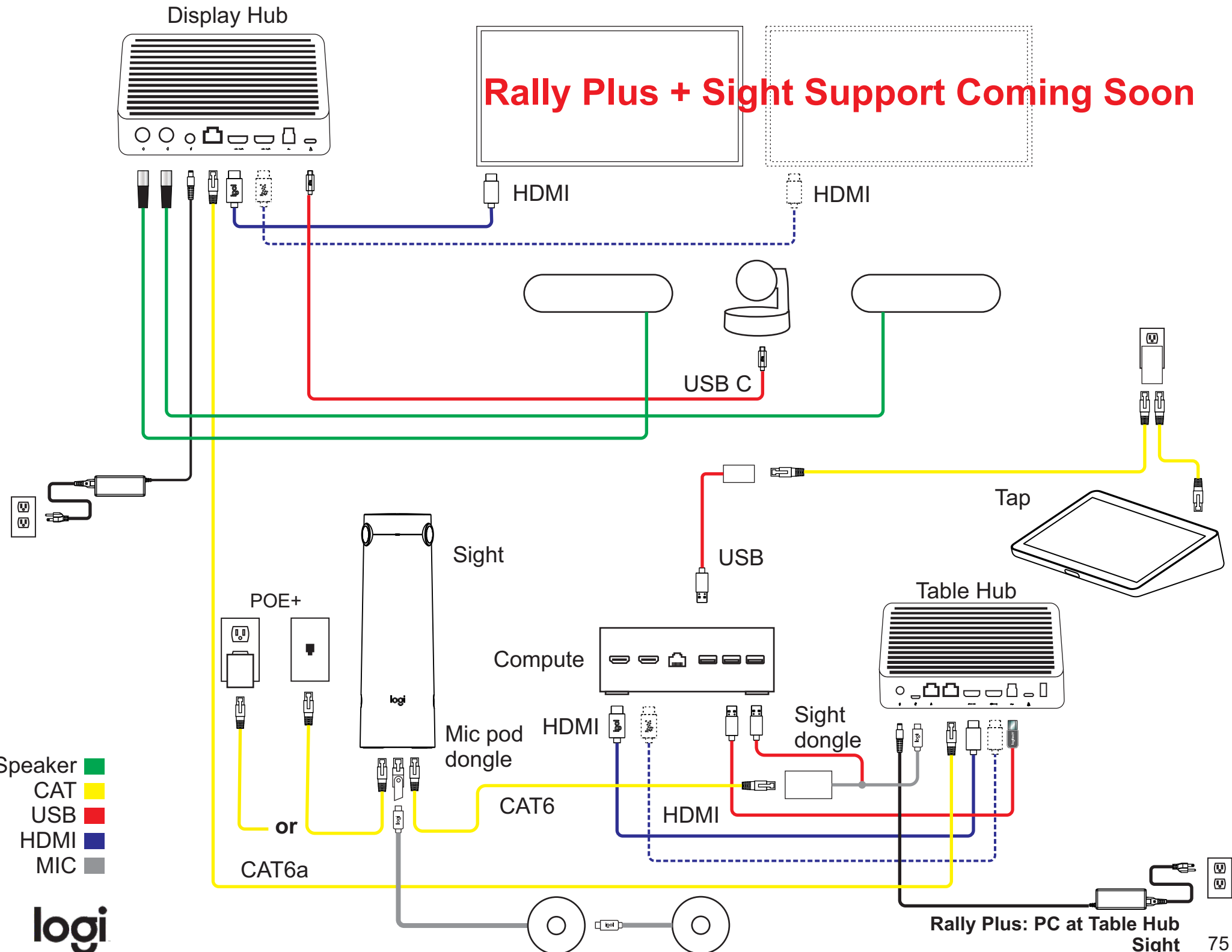
Rally Plus + Sight Support Coming Soon



Rally Plus + Sight Support Coming Soon



Rally Plus + Sight Support Coming Soon



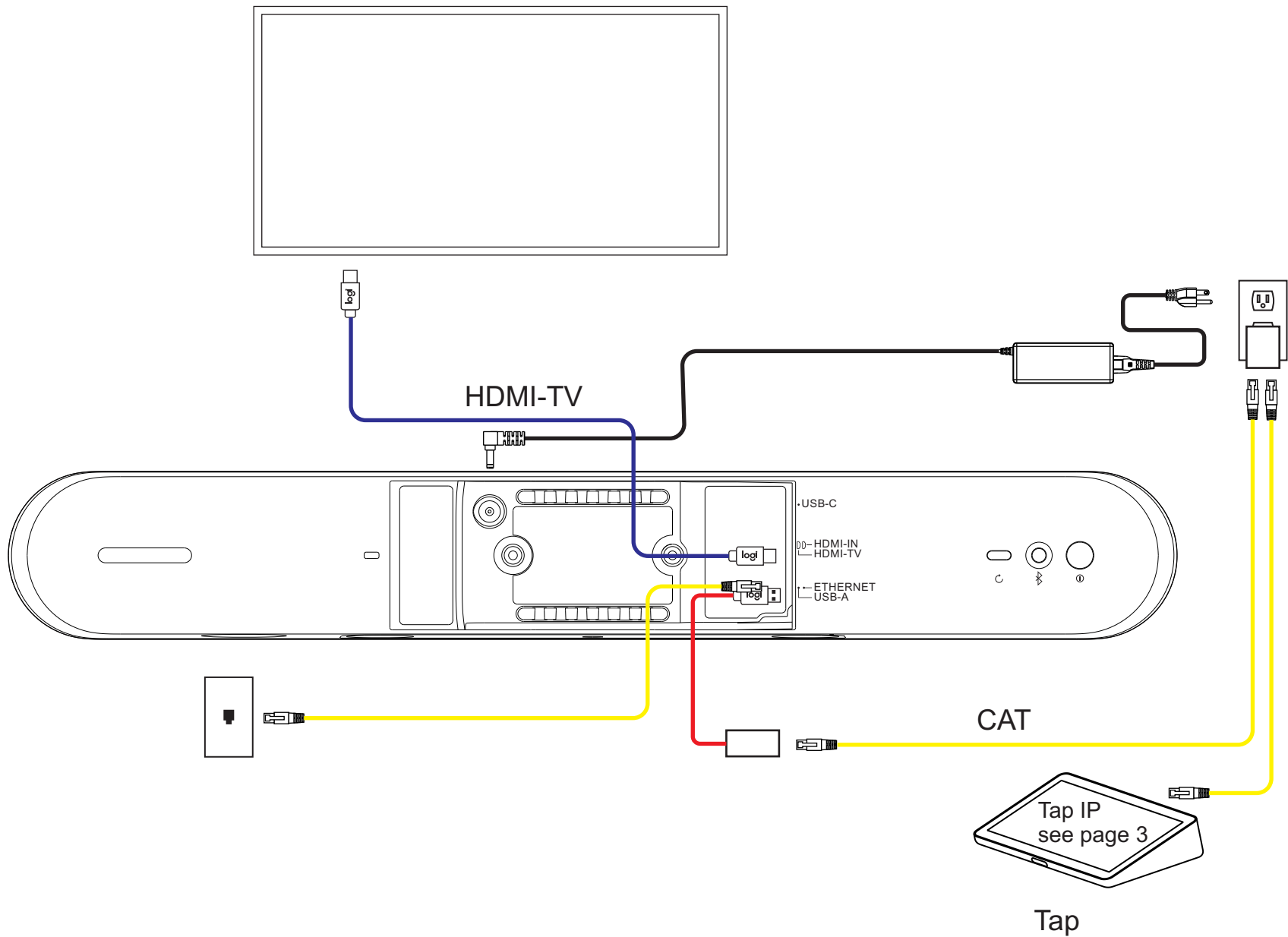
- Speaker ■
- CAT ■
- USB ■
- HDMI ■
- MIC ■



RALLY BAR HUDDLE IN ANDROID MODE

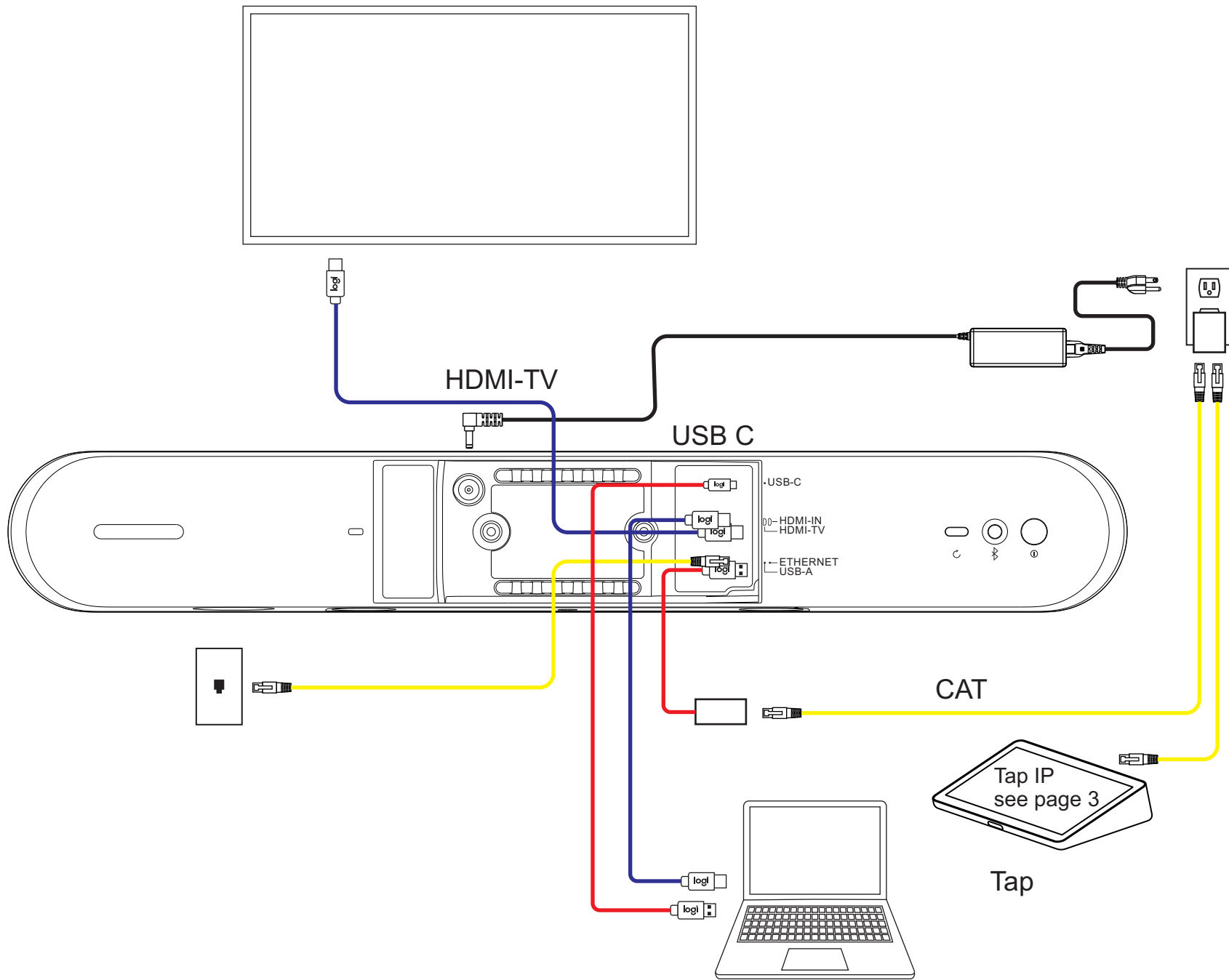
[Table of Contents](#)





- CAT
- USB
- HDMI





- CAT ■
- USB ■
- HDMI ■

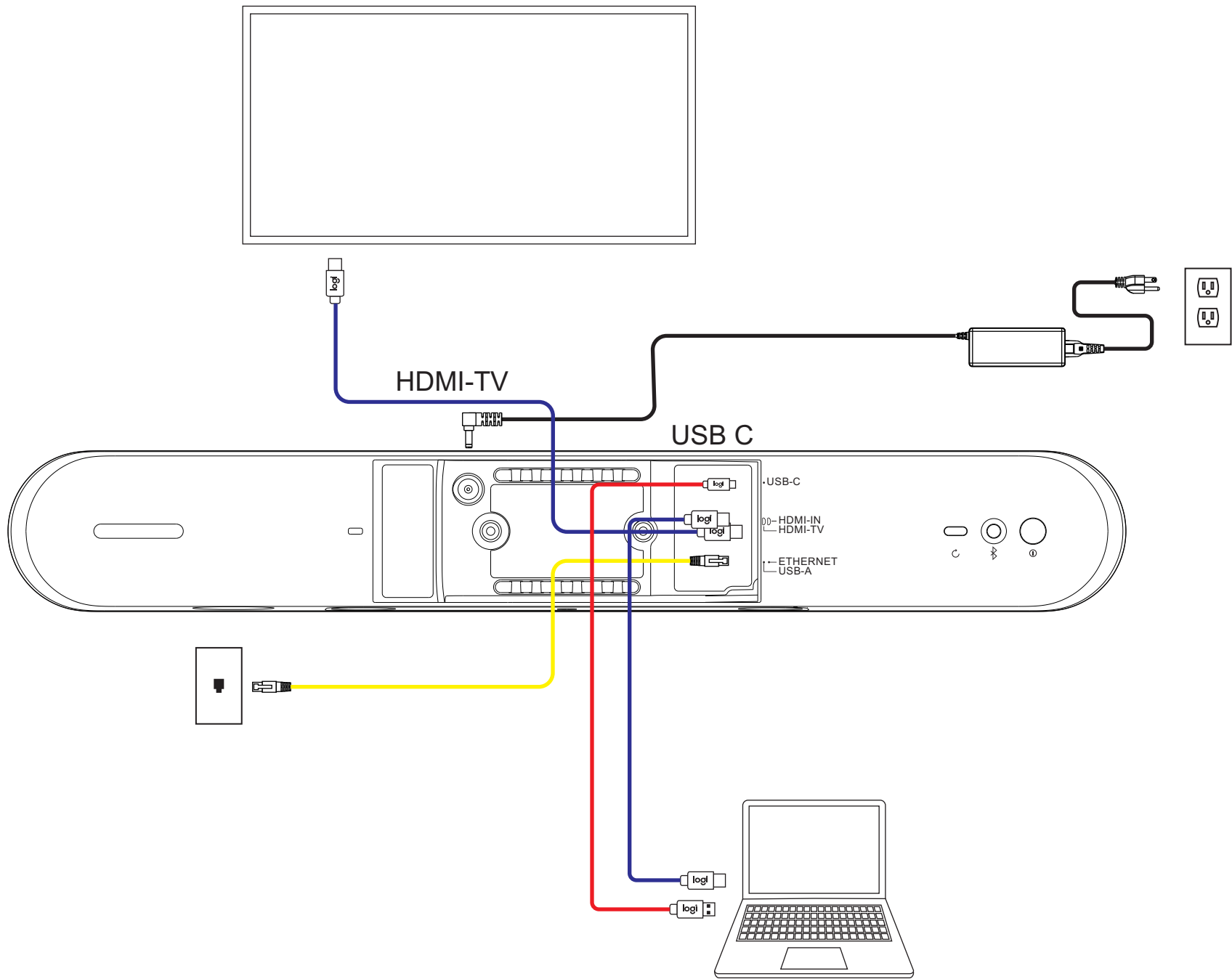


Rally Bar Huddle
Android Mode: Temporary switch to USB mode

RALLY BAR HUDDLE IN BYOD MODE

[Table of Contents](#)





CAT ■
 USB ■
 HDMI ■

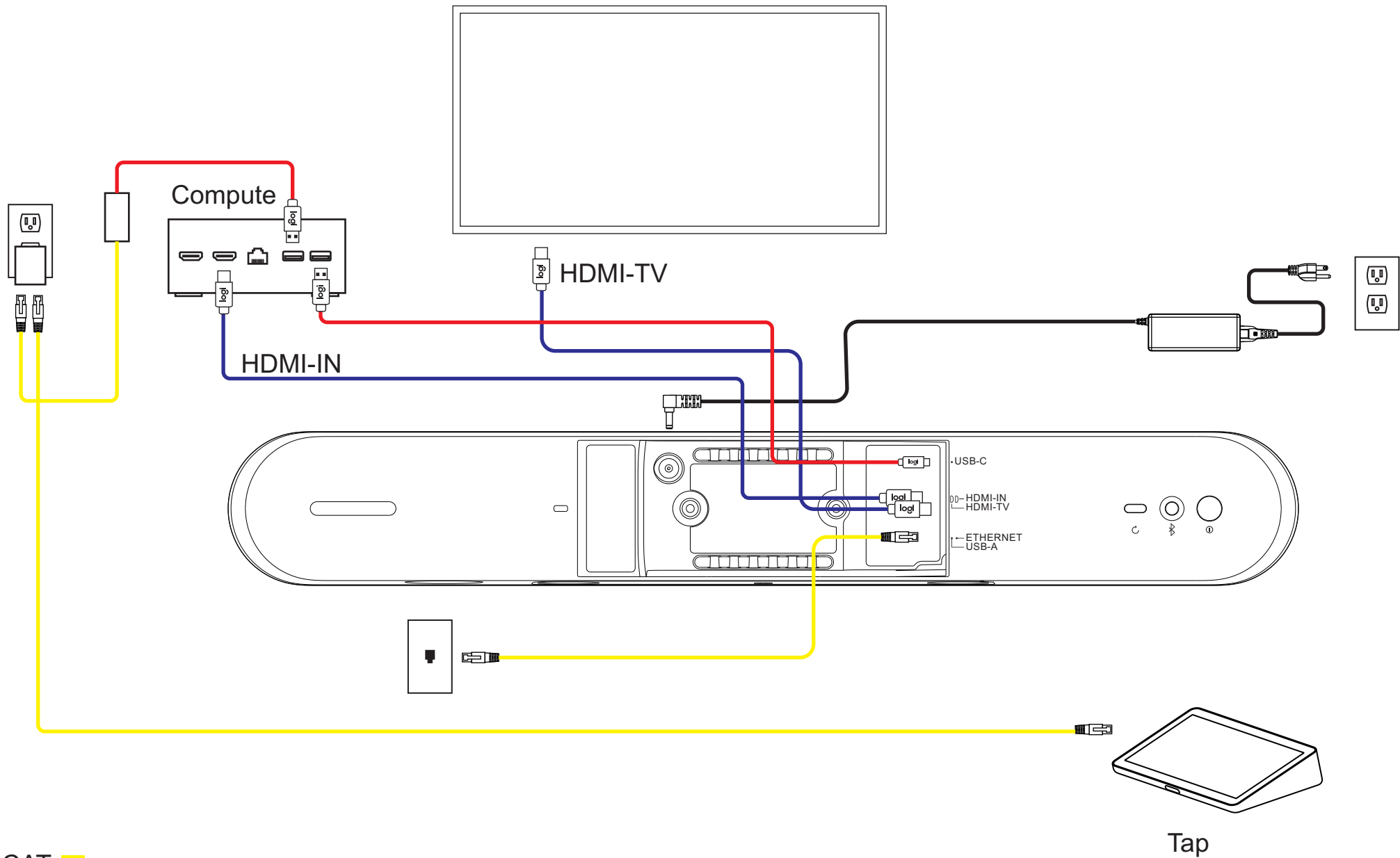


Rally Bar Huddle
BYOD Mode: Default configuration

RALLY BAR HUDDLE IN PC MODE

[Table of Contents](#)





CAT ■
 USB ■
 HDMI ■

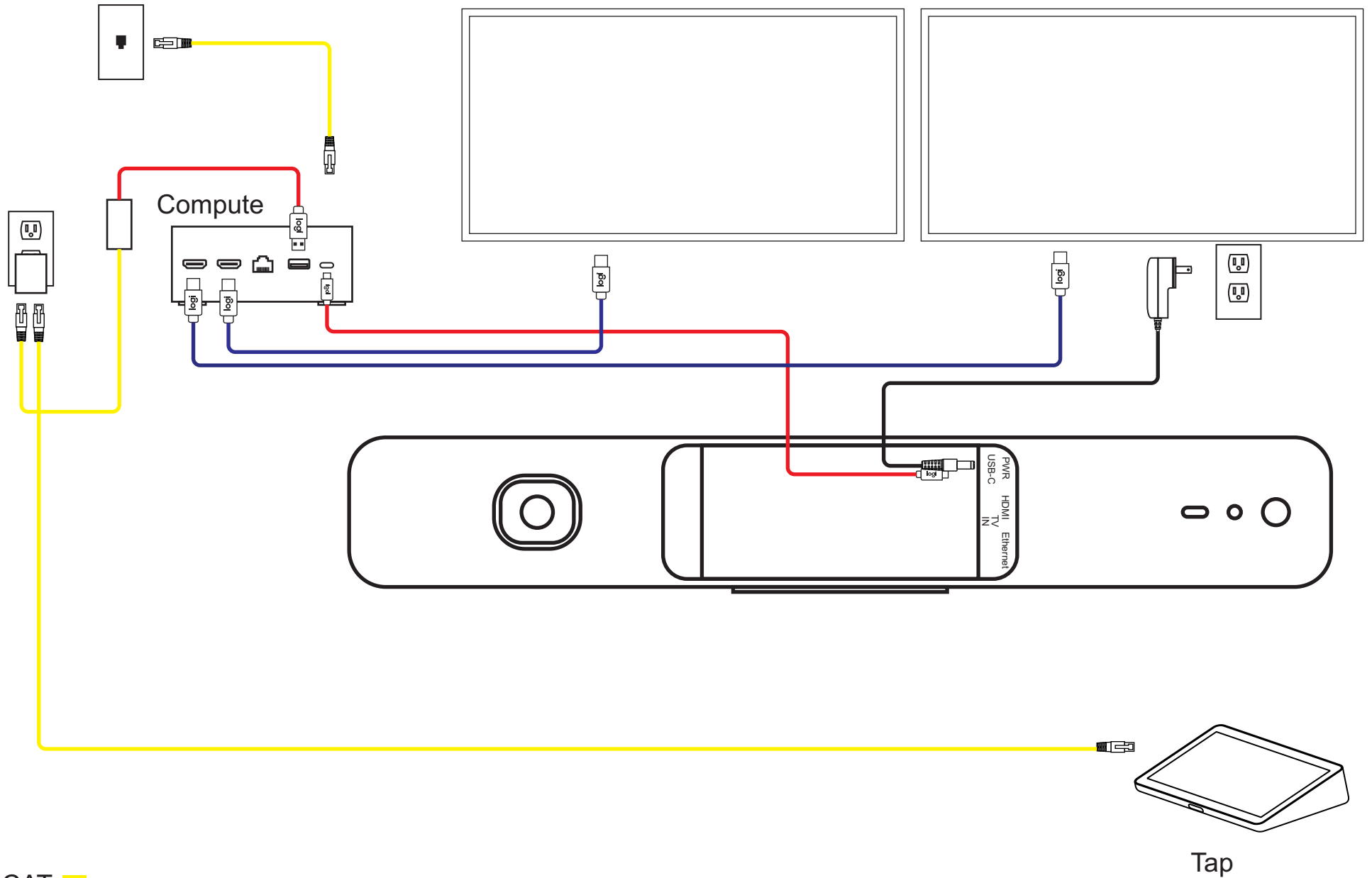


Rally Bar Huddle
PC Mode: Default configuration

MEETUP 2

[Table of Contents](#)

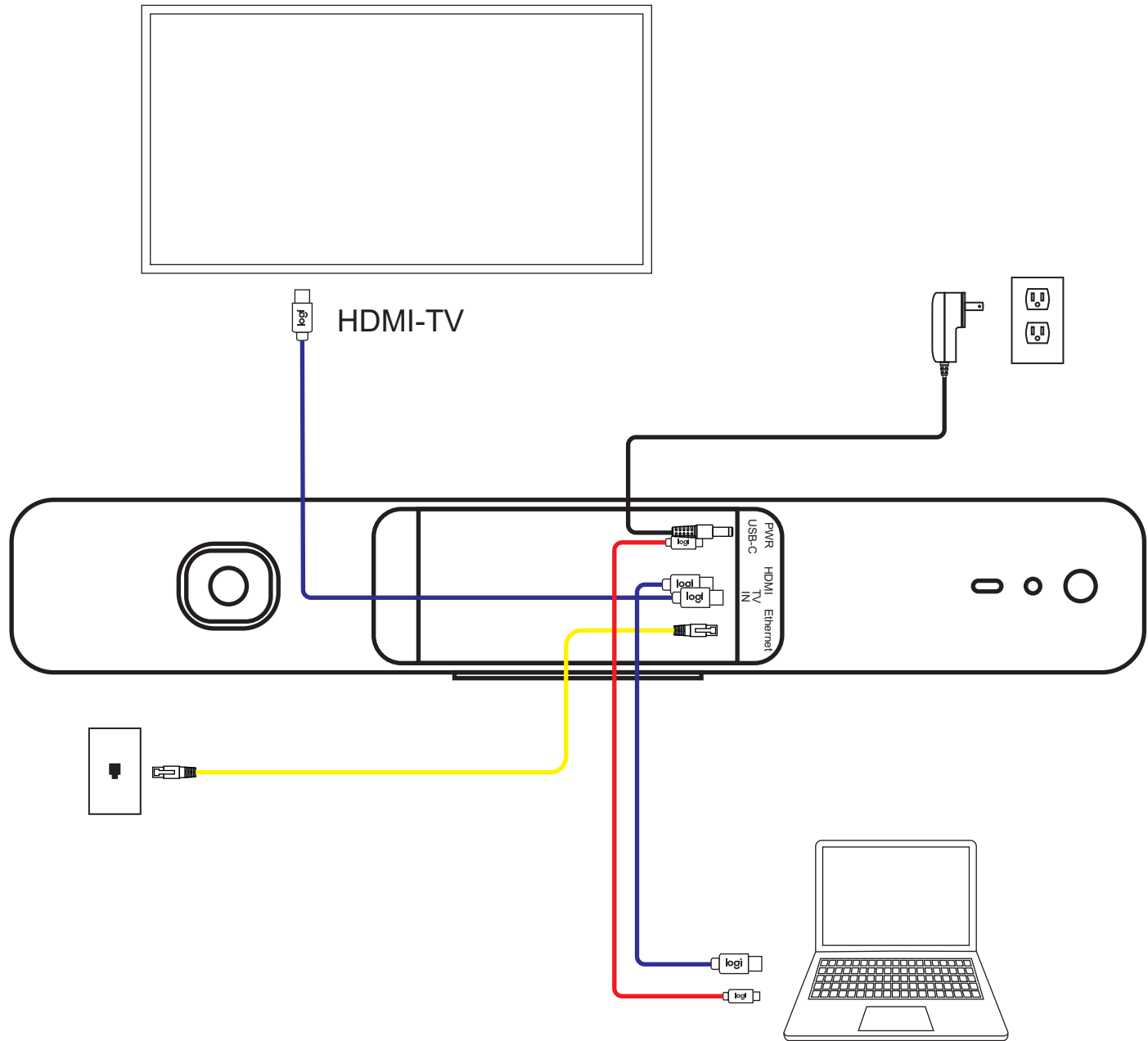




CAT ■
 USB ■
 HDMI ■



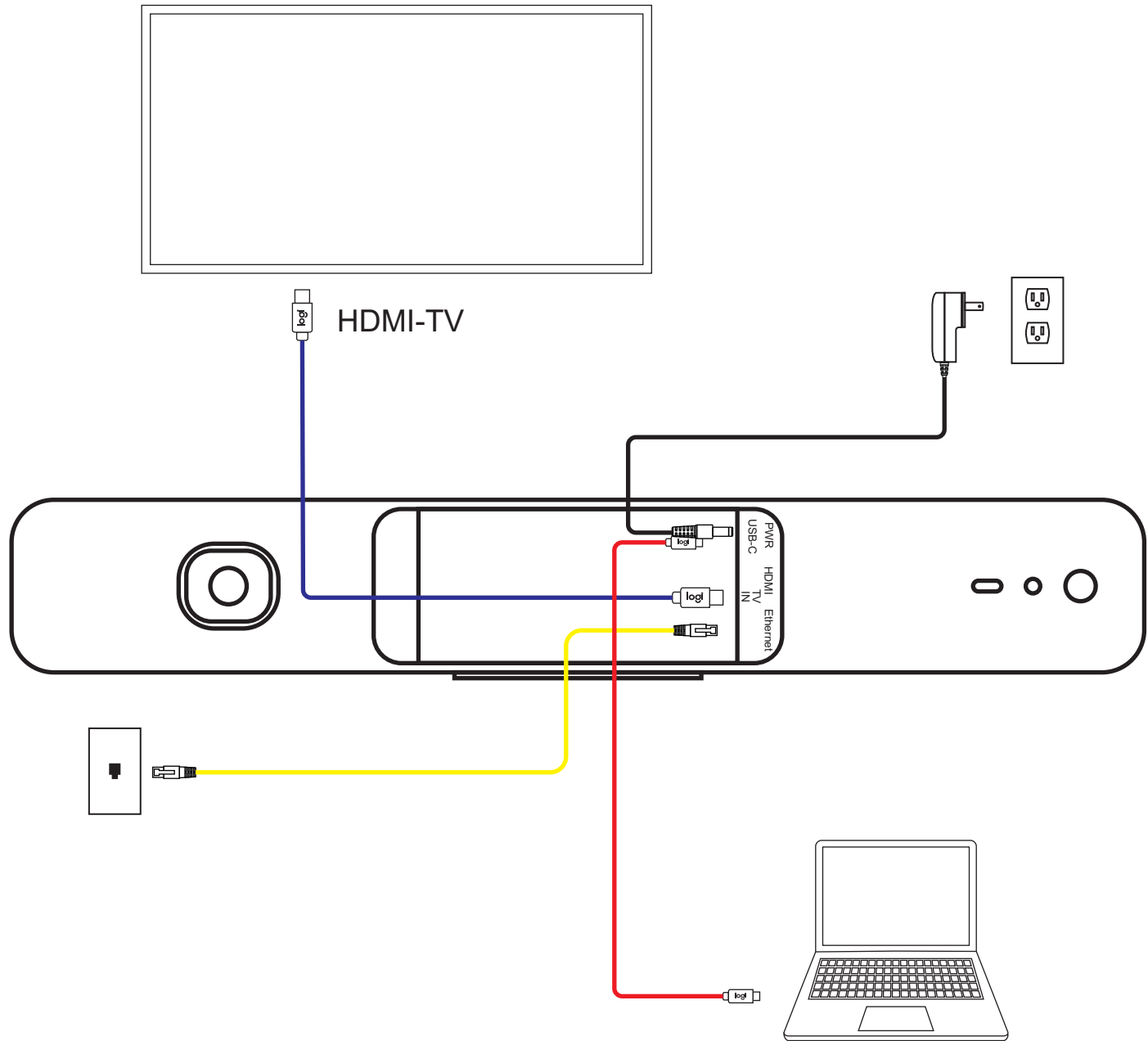
MeetUp 2
PC Mode: Dedicated PC configuration



CAT ■
 USB ■
 HDMI ■



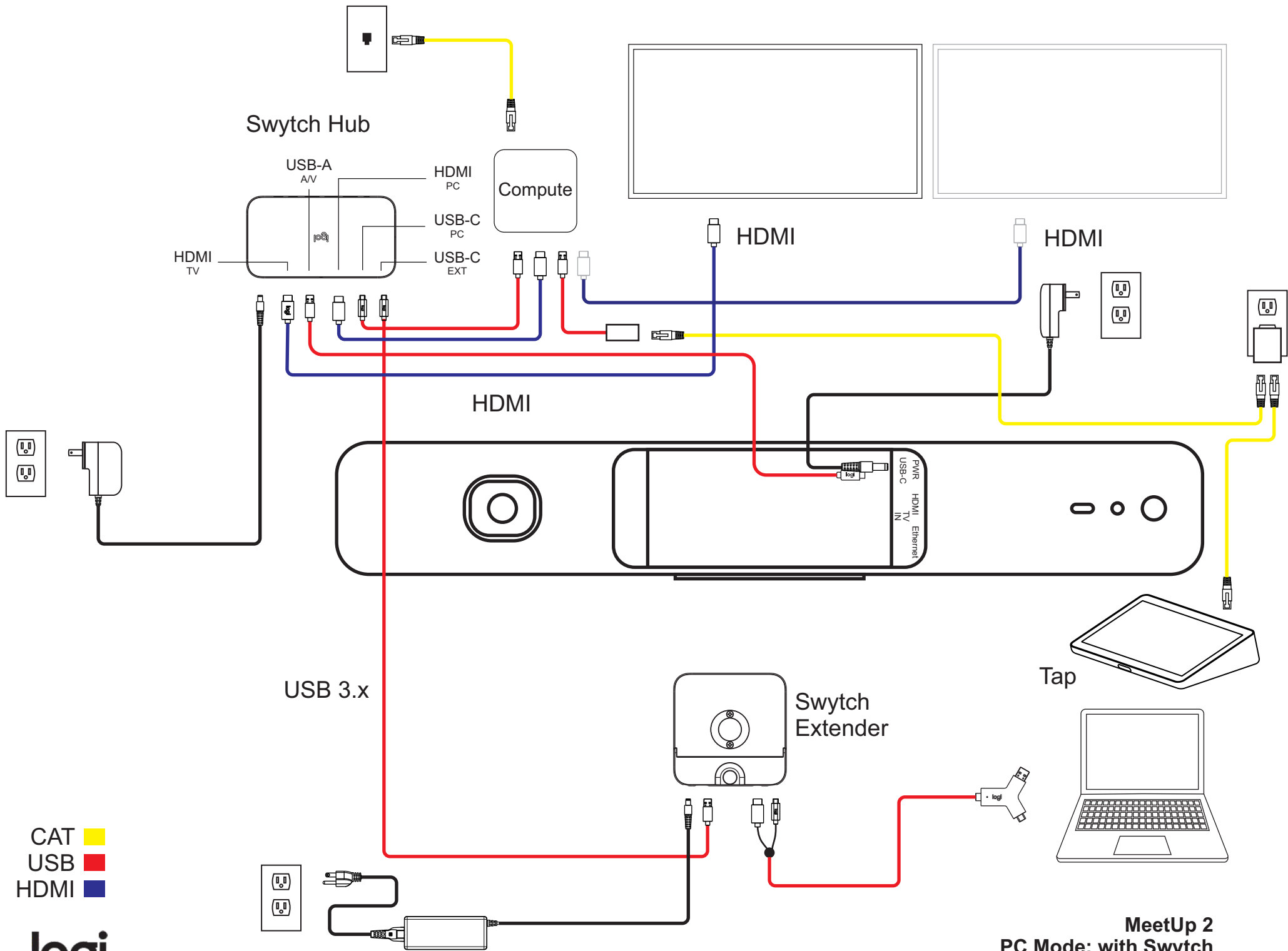
MeetUp 2
 PC Mode: BYOD configuration HDMI + USB



CAT ■
 USB ■
 HDMI ■



MeetUp 2
PC Mode: BYOD configuration w/ DP Alt Mode
Requires a USB Cable that supports DP Alt Mode



CAT ■
 USB ■
 HDMI ■

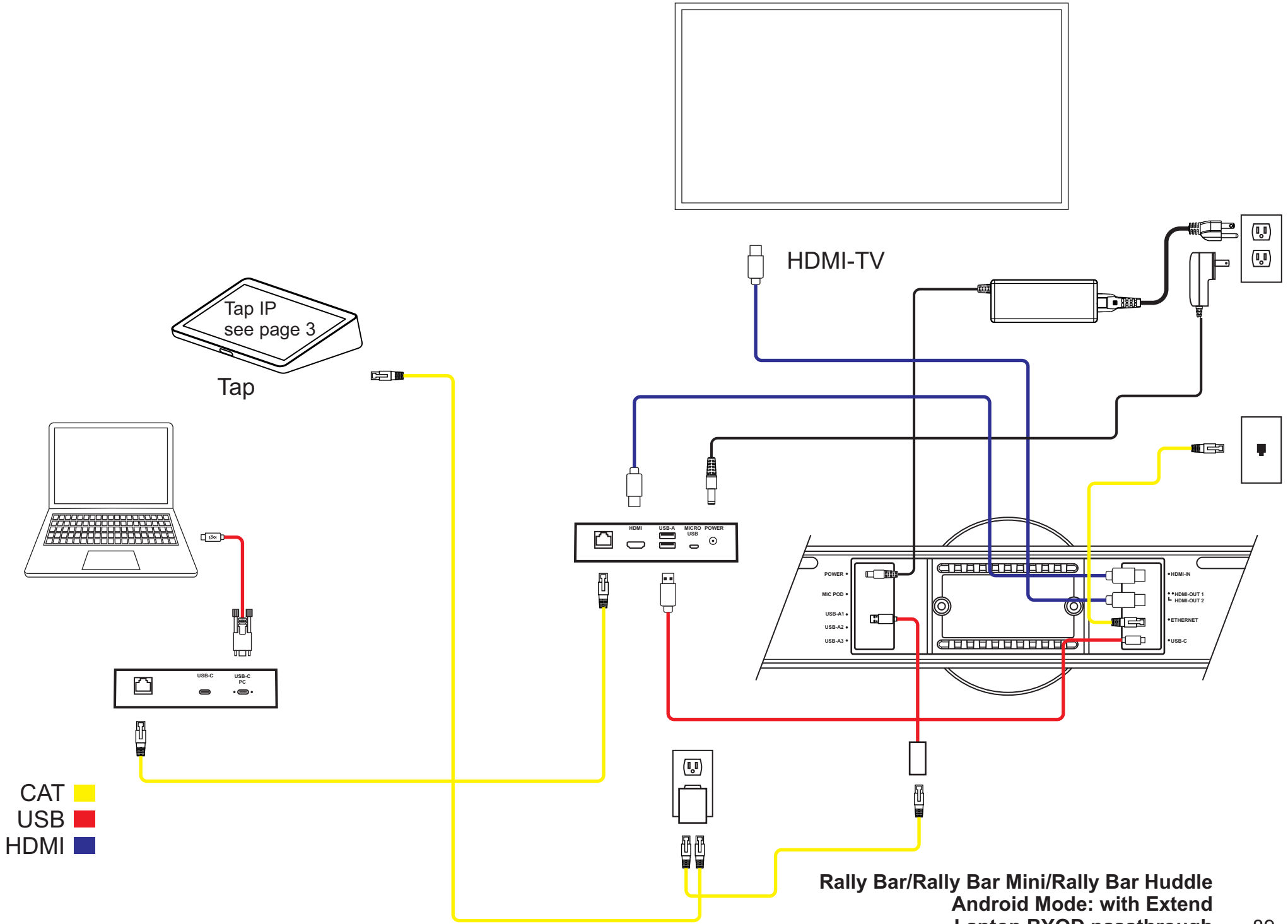


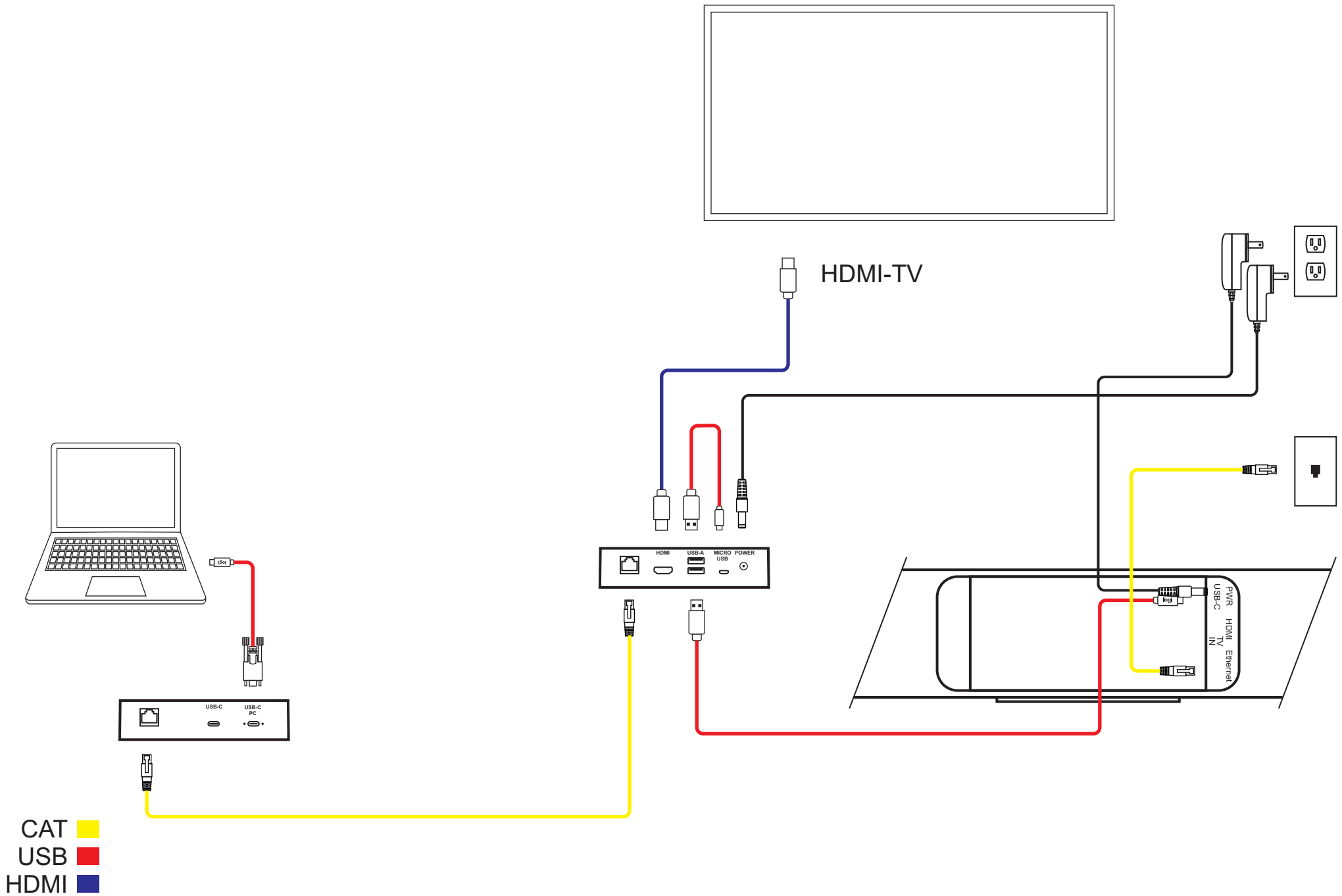
MeetUp 2
PC Mode: with Switch

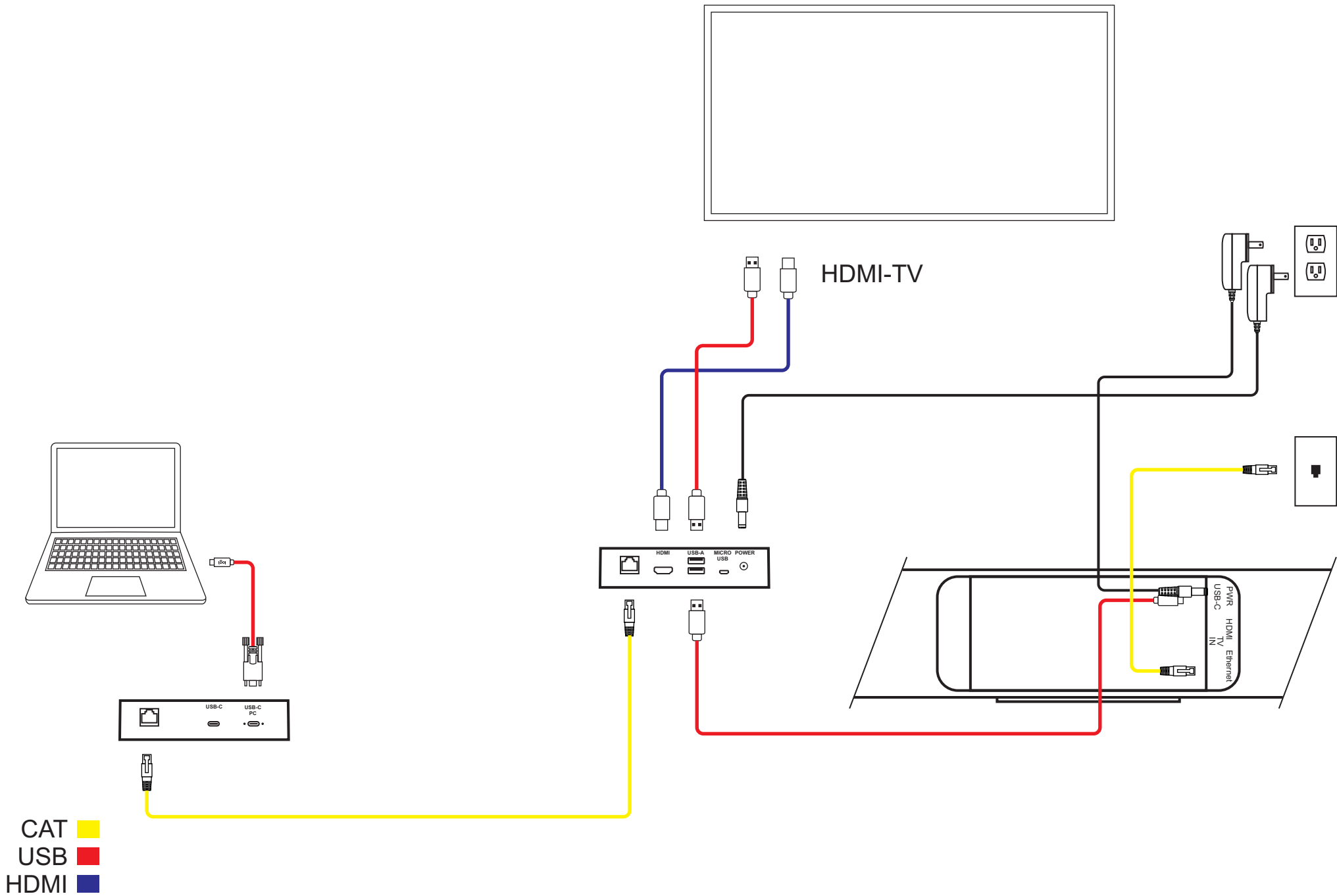
EXTEND

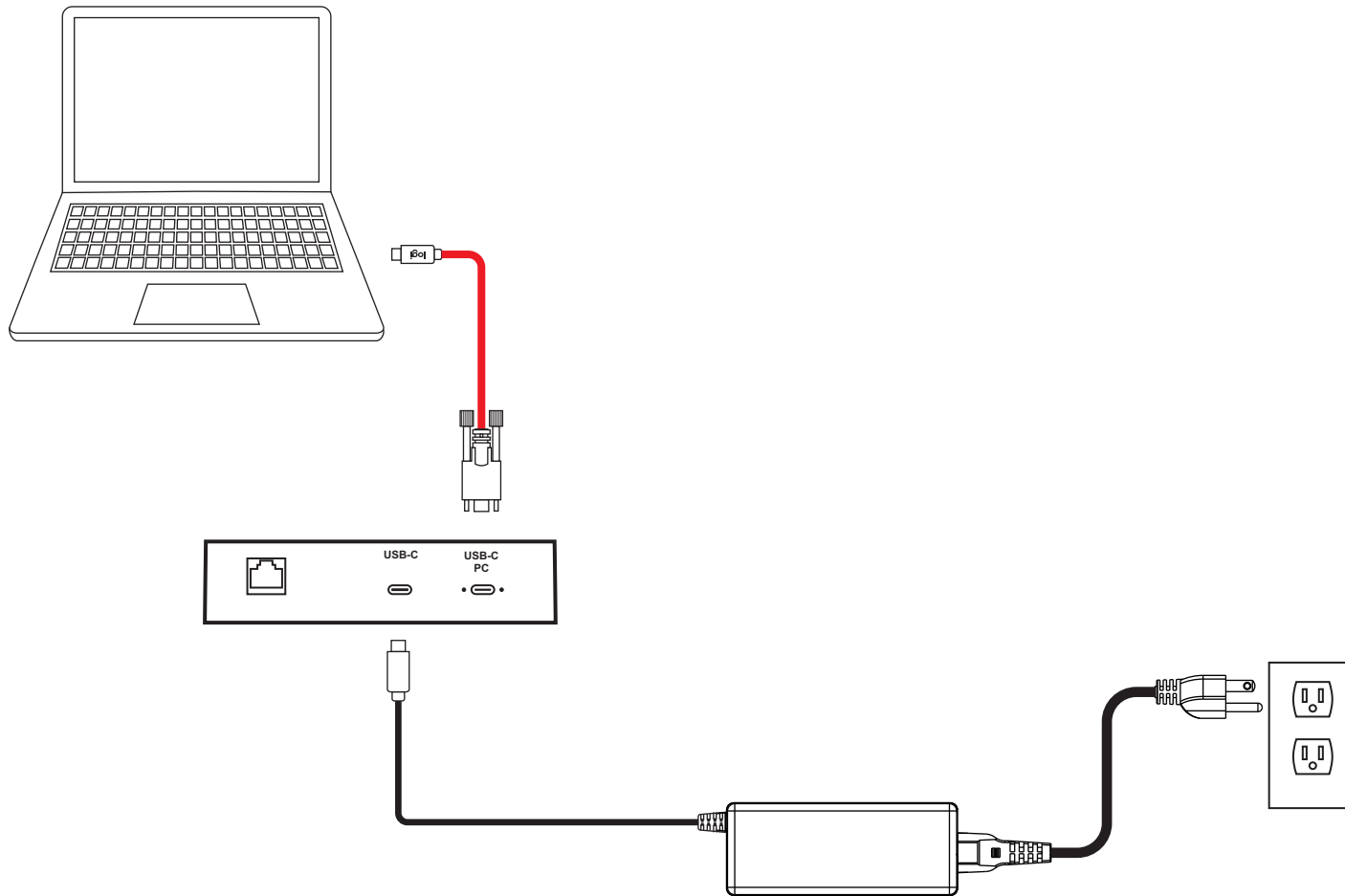
[Table of Contents](#)





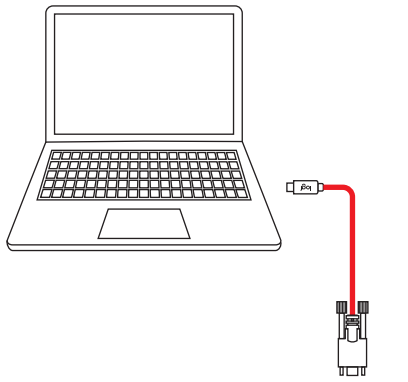




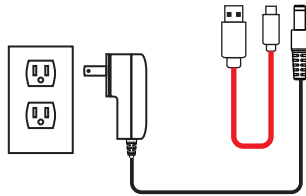
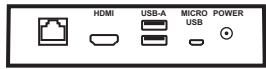


CAT ■
USB ■
HDMI ■

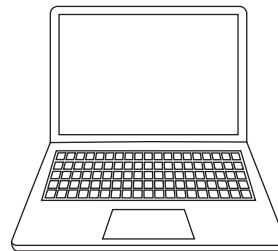
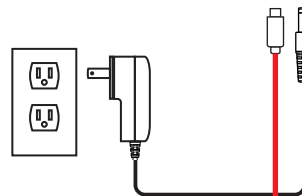
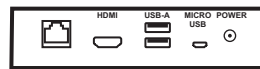
Power Delivery
In all configurations, a user-supplied laptop power supply can be connected to provide laptop power delivery



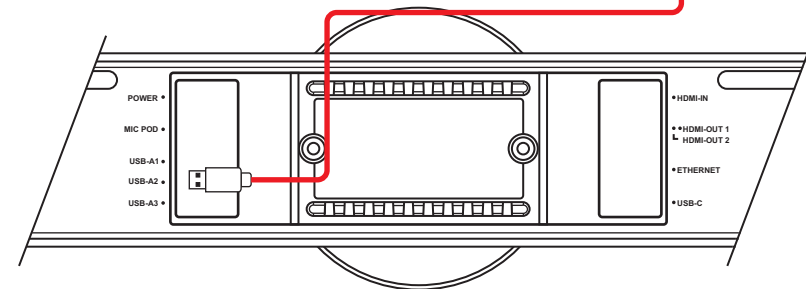
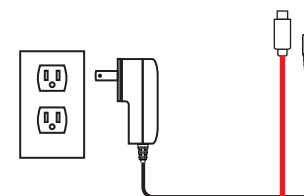
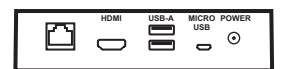
Manual update option 1
via Sync App



Manual update option 2
via Sync App



Update via Sync Portal (Sync
will update the bar and the
bar will update Extend)



CAT ■
USB ■

Firmware updating options
Extra wires/connections removed for clarity

Please see <https://hub.sync.logitech.com/> for more information