



KRAMER ELECTRONICS LTD.

USER MANUAL

MODEL:

SL-1N
Master Room Controller

P/N: 2900-300399 Rev 1

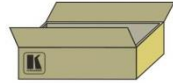


SL-1N Quick Start Guide

This guide helps you install and use your product for the first time. For more detailed information, go to <http://bit.ly/k-prod-downloads> to download the latest manual or scan the QR code on the left.

Step 1: Check what's in the box

- ✓ **SL-1N** Master Room Controller
- ✓ 1 Power supply (12V DC)
- ✓ 4 Rubber feet
- ✓ 1 Quick Start Guide
- ✓ Kramer **RC-IR3** Infrared Remote Control Transmitter with batteries and user manual



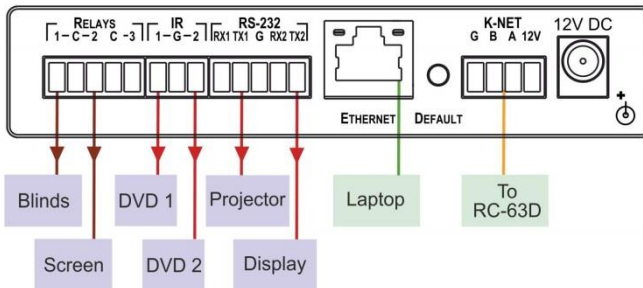
Save the original box and packaging materials in case you need to return your **SL-1N** for service.

Step 2: Install the SL-1N

Attach the rubber feet and place on a table or mount the **SL-1N** in a rack (using an optional **RK-3T** rack adapter).

Step 3: Connect the inputs and outputs

Always switch off the power on each device before connecting it to your **SL-1N**.



Always use Kramer high-performance cables for connecting AV equipment to the **SL-1N**.

Step 4: Connect the power

Connect the 12V DC power adapter to the **SL-1N** and plug the adapter into the mains electricity.



Step 5: Operate the SL-1N

Operate via the RC keypad, IR remote control, K-NET or Ethernet

Contents

1	Introduction	1
2	Getting Started	2
2.1	Achieving the Best Performance	2
2.2	Safety Instructions	3
2.3	Recycling Kramer Products	3
3	Overview	4
3.1	Defining the SL-1N Master Room Controller	5
4	Connecting the SL-1N	7
4.1	Connecting the RS-232 Port	8
4.2	Connecting the Ethernet Port	9
4.3	Connecting the K-NET Port	9
5	Operating the SL-1N	10
6	Technical Specifications	11

Figures

Figure 1:	SL-1N Master Room Controller	5
Figure 2:	Connecting the SL-1N Master Room Controller	8
Figure 3:	RS-232 Connection	8
Figure 4:	K-NET Pinout Connection	9

1 Introduction

Welcome to Kramer Electronics! Since 1981, Kramer Electronics has been providing a world of unique, creative, and affordable solutions to the vast range of problems that confront video, audio, presentation, and broadcasting professionals on a daily basis. In recent years, we have redesigned and upgraded most of our line, making the best even better!

Our 1,000-plus different models now appear in 14 groups that are clearly defined by function: GROUP 1: Distribution Amplifiers; GROUP 2: Switchers and Routers; GROUP 3: Control Systems; GROUP 4: Format/Standards Converters; GROUP 5: Range Extenders and Repeaters; GROUP 6: Specialty AV Products; GROUP 7: Scan Converters and Scalers; GROUP 8: Cables and Connectors; GROUP 9: Room Connectivity; GROUP 10: Accessories and Rack Adapters; GROUP 11: Sierra Video Products; GROUP 12: Digital Signage; GROUP 13: Audio; and GROUP 14: Collaboration.

Congratulations on purchasing your Kramer **SL-1N** *Master Room Controller*, which is ideal for the following typical applications:

- Controlling multimedia rooms, such as classrooms, auditoriums, conference rooms, and so on, and is Site-CTRL-compatible enabling remote control and management of the AV equipment
- Production studios, rental, and staging

2 Getting Started

We recommend that you:

- Unpack the equipment carefully and save the original box and packaging materials for possible future shipment
- Review the contents of this user manual



Go to http://www.kramerelectronics.com/support/product_downloads.asp to check for up-to-date user manuals, application programs, and to check if firmware upgrades are available (where appropriate).

2.1 Achieving the Best Performance

To achieve the best performance:

- Use only good quality connection cables (we recommend Kramer high-performance, high-resolution cables) to avoid interference, deterioration in signal quality due to poor matching, and elevated noise levels (often associated with low quality cables)
- Do not secure the cables in tight bundles or roll the slack into tight coils
- Avoid interference from neighboring electrical appliances that may adversely influence signal quality
- Position your Kramer **SL-1N** away from moisture, excessive sunlight and dust



This equipment is to be used only inside a building. It may only be connected to other equipment that is installed inside a building.

2.2 Safety Instructions



Caution: There are no operator serviceable parts inside the unit

Warning: Use only the Kramer Electronics input power wall adapter that is provided with the unit

Warning: Disconnect the power and unplug the unit from the wall before installing

2.3 Recycling Kramer Products

The Waste Electrical and Electronic Equipment (WEEE) Directive 2002/96/EC aims to reduce the amount of WEEE sent for disposal to landfill or incineration by requiring it to be collected and recycled. To comply with the WEEE Directive, Kramer Electronics has made arrangements with the European Advanced Recycling Network (EARN) and will cover any costs of treatment, recycling and recovery of waste Kramer Electronics branded equipment on arrival at the EARN facility. For details of Kramer's recycling arrangements in your particular country go to our recycling pages at <http://www.kramerelectronics.com/support/recycling/>.

3 Overview

The **SL-1N** is a highly versatile controller; an all-in-one extended remote control panel for control of AV equipment—especially projectors and associated equipment—in any room (such as classrooms, boardrooms, or auditoriums). It streamlines operations and simplifies control by integrating audio, video, and computer-video sources into a centralized system.

The **SL-1N** features:

- 2 bidirectional RS-232 ports to control AV equipment such as projectors, LCD and PDP displays, power amplifiers, switchers and scalers
- 3 relay contact closure ports to control other room items related to the AV system such as raising and lowering drapes, the screen or the projector
- IR control - 1 input (3.5mm) and 2 outputs (terminals blocks)
- IR Learning that learns commands from any IR remote
- Compatibility with Kramer **Site-CTRL™** software for network remote control and management over the Ethernet port
- A K-NET™ control channel for connecting compatible user interfaces and supplying power and control data over a single cable
- A USB port for loading device firmware
- Flexible control using Ethernet, K-NET™, IR sensors and external IR commands.

3.1 Defining the SL-1N Master Room Controller

This section defines the **SL-1N**.

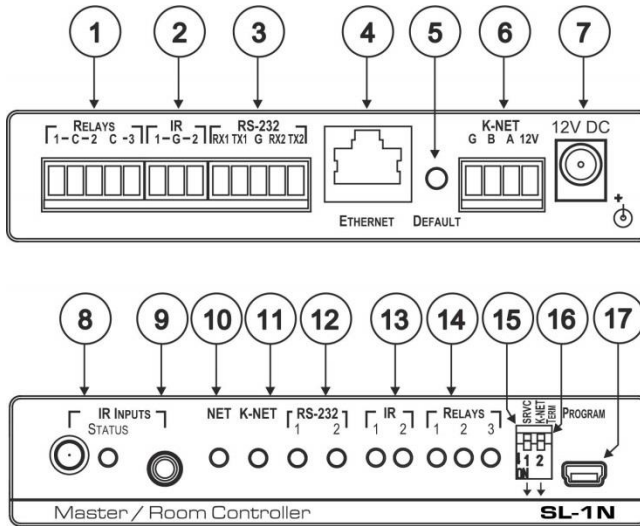


Figure 1: SL-1N Master Room Controller

#	Feature	Function
1	RELAYS Terminal Blocks	Connect to low-voltage relay-driven devices (from 1 to 3)
2	IR Output Terminal Blocks	Connect to IR emitter cables (from 1 to 2)
3	RS-232 Terminal Blocks	Connect to the RS-232 devices (from 1 to 2)
4	ETHERNET RJ-45 Connector	Connects to the PC or other serial controller through computer networking LAN
5	DEFAULT Pushbutton	Press to reset to factory default definitions: IP number – 192.168.1.39, mask – 255.255.0.0, gateway – 0.0.0.0, also to remove the current configuration First disconnect the power cord and then connect it again while pressing the ETH Factory Reset button. The unit powers up and loads its memory with the factory default definitions and erases all stored presets
6	K-NET Terminal Block	PIN GND is for the ground connection; PIN B (-) and PIN A (+) are for RS-485, and PIN +12V is for powering the unit The ground connection is sometimes connected to the shield of the RS-485 cable
7	12V DC Connector	For supplying power to the unit
8	IR IN Sensor and LED	Accepts IR remote commands
9	IR INPUT 3.5mm Mini Jack	Connects to a remote infrared sensor
10	NET LED	Illuminates when the Ethernet link is active

#	Feature	Function
11	<i>K-NET</i> LED	Illuminates when the K-NET is active (red – transmit, green – receive)
12	<i>RS-232 Tx/Rx</i> LEDs	Illuminates while transmitting/receiving on an RS-232 port (1 to 2) (red – transmit, green – receive)
13	<i>IR</i> LEDs	Illuminates when an IR port is active
14	<i>RELAYS</i> LEDs	Illuminates when a relay is active (1 to 3)
15	<i>SRVC</i> DIP-Switch	Slides down for service use only, slides up for normal operation
16	<i>K-NET TERM</i> DIP-Switch	Slides down for K-NET termination, slides up for not terminated
17	<i>PROGRAM</i> USB Connector	Connect to a computer for unit configuration and firmware upgrading

4 Connecting the SL-1N



Always switch off the power to each device before connecting it to your **SL-1N**. After connecting your **SL-1N**, connect its power and then switch on the power to each device.

To connect the SL-1N, as the example in [Figure 2](#) illustrates, do the following:

1. Connect the RELAY terminal block connectors as follows:
 - Connect RELAY 1 and 2 to blinds
 - Connect RELAY 3 to a screen
2. Connect the IR outputs as follows:
 - Connect IR OUTPUT 1 to DVD player 1
 - Connect IR OUTPUT 2 to DVD player 2
3. Connect the RS-232 ports as follows:
 - Connect RS-232 port 1 to a projector
 - Connect RS-232 port 2 to a display
4. Connect the IR sensor as follows:
 - Connect IR INPUT to an IR sensor
5. Connect the Ethernet port to a network.
6. Connect the K-NET port to any **RC** device (in this example, an **RC-63D**) over K-NET.

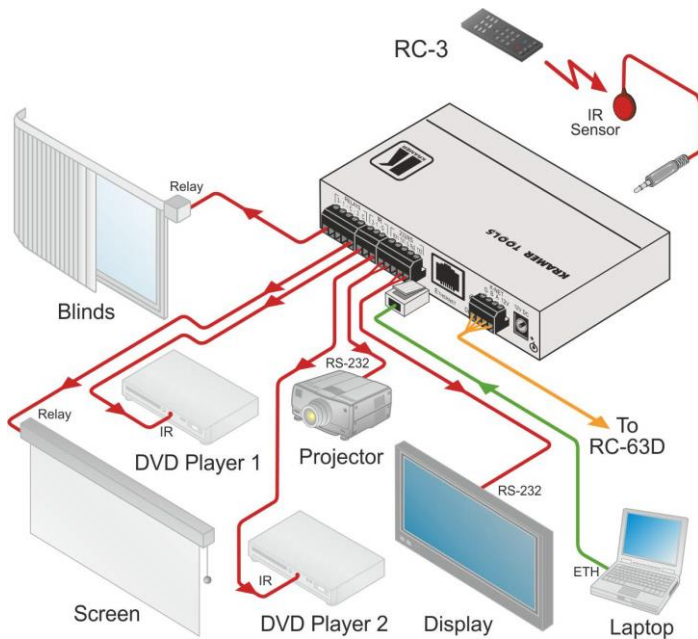


Figure 2: Connecting the SL-1N Master Room Controller

4.1 Connecting the RS-232 Port

To connect an AV device to the **SL-1NN**, connect the RS-232 9-pin D-sub port on your device to the RS-232 terminal block on the rear panel of the **SL-1N** controller as shown in [Figure 3](#):

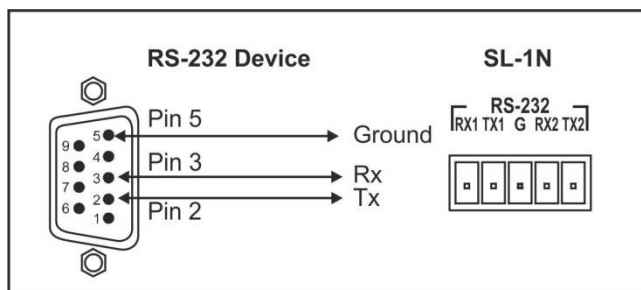


Figure 3: RS-232 Connection

4.2 Connecting the Ethernet Port

The Ethernet connection of the **SL-1N** allows you to perform all control functions of the **SL-1N** over the Internet using a PC running the Kramer **Site-CTRL** control program.

To connect the **SL-1N** to a network:

1. Connect the Ethernet port of the **SL-1N** to the Ethernet port on a network hub or network router, via a straight cable with RJ-45 connectors.
2. At the other end, connect a PC running **Site-CTRL** to the network.

After connecting the Ethernet port, you have to install and configure it. For detailed instructions on how to install and configure your Ethernet port, see the *K-Config Configuration Guide* available for download at the Kramer Web site:

www.kramerelectronics.com.

4.3 Connecting the K-NET Port

The K-NET port is wired as shown in [Figure 4](#).

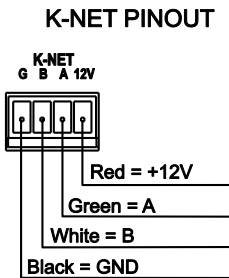


Figure 4: K-NET Pinout Connection

5 Operating the SL-1N

You can operate your **SL-1N** using:

- A K-NET-compatible remote controller or auxiliary control panel:
To operate your device using an external K-Net device, see the *K-Config Configuration Guide*
- The optional **RC-4** Infrared remote control transmitter:
To operate your device using the infrared remote controller, see the User Manual packed with the remote controller
- A PC running **Site-CTRL** control software:
To operate your device using **Site-CTRL**, see the *Site-CTRL and Web Access Online User Guide*

6 Technical Specifications

BI-DIRECTIONAL PORTS:	2 RS-232 and K-NET on terminal block connectors; 1 Ethernet on an RJ-45 connector; 1 USB for programming
INPUTS:	1 infrared sensor, 1 infrared on a 3.5mm mini jack connector
OUTPUTS:	2 infrared and 3 relays (36V AC or DC, 2A, 60V AC maximum on non-inductive load) on terminal block connectors
DEFAULT IP SETTINGS:	IP number: 192.168.1.39; Mask: 255.255.0.0; Gateway: 0.0.0.0
INDICATORS:	LED indicator for each function
POWER CONSUMPTION:	12V DC, 2A (from power supply) or 12V DC over K-NET connection
OPERATING TEMPERATURE:	0° to +40°C (32° to 104°F)
STORAGE TEMPERATURE:	-40° to +70°C (-40° to 158°F)
HUMIDITY:	10% to 90%, RHL non-condensing
DIMENSIONS:	12cm x 7.2cm x 2.4cm (4.7" x 2.8" x 1.0") W, D, H
WEIGHT:	0.3kg (0.7lbs)
INCLUDED ACCESSORIES:	Power supply
OPTIONAL ACCESSORIES:	RK-3T 19" rack mount, RC-4 remote controller, external IR receiver (C-A35M/IRR-50) and IR receiver extension cables (C-A35M/A35F-50)
Specifications are subject to change without notice at http://www.kramerelectronics.com	

LIMITED WARRANTY

The warranty obligations of Kramer Electronics for this product are limited to the terms set forth below:

What is Covered

This limited warranty covers defects in materials and workmanship in this product.

What is Not Covered

This limited warranty does not cover any damage, deterioration or malfunction resulting from any alteration, modification, improper or unreasonable use or maintenance, misuse, abuse, accident, neglect, exposure to excess moisture, fire, improper packing and shipping (such claims must be presented to the carrier), lightning, power surges, or other acts of nature. This limited warranty does not cover any damage, deterioration or malfunction resulting from the installation or removal of this product from any installation, any unauthorized tampering with this product, any repairs attempted by anyone unauthorized by Kramer Electronics to make such repairs, or any other cause which does not relate directly to a defect in materials and/or workmanship of this product. This limited warranty does not cover cartons, equipment enclosures, cables or accessories used in conjunction with this product.

Without limiting any other exclusion herein, Kramer Electronics does not warrant that the product covered hereby, including, without limitation, the technology and/or integrated circuit(s) included in the product, will not become obsolete or that such items are or will remain compatible with any other product or technology with which the product may be used.

How Long Does this Coverage Last

Seven years as of this printing; please check our Web site for the most current and accurate warranty information.

Who is Covered

Only the original purchaser of this product is covered under this limited warranty. This limited warranty is not transferable to subsequent purchasers or owners of this product.

What Kramer Electronics will do

Kramer Electronics will, at its sole option, provide one of the following three remedies to whatever extent it shall deem necessary to satisfy a proper claim under this limited warranty:

1. Elect to repair or facilitate the repair of any defective parts within a reasonable period of time, free of any charge for the necessary parts and labor to complete the repair and restore this product to its proper operating condition. Kramer Electronics will also pay the shipping costs necessary to return this product once the repair is complete.
2. Replace this product with a direct replacement or with a similar product deemed by Kramer Electronics to perform substantially the same function as the original product.
3. Issue a refund of the original purchase price less depreciation to be determined based on the age of the product at the time remedy is sought under this limited warranty.

What Kramer Electronics will not do Under This Limited Warranty

If this product is returned to Kramer Electronics or the authorized dealer from which it was purchased or any other party authorized to repair Kramer Electronics products, this product must be insured during shipment, with the insurance and shipping charges prepaid by you. If this product is returned uninsured, you assume all risks of loss or damage during shipment. Kramer Electronics will not be responsible for any costs related to the removal or re-installation of this product from or into any installation. Kramer Electronics will not be responsible for any costs related to any setting up this product, any adjustment of user controls or any programming required for a specific installation of this product.

How to Obtain a Remedy under this Limited Warranty

To obtain a remedy under this limited warranty, you must contact either the authorized Kramer Electronics reseller from whom you purchased this product or the Kramer Electronics office nearest you. For a list of authorized Kramer Electronics resellers and/or Kramer Electronics authorized service providers, please visit our web site at www.kramerelectronics.com or contact the Kramer Electronics office nearest you.

In order to pursue any remedy under this limited warranty, you must possess an original, dated receipt as proof of purchase from an authorized Kramer Electronics reseller. If this product is returned under this limited warranty, a return authorization number, obtained from Kramer Electronics, will be required. You may also be directed to an authorized reseller or a person authorized by Kramer Electronics to repair the product.

If it is decided that this product should be returned directly to Kramer Electronics, this product should be properly packed, preferably in the original carton, for shipping. Cartons not bearing a return authorization number will be refused.

Limitation on Liability

THE MAXIMUM LIABILITY OF KRAMER ELECTRONICS UNDER THIS LIMITED WARRANTY SHALL NOT EXCEED THE ACTUAL PURCHASE PRICE PAID FOR THE PRODUCT. TO THE MAXIMUM EXTENT PERMITTED BY LAW, KRAMER ELECTRONICS IS NOT RESPONSIBLE FOR DIRECT, SPECIAL, INCIDENTAL OR CONSEQUENTIAL DAMAGES RESULTING FROM ANY BREACH OF WARRANTY OR CONDITION, OR UNDER ANY OTHER LEGAL THEORY. Some countries, districts or states do not allow the exclusion or limitation of relief, special, incidental, consequential or indirect damages, or the limitation of liability to specified amounts, so the above limitations or exclusions may not apply to you.

Exclusive Remedy

TO THE MAXIMUM EXTENT PERMITTED BY LAW, THIS LIMITED WARRANTY AND THE REMEDIES SET FORTH ABOVE ARE EXCLUSIVE AND IN LIEU OF ALL OTHER WARRANTIES, REMEDIES AND CONDITIONS, WHETHER ORAL OR WRITTEN, EXPRESS OR IMPLIED. TO THE MAXIMUM EXTENT PERMITTED BY LAW, KRAMER ELECTRONICS SPECIFICALLY DISCLAIMS ANY AND ALL IMPLIED WARRANTIES, INCLUDING, WITHOUT LIMITATION, WARRANTIES OF MERCHANTABILITY AND FITNESS FOR A PARTICULAR PURPOSE. IF KRAMER ELECTRONICS CANNOT LAWFULLY DISCLAIM OR EXCLUDE IMPLIED WARRANTIES UNDER APPLICABLE LAW, THEN ALL IMPLIED WARRANTIES COVERING THIS PRODUCT, INCLUDING WARRANTIES OF MERCHANTABILITY AND FITNESS FOR A PARTICULAR PURPOSE, SHALL APPLY TO THIS PRODUCT AS PROVIDED UNDER APPLICABLE LAW.

IF ANY PRODUCT TO WHICH THIS LIMITED WARRANTY APPLIES IS A "CONSUMER PRODUCT" UNDER THE MAGNUSON-MOSS WARRANTY ACT (15 U.S.C.A. §2301, ET SEQ.) OR OTHER APPLICABLE LAW, THE FOREGOING DISCLAIMER OF IMPLIED WARRANTIES SHALL NOT APPLY TO YOU, AND ALL IMPLIED WARRANTIES ON THIS PRODUCT, INCLUDING WARRANTIES OF MERCHANTABILITY AND FITNESS FOR THE PARTICULAR PURPOSE, SHALL APPLY AS PROVIDED UNDER APPLICABLE LAW.

Other Conditions

This limited warranty gives you specific legal rights, and you may have other rights which vary from country to country or state to state.

This limited warranty is void if (i) the label bearing the serial number of this product has been removed or defaced, (ii) the product is not distributed by Kramer Electronics or (iii) this product is not purchased from an authorized Kramer Electronics reseller. If you are unsure whether a reseller is an authorized Kramer Electronics reseller, please visit our Web site at www.kramerelectronics.com or contact a Kramer Electronics office from the list at the end of this document.

Your rights under this limited warranty are not diminished if you do not complete and return the product registration form or complete and submit the online product registration form. Kramer Electronics thanks you for purchasing a Kramer Electronics product. We hope it will give you years of satisfaction.



For the latest information on our products and a list of Kramer distributors, visit our Web site where updates to this user manual may be found.

We welcome your questions, comments, and feedback.

Web site: www.kramerelectronics.com

E-mail: info@kramere.com

CE



SAFETY WARNING

Disconnect the unit from the power supply before opening and servicing



P/N: 2900-300399



Rev: 1