

NDA-U-PA1 Surveillance cabinet 120VAC

www.boschsecurity.com



BOSCH

Invented for life



- ▶ Complete power supply and connectivity solution suitable for outdoor use
- ▶ 120 VAC Input with 24 VAC / 100 W power output
- ▶ Built-in surge protection to enhance system reliability
- ▶ Seamlessly integrates within the camera mount eliminating the need for a separate junction box
- ▶ Modular design for fast and easy installation

The modular camera mounts & accessories are a family of mounts, mounting adapters, pendant interface plates and surveillance cabinets which can be used with a wide range of Bosch cameras. The accessories are easy to install and can be combined to simplify installation in multiple locations whilst retaining the same look and feel.

Functions

Bosch surveillance cabinets are designed to meet the power and electrical safety requirements for cameras used in outdoor security applications. The surveillance cabinets provide a power supply for situations without PoE.

The NDA-U-PA1 includes a transformer with 120 VAC input and 24 VAC output, to power the cameras rated up to 100 W with surge protection.

Fiber optic kits

The VG4-SFPSCKT fiber optic kit is a unique media converter module for use with the surveillance cabinet. This media converter is designed to accept a wide range of 10/100 Mbps Small Form-factor Pluggable (SFP) modules for use with Multimode or Singlemode fiber with LC or SC connectors. The media converter

module and SFP module can be installed directly into the surveillance cabinet to provide an integrated fiber optic solution.

Universal accessory combinations

This accessory comes ready for installation to a wall or ceiling. To adapt it to be mounted to a pole or corner, the following accessories must be used with:

- NDA-U-PMAL Pole mount adapter large
- NDA-U-CMT Corner mount adapter

This accessory allows easy, direct installation of the following mounts:

- NDA-U-WMT Pendant wall mount
- NDA-U-PMT Pendant ceiling mount

Certifications and approvals

Environmental	
Salt mist	IEC60068-2-52
Impact	IK10
Ingress Protection	IP66
Vibration	NEMA TS2
Shock	NEMA TS2

Region	Regulatory compliance/quality marks	
Europe	CE	NDA-U-PAx
USA	UL	NDA-U-PAx

Parts included

Quantity	Component
1	Surveillance cabinet 120 VAC
1	Quick Installation Guide
1	Safety instructions
1	Technical description (EAC)

Technical specifications

Mechanical

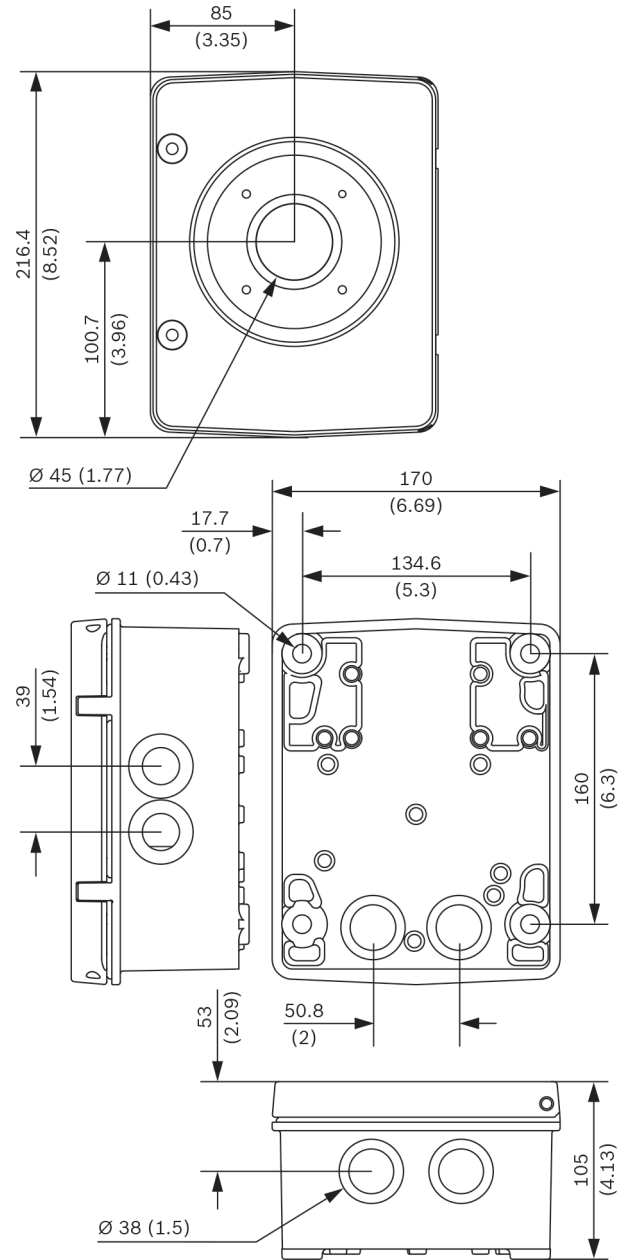
Dimensions (W x H x D)	170.0 mm x 216.4 mm x 105.0 mm (6.69 in. x 8.52 in. x 4.13 in.)
Weight	3773 g (8.32 lb)
Standard Color	White (RAL 9003)
Construction Material	Aluminum alloy

Electrical

Surge protection on power output	Peak current 21.4 A, peak power 1500 W (10/1000 µs)
Input	120 VAC, 50/60 Hz
Output rating	24 V @ 96 VA
Input fuses	1.6 A
Output fuses	2.0 A (Camera), 3.15 A (Heater)

Environmental

Operating Temperature	-60°C to 55°C (-76°F to 131°F)
Humidity	0% to 100%, condensing



Dimensions in mm (inch)

Ordering information

NDA-U-PA1 Surveillance cabinet 120VAC

Surveillance cabinet, 120 VAC input, 24 VAC output, IP66

Order number **NDA-U-PA1**

Accessories

NDA-U-WMT Pendant wall mount

Universal wall mount for dome cameras, white

Order number **NDA-U-WMT**

NDA-U-PMT Pendant pipe mount, 12" (31cm)

Universal pipe mount for dome cameras, 31 cm, white

Order number **NDA-U-PMT**

NDA-U-CMT Corner mount adapter

Universal corner mount, white
Order number **NDA-U-CMT**

NDA-U-PMAL Pole mount adapter large

Universal pole mount adapter, white; large
Order number **NDA-U-PMAL**

NDA-U-PMT Pendant pipe mount, 12" (31cm)

Universal pipe mount for dome cameras, 31 cm, white
Order number **NDA-U-PMT**

VG4-SFPSCKT ETHERNET TO SFP INTERFACE KIT

Ethernet media converter video transmitter/data receiver fiber optic kit for AUTODOME cameras and for MIC-IP-PSU for MIC analog cameras.
Order number **VG4-SFPSCKT**

SFP-2 Fiber module, multimode, 1310nm, 2LC

SFP Fiber Optic Module, 2 km (1.2 miles), 2 LC connectors.
Multi-mode
1310 nm
Order number **SFP-2**

SFP-3 Fiber module, single-mode, 1310nm, 2LC

SFP Fiber Optic Module, 20 km (12.4 miles), 2 LC connectors.
Single-mode
1310 nm
Order number **SFP-3**

SFP-25 Fiber module, 1310/1550nm, 1SC

SFP Fiber Optic Module, 2 km (1.2 miles), 1 SC connector
Multi-mode
1310/1550 nm
Order number **SFP-25**

SFP-26 Fiber module, 1550/1310nm, 1SC

SFP Fiber Optic Module, 2 km (1.2 miles), 1 SC connector
Multi-mode
1550/1310 nm
Order number **SFP-26**

Represented by:

Europe, Middle East, Africa:
Bosch Security Systems B.V.
P.O. Box 80002
5600 JB Eindhoven, The Netherlands
Phone: + 31 40 2577 284
emea.securitysystems@bosch.com
emea.boschsecurity.com

Germany:
Bosch Sicherheitssysteme GmbH
Robert-Bosch-Ring 5
85630 Grasbrunn
Germany
www.boschsecurity.com

North America:
Bosch Security Systems, Inc.
130 Perinton Parkway
Fairport, New York, 14450, USA
Phone: +1 800 289 0096
Fax: +1 585 223 9180
onlinehelp@us.bosch.com
www.boschsecurity.us

Asia-Pacific:
Robert Bosch (SEA) Pte Ltd, Security Systems
11 Bishan Street 21
Singapore 573943
Phone: +65 6571 2808
Fax: +65 6571 2699
apr.securitysystems@bosch.com
www.boschsecurity.asia