



Scan for full manual

K-Bar Camera Bracket Quick Start Guide

This guide helps you install and use your K-Bar Camera Bracket for the first time.

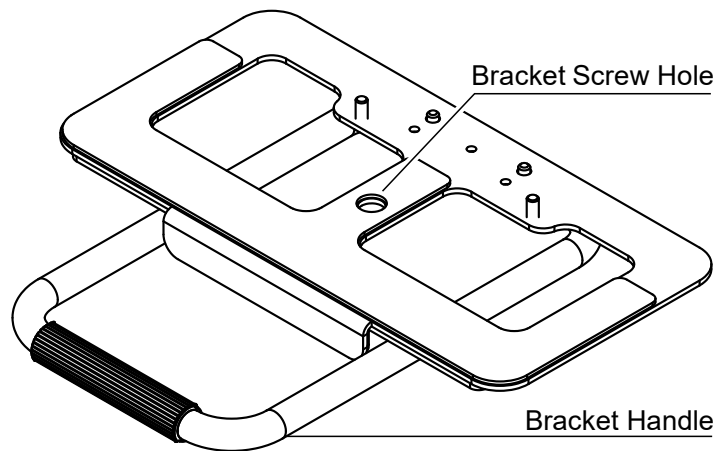
Go to www.kramerav.com/downloads/K-Bar to download the latest user manual and check if firmware upgrades are available.

Step 1: Check what's in the box

✓ K-Bar Camera Bracket

✓ 1 Quick start guide

Step 2: Get to know your K-Bar Camera Bracket

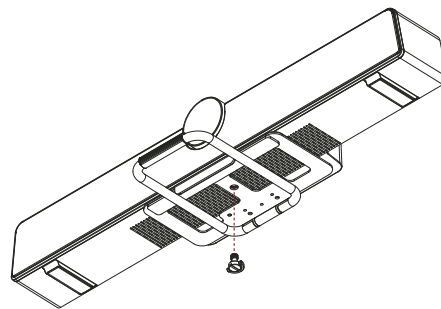


Step 3: Mount Camera Bracket

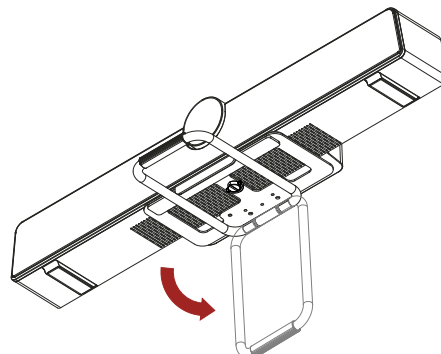
Attach the Camera Bracket to the lower part of K-Bar to mount the camera onto a display.

To attach the Camera Bracket:

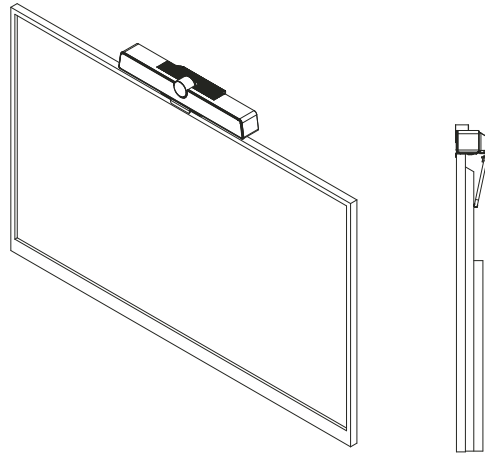
1. Attach the Camera Bracket to the lower part of the K-Bar, using the screw supplied with the K-Bar wall mount kit (included in the K-Bar package).



2. Once the bracket is connected, move the bracket handle to the desired angle.



3. Place the **K-Bar** onto the display.
4. Press the handle against the rear side of the display to ensure that the bracket is tightly secured.



- Before moving the display, take care to remove the Camera Bracket to prevent the K-Bar from falling.
- Once installed, do not move the bracket to the sides or push it in any way.
- Ensure that the environment (e.g., maximum ambient temperature & air flow) is compatible for the device.
- Avoid uneven mechanical loading.
- Reliable earthing of rack-mounted equipment should be maintained.

Technical Specifications

Environmental Conditions	Operating Temperature	0° to +40°C (32° to 104°F)
	Storage Temperature	-40° to +70°C (-40° to 158°F)
	Humidity	10% to 90%, RHL non-condensing
Regulatory Compliance	Safety	CE
	Environmental	RoHs, WEEE
Enclosure	Type	Aluminum
General	Net Dimensions (W, D, H)	15.9cm x 14.2cm x 1.3cm (6.3" x 5.6" x 0.5")
	Shipping Dimensions (W, D, H)	17.5cm x 14.7cm x 2.5cm (6.9" x 5.8" x 1")
	Net Weight	0.28kg (0.6lbs) approx.
	Shipping Weight	0.33kg (0.7lbs) approx.

Specifications are subject to change without notice at www.kramerav.com