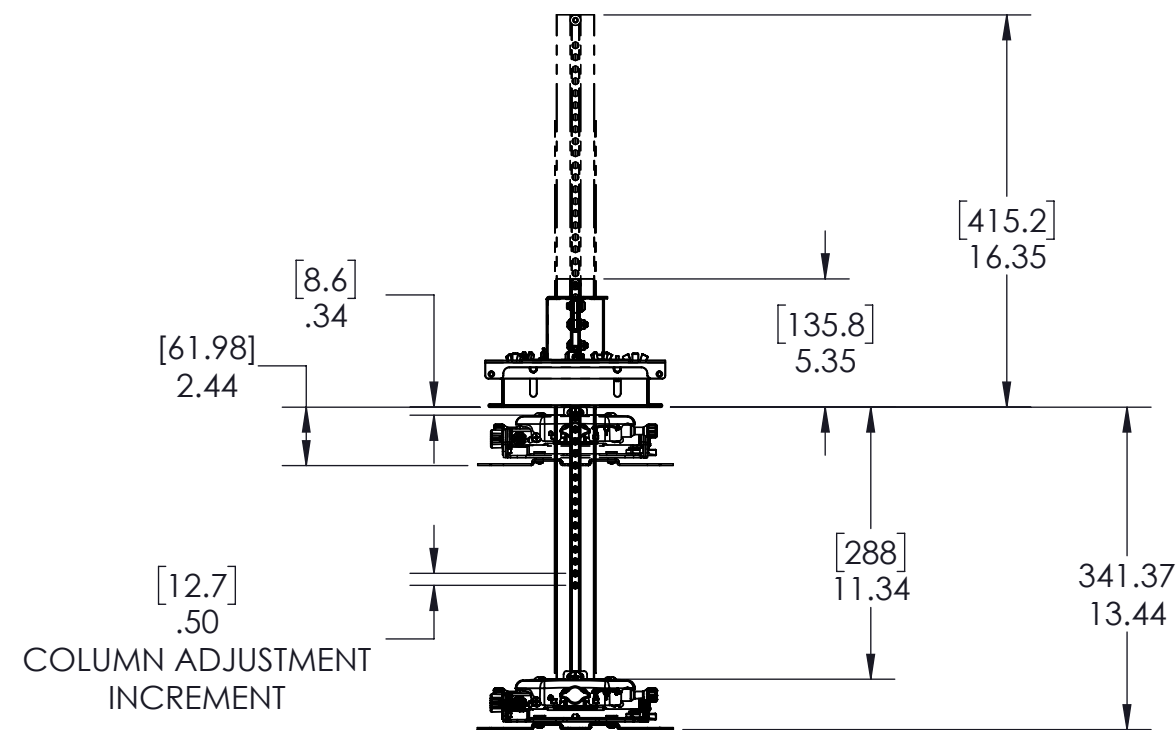


[477.01]
18.78
MOUNT AND
COLUMN ASSEMBLED



[61.98]
2.44

[8.6]
.34

[135.8]
5.35

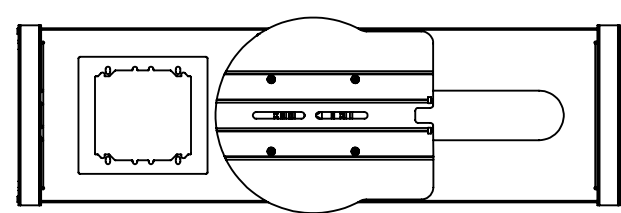
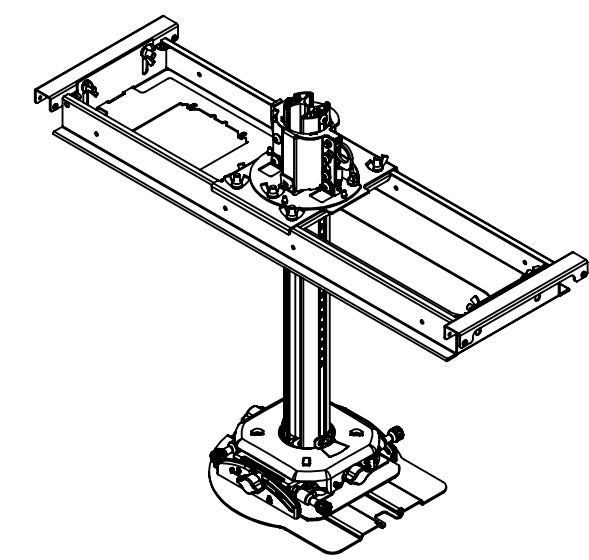
[415.2]
16.35

[12.7]
.50
COLUMN ADJUSTMENT
INCREMENT

[288]
11.34

341.37
13.44

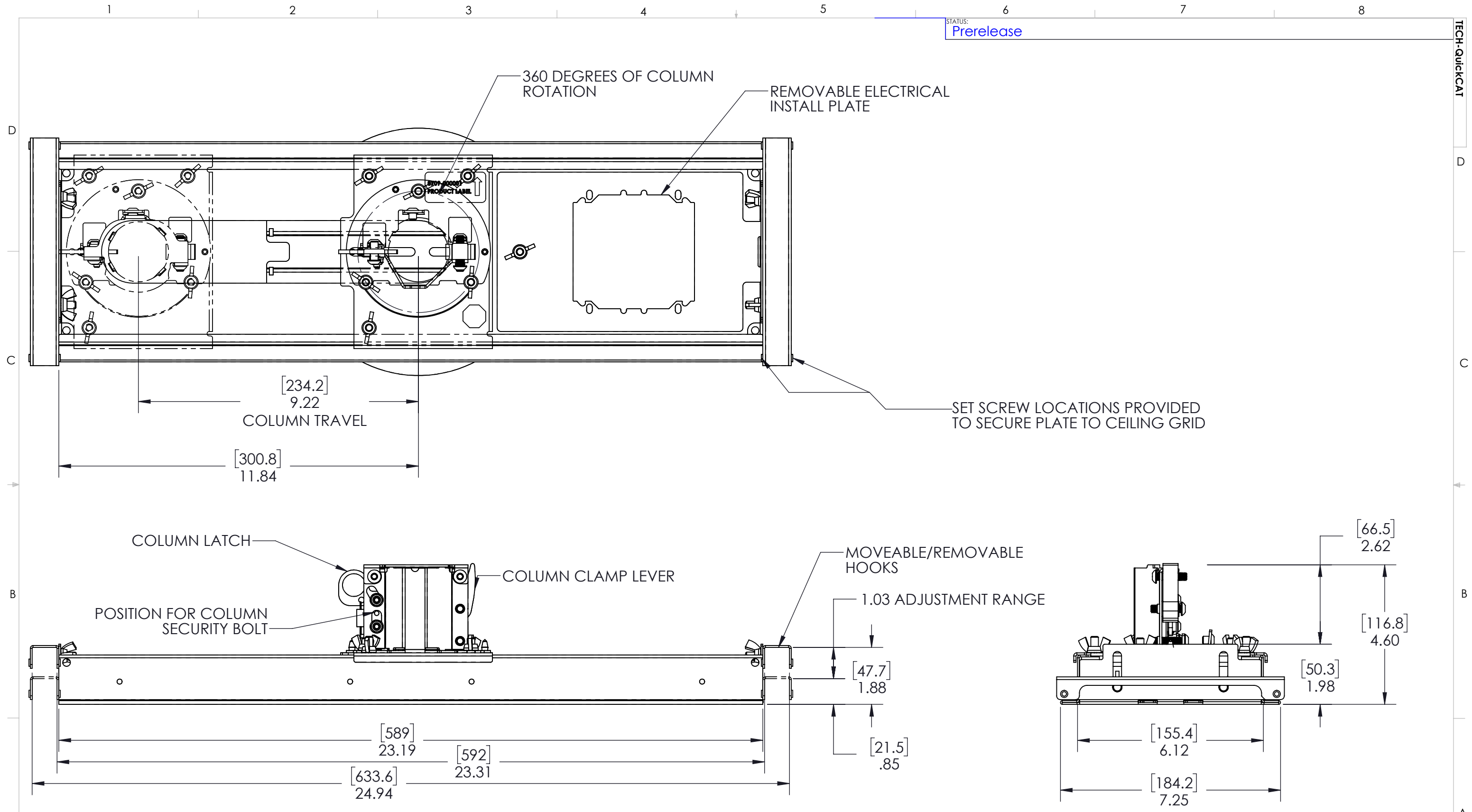
[53.34]
2.10



- NOTE:
1. THIS IS A 4 SHEET DRAWING
 2. SHEET 2 - CEILING PLATE
 3. SHEET 3 - PROJECTOR MOUNT AND COLUMN
 4. SHEET 4 - INTERFACE

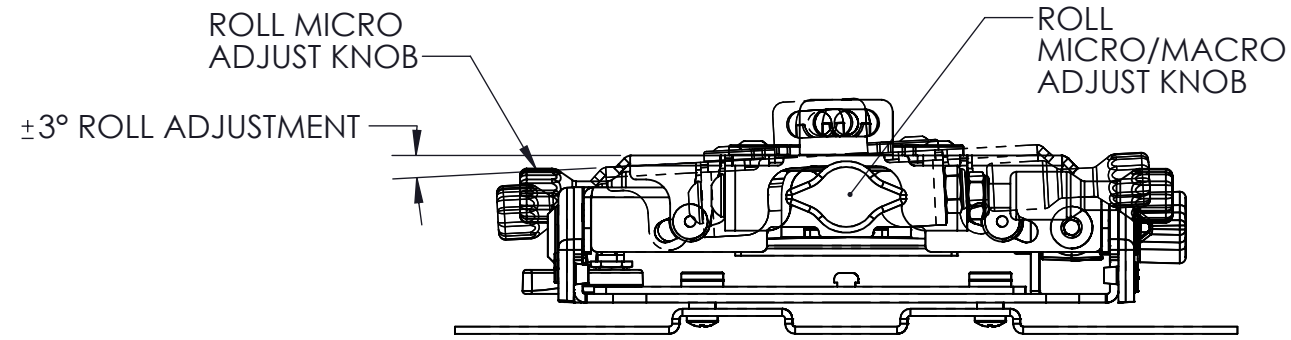
THE INFORMATION AND DESIGNS CONTAINED IN THIS DRAWING ARE CONFIDENTIAL AND THE PROPRIETARY PROPERTY OF MILESTONE AV TECHNOLOGIES NEITHER THIS DESIGN NOR ANY INFORMATION CONTAINED IN THIS DRAWING MAY BE REPRODUCED OR DISCLOSED TO OTHERS WITHOUT THE EXPRESS WRITTEN CONSENT OF MILESTONE AV TECHNOLOGIES.

CAD GENERATED DRAWING, DO NOT MANUALLY UPDATE.				6436 CITY WEST PKWY EDEN PRAIRIE MN, 55344 PHONE: 866-977-3901 FAX: 877-894-6918	
DRAWN BY	PJO	12/14/2017	DESCRIPTION ASSEMBLED SYSTEM QuickCat CEILING MOUNT		
ENG APPROVAL			MODEL NO. QuickCat		
MFG APPROVAL			SIZE DWG. NO. B TECH-QuickCAT		
QA APPROVAL			REV. 00		
SHEET 1 OF 4		SCALE 1:8			

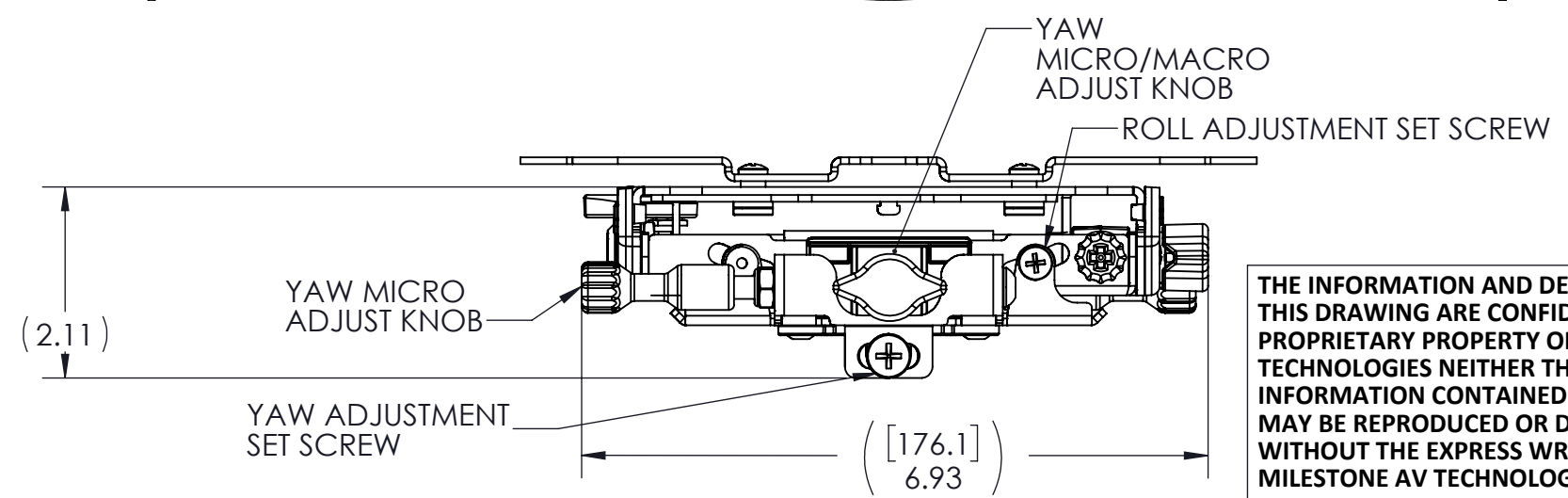
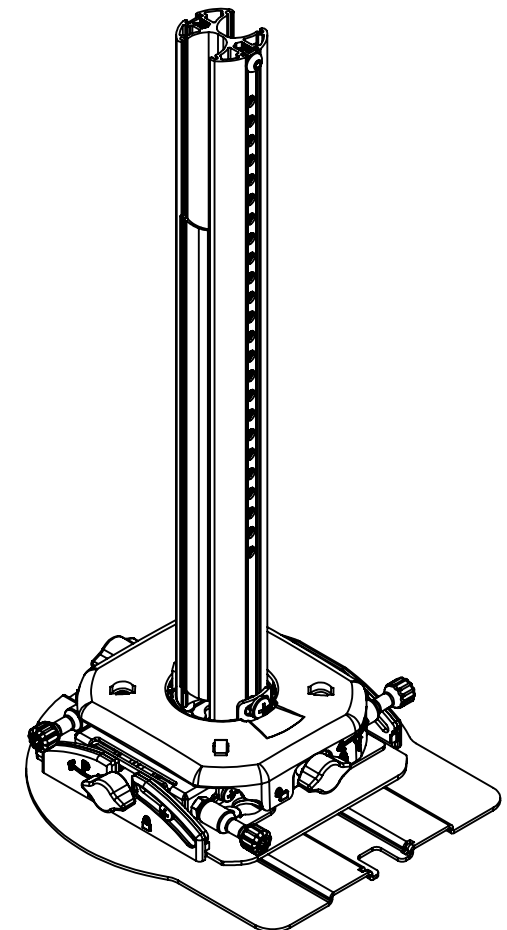
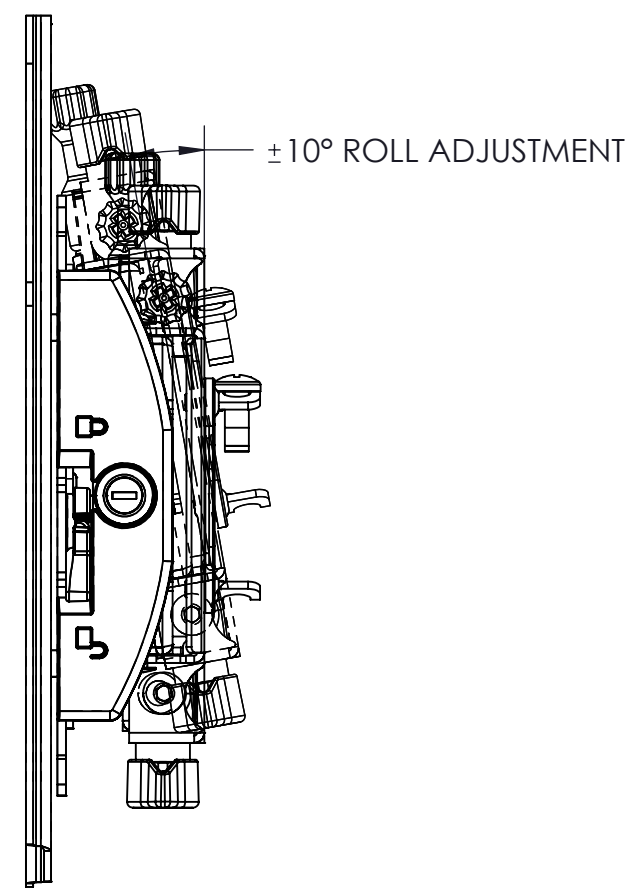
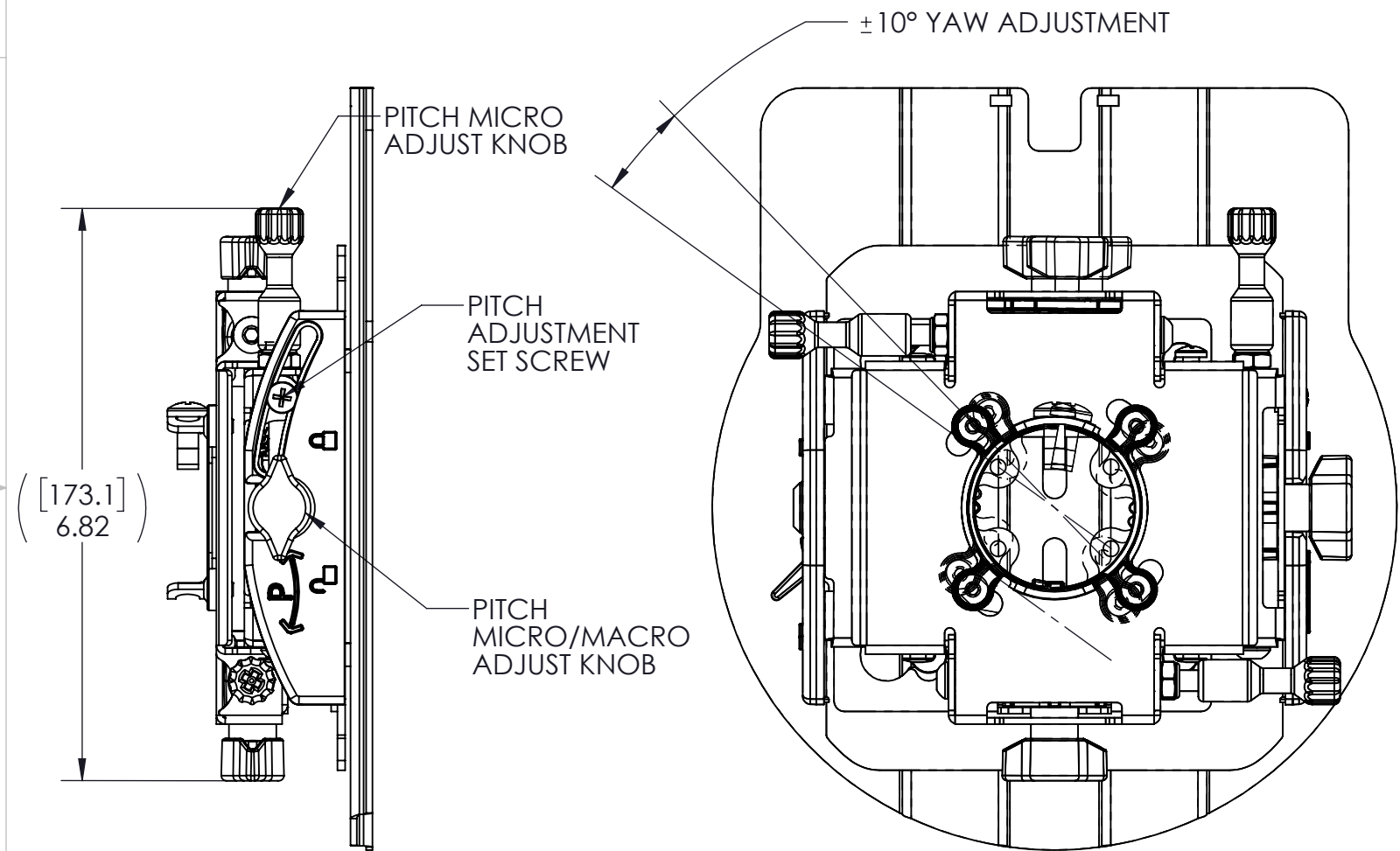


THE INFORMATION AND DESIGNS CONTAINED IN THIS DRAWING ARE CONFIDENTIAL AND THE PROPRIETARY PROPERTY OF MILESTONE AV TECHNOLOGIES NEITHER THIS DESIGN NOR ANY INFORMATION CONTAINED IN THIS DRAWING MAY BE REPRODUCED OR DISCLOSED TO OTHERS WITHOUT THE EXPRESS WRITTEN CONSENT OF MILESTONE AV TECHNOLOGIES.

CAD GENERATED DRAWING, DO NOT MANUALLY UPDATE.				6436 CITY WEST PKWY EDEN PRAIRIE MN, 55344 PHONE: 866-977-3901 FAX: 877-894-6918	
DRAWN BY	PJO	12/14/2017		DESCRIPTION CEILING PLATE QuickCat CEILING MOUNT	
ENG APPROVAL			MODEL NO. QuickCAT		
MFG APPROVAL			SIZE DWG. NO. B TECH-QuickCAT		
QA APPROVAL			REV. 00		
SHEET 2 OF 4			SCALE 1:3		

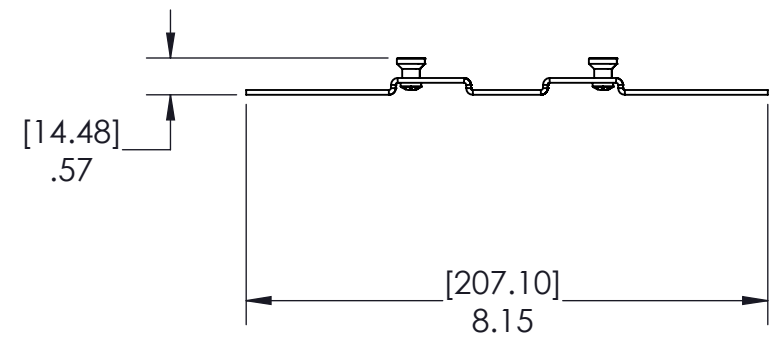
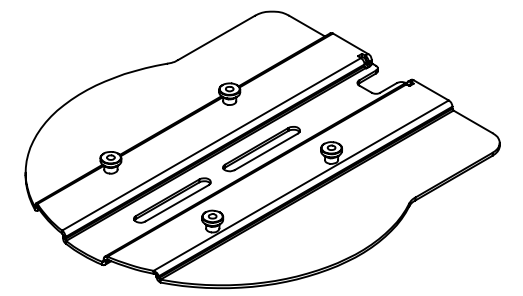
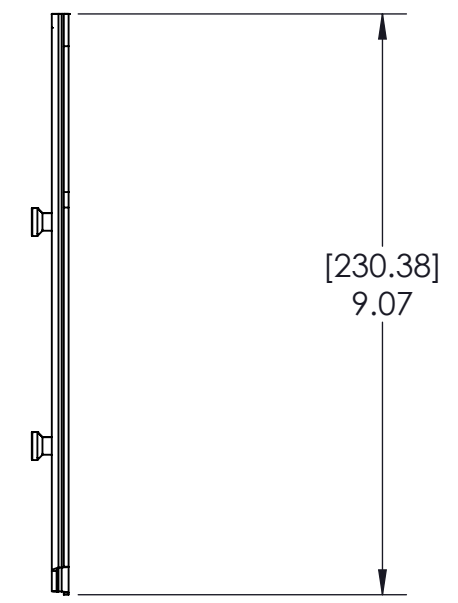
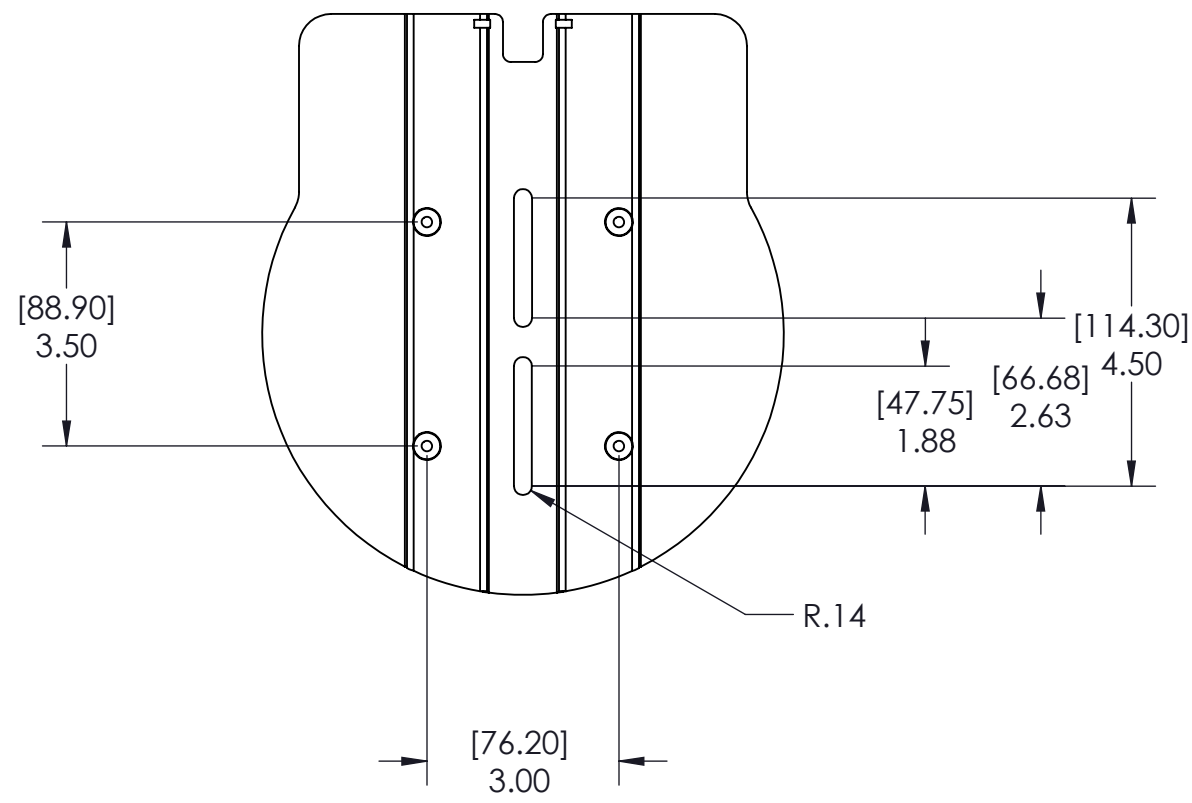


DIMENSIONAL VIEWS OF MOUNT SHOWN WITHOUT COLUMN AND COVER TO INCREASE CLARITY



THE INFORMATION AND DESIGNS CONTAINED IN THIS DRAWING ARE CONFIDENTIAL AND THE PROPRIETARY PROPERTY OF MILESTONE AV TECHNOLOGIES NEITHER THIS DESIGN NOR ANY INFORMATION CONTAINED IN THIS DRAWING MAY BE REPRODUCED OR DISCLOSED TO OTHERS WITHOUT THE EXPRESS WRITTEN CONSENT OF MILESTONE AV TECHNOLOGIES.

CAD GENERATED DRAWING, DO NOT MANUALLY UPDATE.			<p>6436 CITY WEST PKWY EDEN PRAIRIE, MN, 55344 PHONE: 866-977-3901 FAX: 877-894-6918</p>
DRAWN BY	PJO	12/14/2017	
ENG APPROVAL			DESCRIPTION
MFG APPROVAL			PROJECTOR MOUNT AND COLUMN QuickCat CEILING MOUNT
QA APPROVAL			MODEL NO.
SHEET 3 OF 4			QuickCAT
SCALE		1:2	SIZE
		B	DWG. NO.
			TECH-QuickCAT
			REV.
			00



THE INFORMATION AND DESIGNS CONTAINED IN THIS DRAWING ARE CONFIDENTIAL AND THE PROPRIETARY PROPERTY OF MILESTONE AV TECHNOLOGIES NEITHER THIS DESIGN NOR ANY INFORMATION CONTAINED IN THIS DRAWING MAY BE REPRODUCED OR DISCLOSED TO OTHERS WITHOUT THE EXPRESS WRITTEN CONSENT OF MILESTONE AV TECHNOLOGIES.

CAD GENERATED DRAWING, DO NOT MANUALLY UPDATE.			6436 CITY WEST PKWY EDEN PRAIRIE MN, 55344 PHONE: 866-977-3901 FAX: 877-894-6918		
DRAWN BY	PJO	12/14/2017	DESCRIPTION UNIVERSAL INTERFACE QuickCat CEILING MOUNT		
ENG APPROVAL			MODEL NO. QuickCAT		
MFG APPROVAL			SIZE DWG. NO. B TECH-QuickCAT		
QA APPROVAL			REV. 00		
SHEET 4 OF 4		SCALE 1:3			