

Meural Canvas Swivel Mount - Works with Meural Canvas, Meural Canvas II

A sturdy, durable, lightweight mechanism that makes it easy to switch orientations in seconds—and access all of your artwork. With a simple, one-time install, it's the must-have hanging mechanism for users who frequently discover new art, or showcase their own.



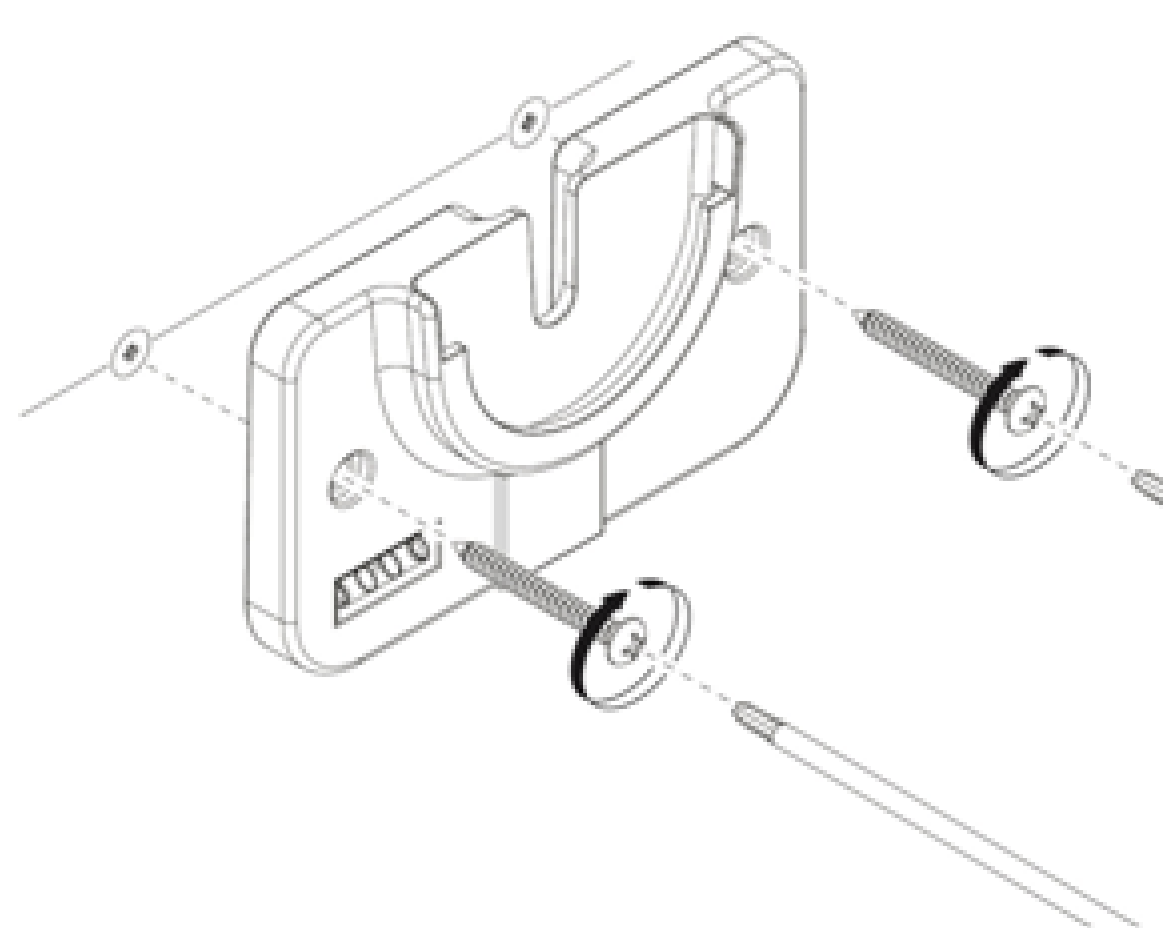
- Rotate your Canvas 90 degrees between vertical and horizontal
- An easy one-time install, the Swivel Mount makes it easy to switch orientations in seconds
- Compatible with Meural Canvas II, Meural Canvas Leonora, and Meural Canvas Winslow
- Includes: Meural Swivel Mount, mounting hardware with liquid level



Meural

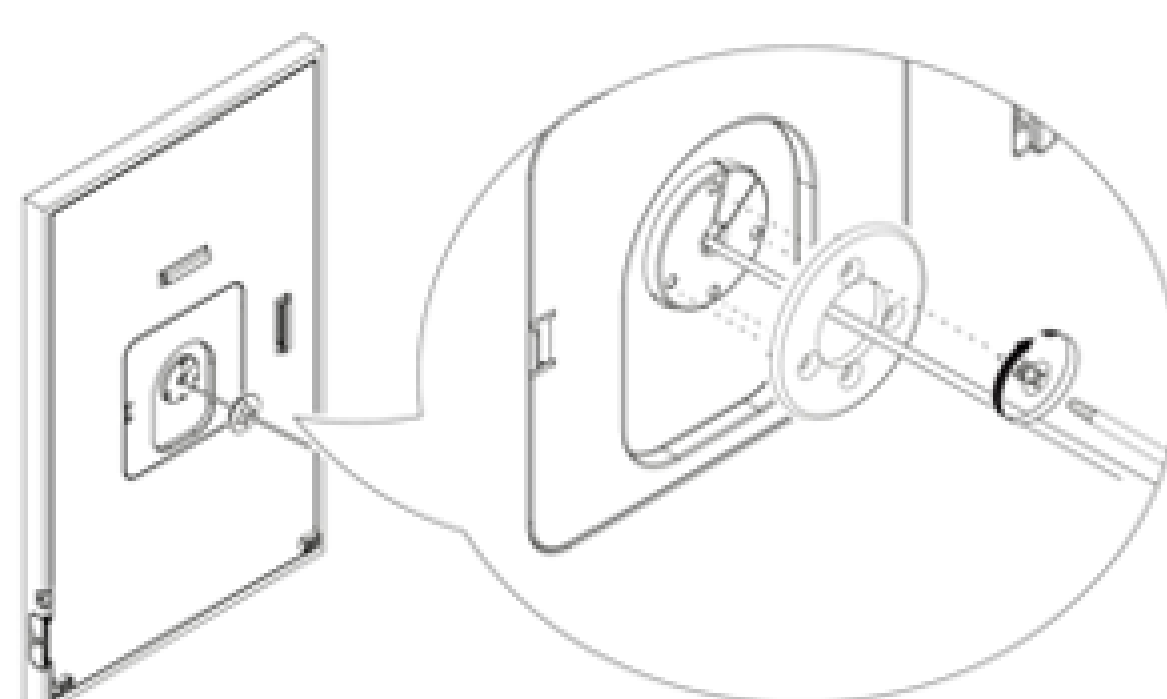
Meural - A gallery in any space.
The Meural Canvas brings a vast library of art from the world's museums and galleries to your wall.

Meural Canvas not included



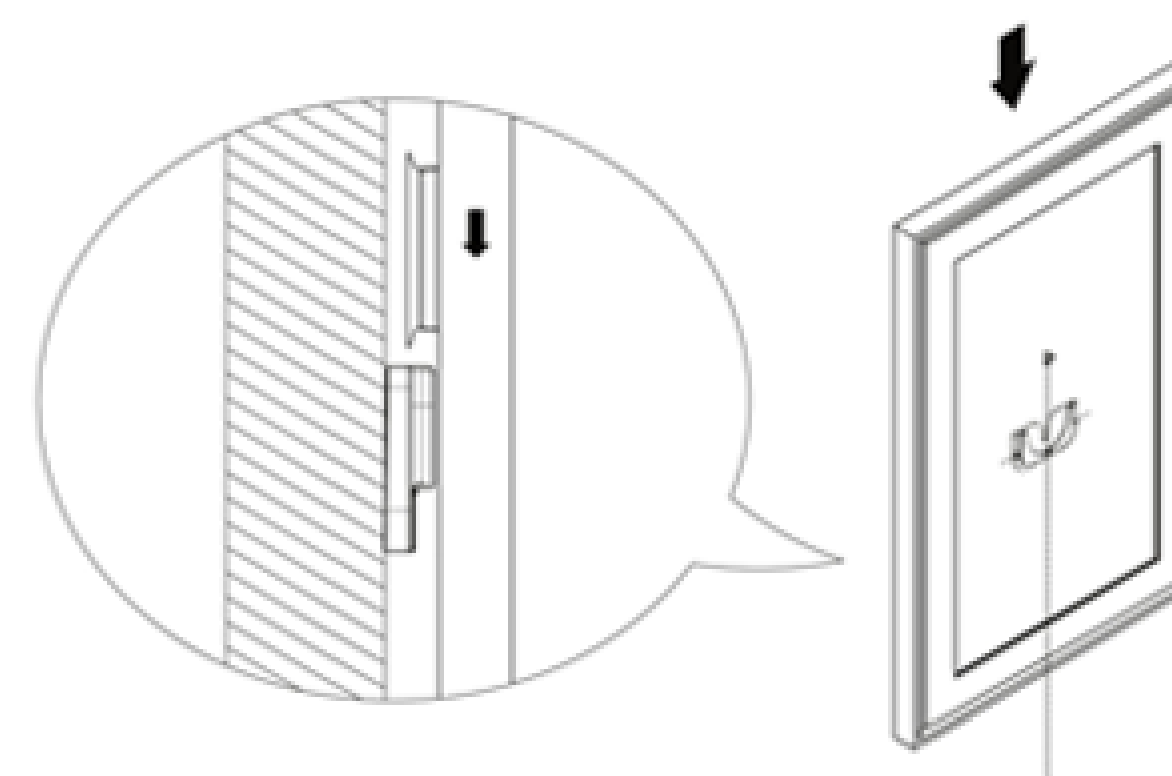
Step 1: Install the wall mount

Using a Phillips head screwdriver, screw the screws through the holes in the wall mount and into the plastic anchors.



Step 2: Attach the donut

Place the donut against the backplate of your Canvas. Use a Phillips head screwdriver to screw the four screws into the donut, securing it tightly.



Step 3: Hang the Canvas

Place the Canvas against the wall and gently slide the hanging slot over the cleat.



Meural Canvas - 21.5 Inch



Meural Canvas - 27 Inch

Compatible with:	✓	✓
------------------	---	---