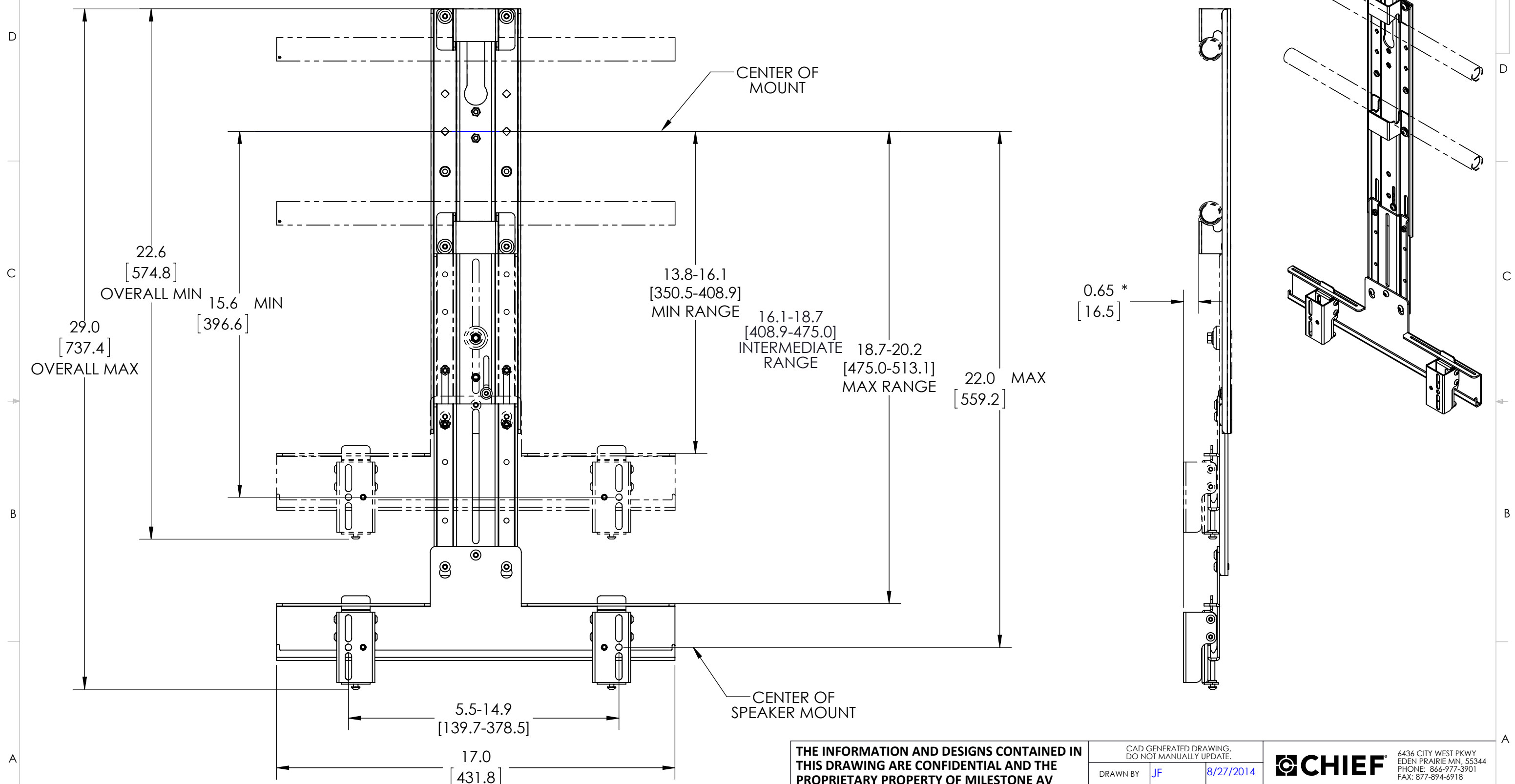


### FUSION WALL MOUNT SETUP



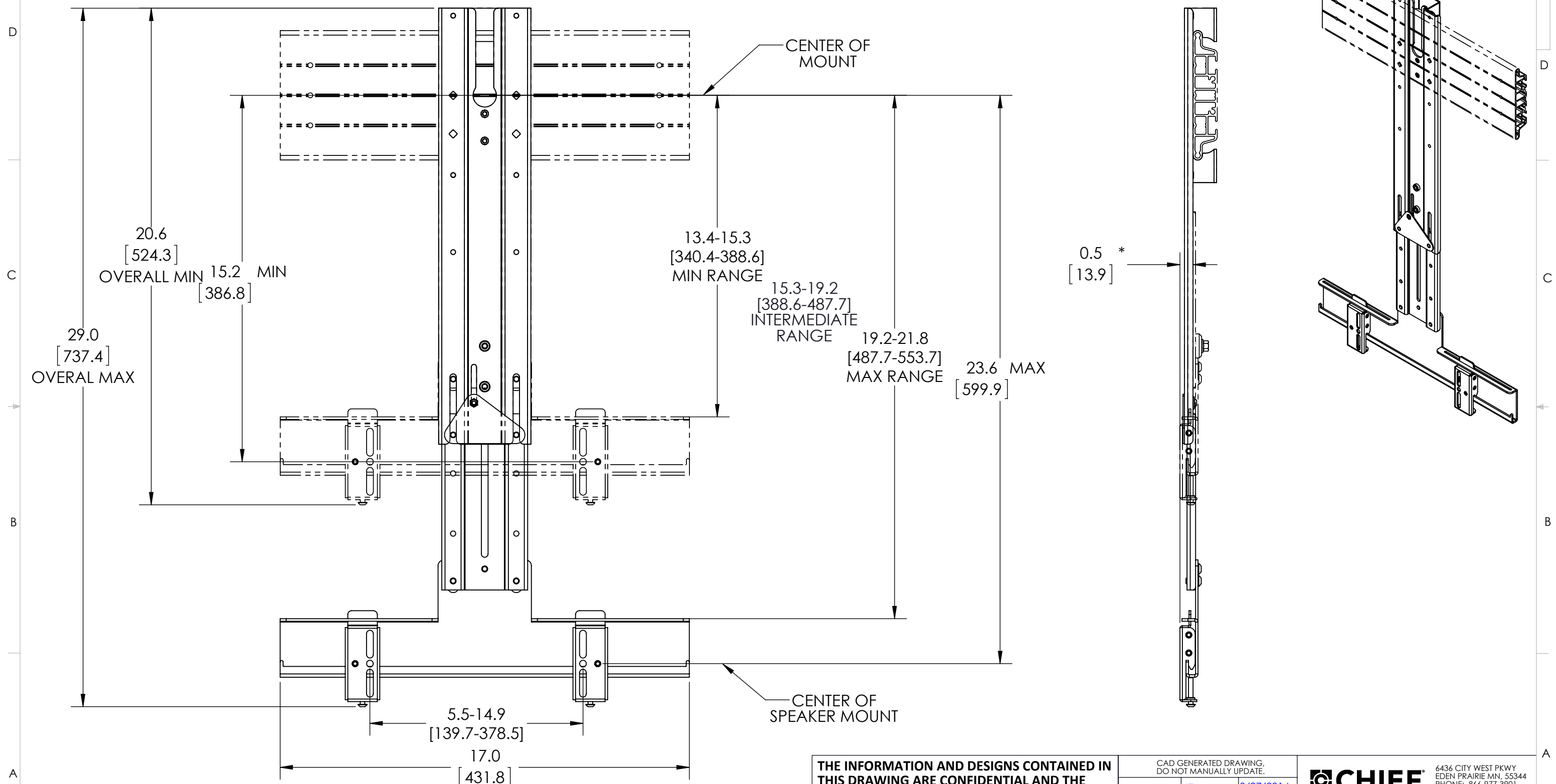
**(\*)NOTES:**

- TYPICAL FUSION INTERFACES ARE 0.625" [15.9] DEEP

**THE INFORMATION AND DESIGNS CONTAINED IN THIS DRAWING ARE CONFIDENTIAL AND THE PROPRIETARY PROPERTY OF MILESTONE AV TECHNOLOGIES NEITHER THIS DESIGN NOR ANY INFORMATION CONTAINED IN THIS DRAWING MAY BE REPRODUCED OR DISCLOSED TO OTHERS WITHOUT THE EXPRESS WRITTEN CONSENT OF MILESTONE AV TECHNOLOGIES.**

CAD GENERATED DRAWING, DO NOT MANUALLY UPDATE.		<p>6436 CITY WEST PKWY EDEN PRAIRIE MN, 55344 PHONE: 866-977-3901 FAX: 877-894-6918</p>
DRAWN BY	JF 8/27/2014	
ENG APPROVAL		DESCRIPTION
MFG APPROVAL		<b>FCA830 FUSION CENTER SPEAKER ADAPTOR, L</b>
QA APPROVAL		MODEL NO.
		<b>FCA830</b>
SHEET 1 OF 2	SCALE 1:4	SIZE DWG. NO. TECH-000632
		REV. 00

### FUSION CEILING/CART MOUNT SETUP



**(\*)NOTES:**

- TYPICAL SINGLE DISPLAY MODELS HAVE INTERFACE DEPTHS .5" [12.7]
- TYPICAL DUAL DISPLAY MODELS HAVE INTERFACE DEPTHS 1.9" [48.3]
- FCA623 DUAL MONITOR INTERFACES ARE 1.4" DEEP [35.6]

**THE INFORMATION AND DESIGNS CONTAINED IN THIS DRAWING ARE CONFIDENTIAL AND THE PROPRIETARY PROPERTY OF MILESTONE AV TECHNOLOGIES NEITHER THIS DESIGN NOR ANY INFORMATION CONTAINED IN THIS DRAWING MAY BE REPRODUCED OR DISCLOSED TO OTHERS WITHOUT THE EXPRESS WRITTEN CONSENT OF MILESTONE AV TECHNOLOGIES.**

CAD GENERATED DRAWING, DO NOT MANUALLY UPDATE.		<b>CHIEF</b> 6436 CITY WEST PKWY EDEN PRAIRIE MN, 55344 PHONE: 866-977-3901 FAX: 877-894-6918	
DRAWN BY	JF	8/27/2014	DESCRIPTION <b>FCA830 FUSION CENTER SPEAKER ADAPTOR, L</b>
ENG APPROVAL			
MFG APPROVAL			
QA APPROVAL			MODEL NO. <b>FCA830</b>
SHEET 2 OF 2		SCALE <b>1:4</b>	SIZE DWG. NO. <b>B TECH-000632</b>
			REV. <b>00</b>