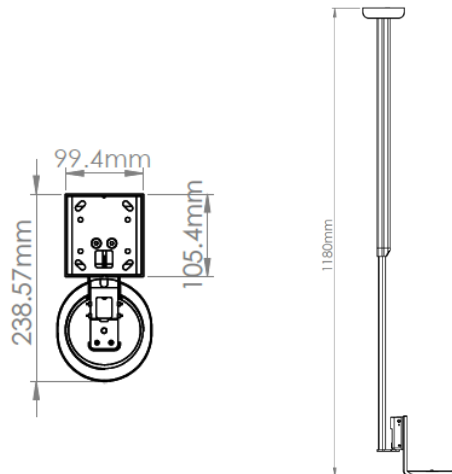
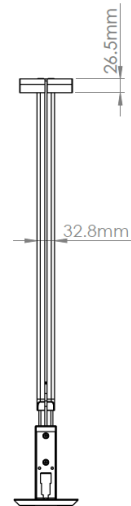
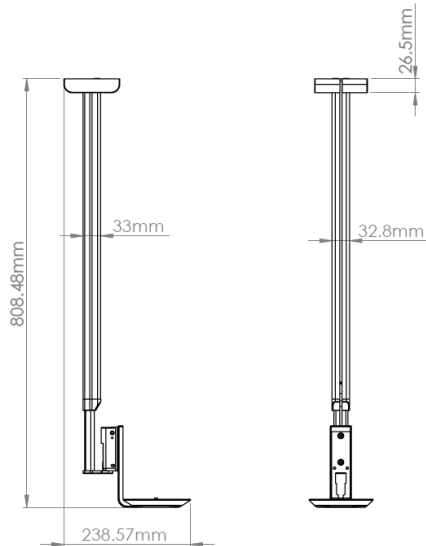


ACCESSORIES FOR SONOS

ERA100-ACM Adjustable Ceiling Mount for Sonos ERA 100



The Flexson Adjustable Ceiling Mount for Sonos ERA 100 allows you to hang your speaker from the ceiling in the ideal place to sound - and look - great. This new, improved design gives you yet more flexibility and functionality with clever cable routing to the ceiling. It's ideal for commercial installations in bars, restaurants and shops, as well as for home use.

The new Flexson ceiling mount has a unique tilting mechanism, as well as the ability to swivel left or right, so you can perfectly angle your sound. Able to tilt 15 degrees down, swivels 80 degrees (40 degrees right & 40 degrees left). Height adjustable from 0.8m to 1.18m to give you greater flexibility with differing ceiling heights. The bracket also allows you to hang the Sonos ERA 100 upside down so you can access on-speaker controls. The bracket also allows you to hang the Sonos ERA 100 upside down so you can access on-speaker controls.

- Bespoke design securely holds the Sonos ERA 100
- Adjustable length of 0.8m to 1.18m
- Base seamlessly fits the speaker, holding it securely.
- Clever cable management to keep things tidy
- Speaker can be inverted for access to controls if required
- Unique tilting mechanism (down 15°) plus can swivel up to 80°(40°left, 40° right), so you can perfectly angle your speaker
- Precision engineered. Quick and easy to fit

	White	Black
Product Code	FLXE100ACM1011	FLXE100ACM1021
UPC Number	5057964003566	5057964003573

UK, European and US (SRP)	£129.99	€129.99	\$129.99
---------------------------	---------	---------	----------

Product Specifications	Height	Width	Depth	Weight
Product Size (mm)	650mm	102mm	195mm	2.4kg
Carton Dimensions (mm)	690mm	260mm	420mm	10.8kg
Carton Contents	1 x Ceiling mount & 1 x Instructions			
Country of Manufacture	China	Outer Carton Quantity	4	