

eIC52MS

CEILING LOUDSPEAKERS


Marine / Sauna In-Ceiling Loudspeaker



PRODUCT OVERVIEW

eIC52MS is a 2 way cost-effective in-ceiling loudspeaker with a great sound performance, suitable for installations exposed to extreme humidity and/or temperature. It features a 5" woofer and a 1" tweeter, 20 WRMS @ 8 ohm nominal power.

KEY FEATURES

- Two-way speaker, 5" woofer + 1" tweeter
- 20 WRMS
- Faston male input terminals: 4.8mm (+) and 2.8mm (-)
- Suitable for installations exposed to extreme humidity and/or temperature
- EASE Win file available 

APPLICATIONS

- Saunas
- Spas
- Aquariums
- Ships
- Harbours

TECHNICAL SPECIFICATIONS

eIC52MS

System	
Effective frequency range ¹	83 Hz-20 kHz
Coverage angle ²	155°x155° (HxV)
Power handling	20 W RMS / 80 W Peak
Sensitivity ³	91 dB (1W/1m)
Maximum SLP	104 dB continuous / 110 dB peak
Recommended amplifier power	40 W RMS
Transducers	
Ways	2
Low frequency driver	5" woofer
High frequency driver	1" tweeter
Nominal impedance	8Ω
Physical	
Connection type	Faston male input terminals: 4.8mm (+) and 2.8mm (-)
Installation options	In-ceiling, in-wall
Environmental	IP54 rated
Grille fixing system	4 x Screw fixing system
External diameter	165 mm / 6.5"
Internal diameter	120 mm / 4.72"
Recommended cut out diameter	125 mm / 4.92"
Finished colour	White (RAL 9016)
Required depth	79 mm / 3.11"
Weight	0.70 kg / 1.54 lb

¹10dB below the sound pressure level at specified sensitivity

²6dB below the sound pressure level than that at the direction of maximum level, Average from 1 kHz to 4 kHz.

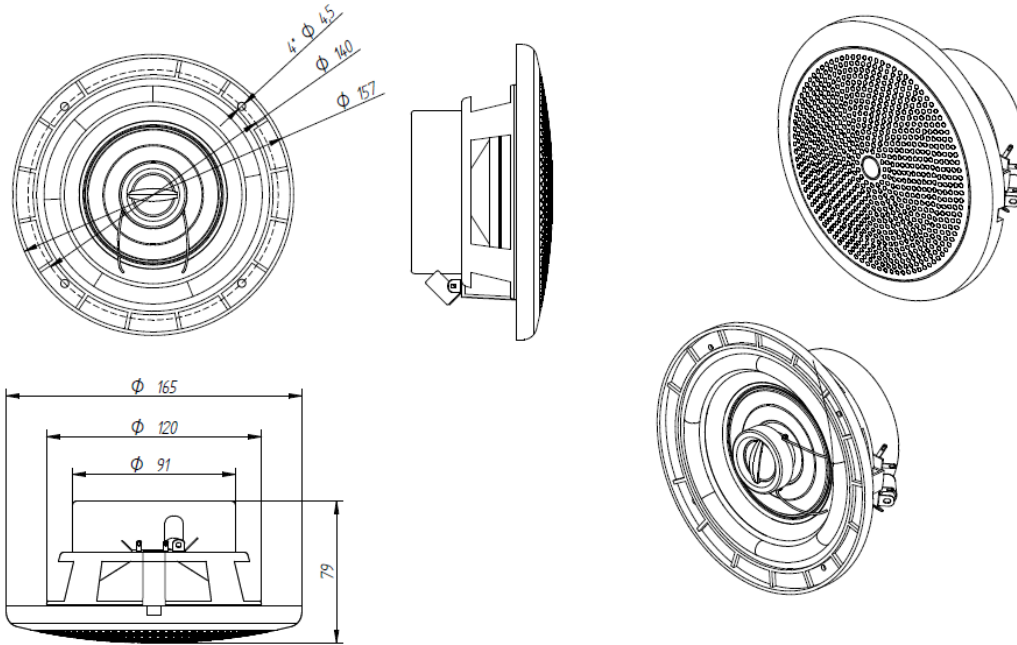
³Measured on-axis, far field and referenced to 1 meter by inverse square law. Average from 100 Hz to 10 kHz.

⁴Calculated from sensitivity and power handling specifications, exclusive of power compression

MECHANICAL DIAGRAM



Ecler eIC52MS Mechanical Diagram

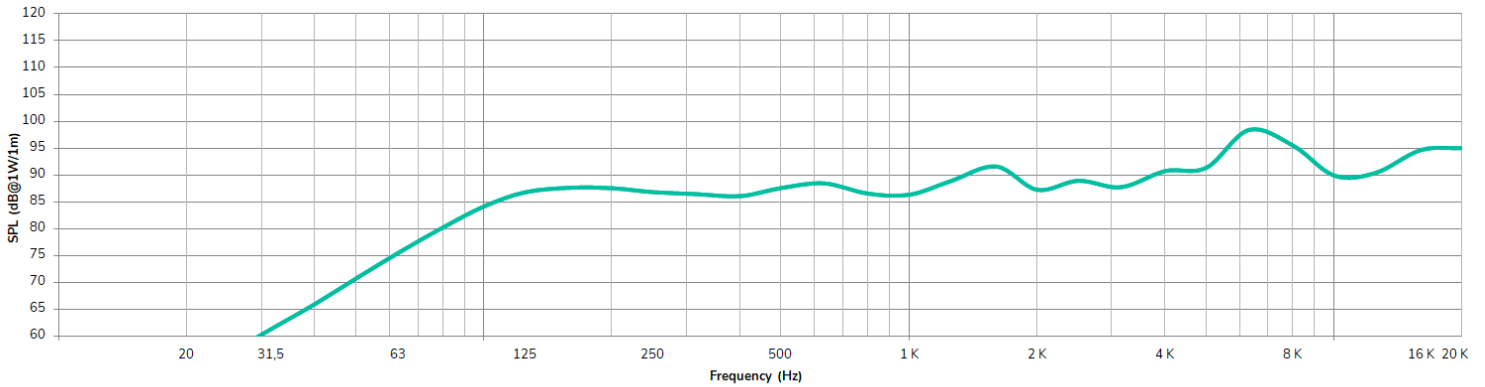


All the measurements are in mm

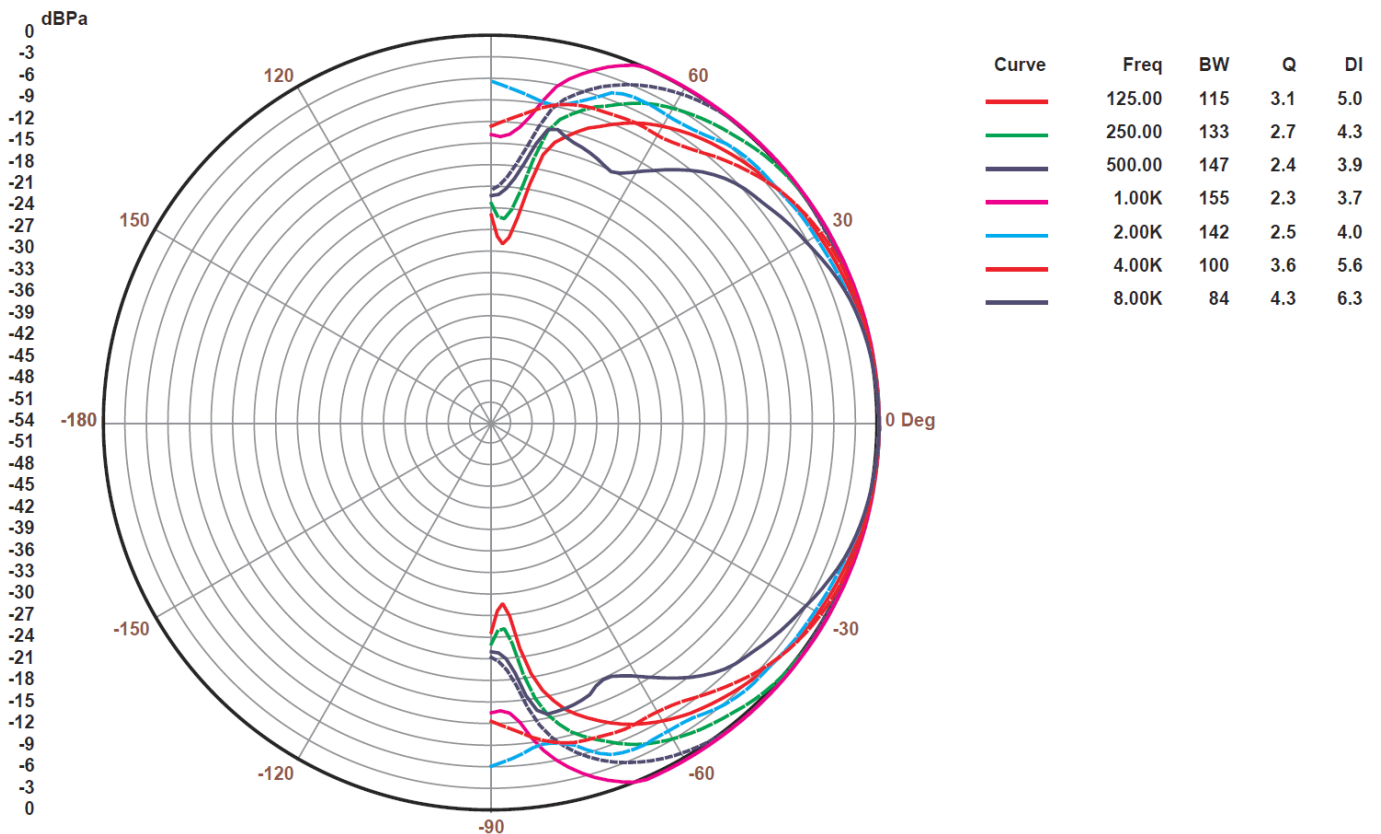
61-1113-0100

www.ecler.com

FREQUENCY RESPONSE



POLAR DIAGRAMS



All product characteristics are subject to variation due to production tolerances. **NEEC AUDIO BARCELONA S.L.** reserves the right to make changes or improvements in the design or manufacturing that may affect these product specifications.

For technical requests address to your supplier, distributor or fill the contact form in our website, at [Support / Technical Request](#).

Motors, 166-168 08038 Barcelona - Spain - (+34) 932238403 | information@ecler.com | www.ecler.com